

Main Index

GSL Index	Index	Page 01
Profiles		
A GSL	Specification Pages	Page A02-A06
	Technical Information	Page A07-A09
	Scale Profile Drawings	Page A10-A16
Accessories		
B GSL	Photos & Drawings	Page B01-B16
Sections		
C GSL	Scale Elevations	Page C01-C15
Statics		
D GSL	Page D01-12
Construction Drawings		
E GSL	1 - Corner Jointing & Punch Tool Preps.....	Page E02-E06
	2 - Drainage.....	Page E07
	3 - Locking Hardware.....	Page E08-E09
	4 - Sash Assembly, Gaskets & Glazing.....	Page E10-E14
	5 - Coupling.....	Page E15
Sawing Tables		
F GSL	Cutting Information	Page F01-04

Specification

GENERAL DESCRIPTION

The Slide 2000 system is suitable for patio doors as well as horizontal sliding windows and achieves excellent U values inline with the current Building Regulations.

The system is suitable for replacement windows/doors in existing buildings and for installation into new buildings.

Slide 2000 provides the option of multi-point locking for patio doors and single point-locking for horizontal sliding windows.

Assembly of the outerframe is with mechanical cleats for which the holes are prepped using punch tools & sashes are screwed together around the glass and gasket.

RECOMMENDED DESIGN LIMITATIONS

Maximum Sash Weight:	200kg (using ACGSL505 rollers)
Maximum Sash Height:	2100mm
Minimum Sash Height:	382mm
Maximum Sash Width:	Providing sashes are within the above limitations there is no maximum width

Please see pages D01-D03 for more guidance on vent sizes & limitations.

Specification

PROFILE SPECIFICATION

The frames are constructed of aluminium alloy extrusion to BS EN 755-9 and BS EN 12020, extruded from 6063 T6 alloy. The internal and external extrusions are separated with a polyamide thermal break.

The external aluminium alloy extrusion is pre-treated and finished either:-

- a) Anodised to BS 3987: 1987, grade AA25 to a natural self colour.
- b) Polyester powder organic coating to BS 6496. Dual colour is available.

GENERAL MANUFACTURING

Outer frames are made by cutting the frame profiles with accurate 45° mitred ends using Tungsten Carbide Tipped Saw Blades, operating at approximately 3000 rpm.

The corner joints can be made using mechanically fixed corner cleats by punching the corners using the relevant punch tooling shown in section E of this manual. All joints should be sealed using ACSIL04 sealant

The sash joints are made using self tapping stainless steel screws. The holes for which can be made using the relevant punch tooling shown in section E of this manual.

All sash members are built around the glazing and gasket.

On polyester powder coated finishes, great care should be taken to avoid getting gap sealer on visible surfaces and should be removed as soon as possible with a clean cloth.

Care should be exercised when using products not supplied by Smart Systems Ltd as no responsibility can be accepted.

Specification

DRAINAGE

As with all dry glazed systems, it is recommended that the profiles are adequately drained and ventilated. Refer to drainage details in section E of this manual, if in doubt, ask the Technical Department.

In order to get maximum performance and weather resistance it is recommended that drips are used over all vents.

OUTER FRAME MANUFACTURING INFORMATION

The outer frame members are cut with 45° mitred ends to the overall size required, measured to the longest point of the metal.

Corners are formed by coating the cut faces to be joined with ACSIL04 small gap sealer and by applying ACSIL013 cleat glue into the cleat chamber. Into the mitred corner insert the required corner cleats and, where required, the aluminium corner chevrons. The two mitred ends are then brought together and mechanically joined. The small gap sealer ensures a permanent joint and guards against the ingress of moisture and joint movement. After joining the corners, special care should be taken to ensure any excess sealer is removed from painted surfaces.

VENTS

The glazing gasket should be wrapped around the unit and finished with a neat butt joint to the middle at the top of the unit. The joint should then be glued using a fast-acting sealant.

Horizontal rails are coated with ACSIL04 small gap sealant and tapped into position on the double glazed unit using a rubber mallet to avoid distorting the profile. Vertical profiles are then tapped into position using the same method. Any excess sealant should then be carefully removed.

The joints are made using self tapping stainless steel screws. The holes for which can be made using the relevant punch tooling shown in section E of this manual.

Specification

LOCKING

The vertical members should be prepped for the locking mechanism prior to fabrication and fitted before assembly. Stainless steel fixings shall be used for securing the locking mechanism and keeps in position.

GLAZING

Glass is secured in position using a wrap around gasket with the vent profiles assembled around the unit.

Glazing can be 24mm, 28mm or 32mm by selecting the relevant gasket.

Slide 2000 Weather Performance (BS6375-1)

BS EN 1026: 2000 Air Permeability:	TBA
BS EN 1027: 2000 Watertightness:	TBA
BS EN 12211: 2000 Resistance to Wind Load:	TBA

Slide 2000 U Values

Please refer to the Smart Systems' Document L White Paper or contact the Technical Department.

Specification

Bulletin

ACGSL503N

The design of the ACGSL503 rollers has changed as shown below.

The new design incorporates a one-part casing and is installed in the same way as the original.

New

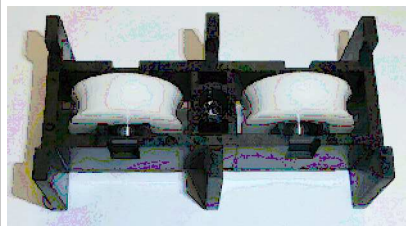
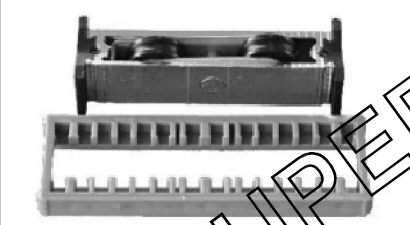
Image	Part Code	Pack	Unit
	ACGSL503N Fixed Double Roller Max. Weight: 160kg per/sash	4	pack

Image	Part Code	Pack	Unit
	ACGSL503 Fixed Double Roller Max. Weight: 160kg per/sash	4	pack

SUPERSEDED

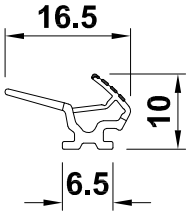
Bulletin

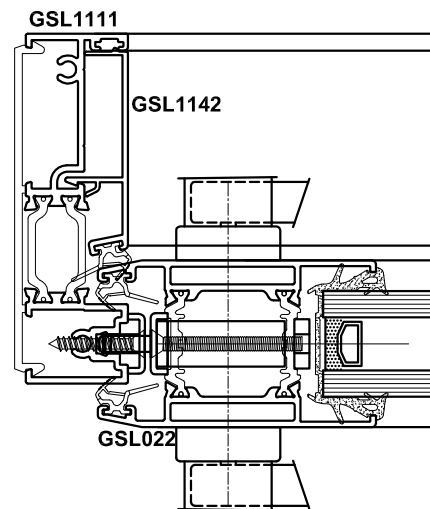
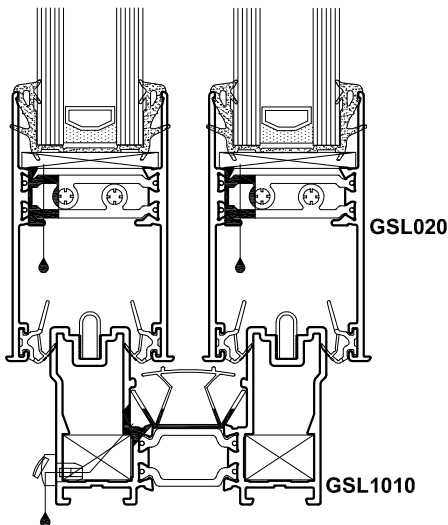
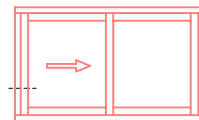
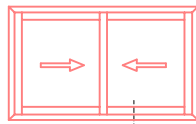
ACGSL1042

New frictionless gasket for Slide 2000 & Slide Mono which may be used as an alternative to ACGSL042 woolpile.

Advantages:

- **Neat appearance**
- **Wipe clean surface**
- **Quieter operation**

Image	Part Code	Pack	Unit
	ACGSL1042 Frictionless Gasket Colour: Grey with Black frictionless strips	250	m

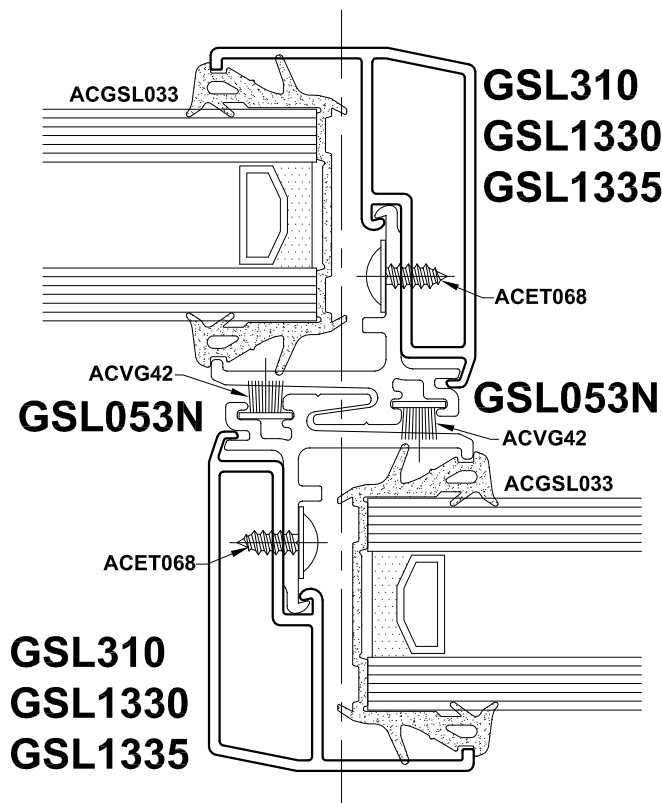
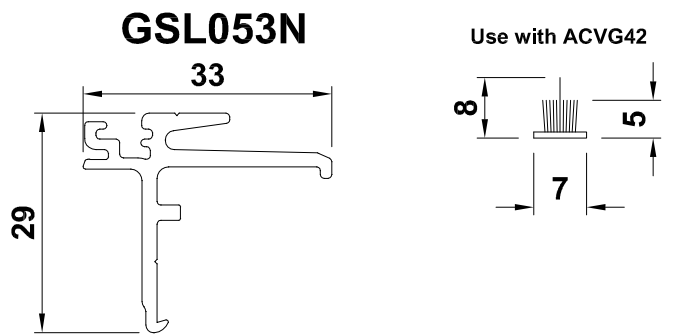


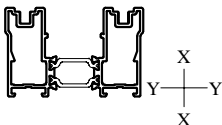
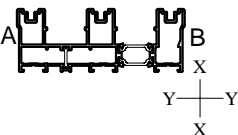
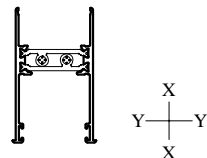
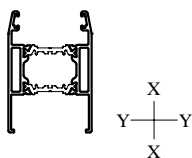
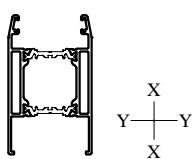
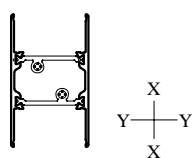
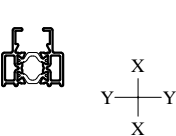
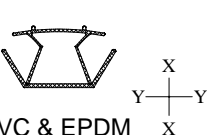
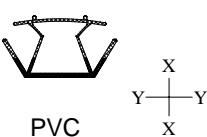
Bulletin

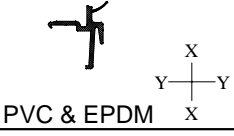
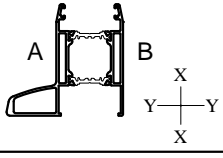
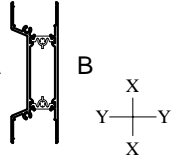
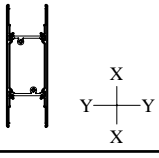
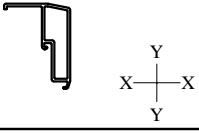
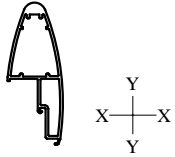
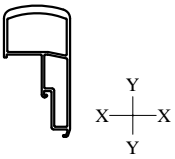
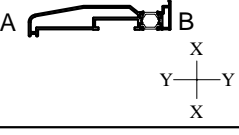
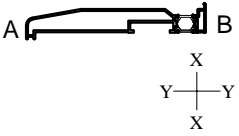
GSL053N

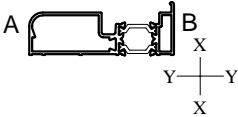
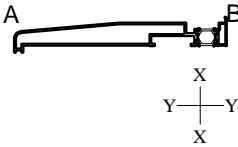
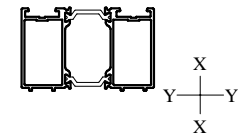
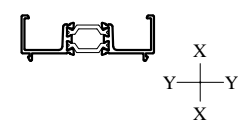
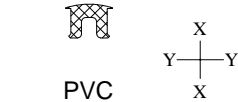
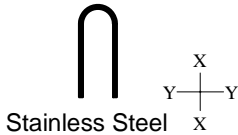
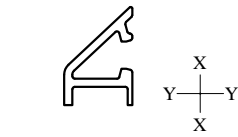
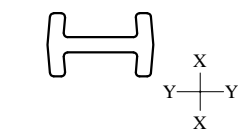
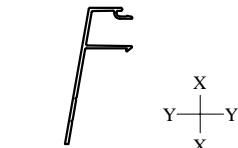
**GSL053N supersedes GSL053 with immediate effect.
GSL053N is produced using polyamide which is stronger than the original
PVC version & offers tighter tolerances for an improved grip on the glass.**

Number	Perim. mm	Mec. mm	Ix(cm4) wx(cm3)	Iy(cm4) wy(cm3)	Length	Pack pr.	MF	SA	KL	HP	M
GSL053N	-	-	- - -	- - -	6.6	1	✓				



Number	Picture	Page	Perim. mm	Mec. mm	lx(cm4) wx(cm3)	ly(cm4) wy(cm3)	Length	Pack pr.	MF	SA	KL	HP	M	
GSL1010		A10	377	212	38.33 ----- 14.80	10.50 ----- 6.78	6.5	1	✓	✓	✓	✓	✓	
GSL1012		A10	595	289	167.45 ----- 26.28	22.62 ----- 10.40	6.5	1	✓	✓	✓	✓	✓	
GSL020		A11	387	159	11.70 ----- 5.28	12.01 ----- 3.27	6.5	1	✓	✓	✓	✓	✓	
GSL021		A12	380	141	13.69 ----- 6.21	9.89 ----- 2.94	6.5	1	✓	✓	✓	✓	✓	
GSL022		A12	418	160	15.88 ----- 7.20	15.92 ----- 4.13	6.5	1	✓	✓	✓	✓	✓	
GSL030		A13	349	145	10.85 ----- 5.30	9.23 ----- 2.64	6.5	1	✓	✓	✓	✓	✓	
GSL040		A14	228	84	2.70 ----- 1.67	1.68 ----- 0.93	6.5	1	✓	✓	✓	✓	✓	
GSL050	 PVC & EPDM	A14	-	-	- ----- -	- ----- -	6.6	1	✓					
GSL051	 PVC	A14	-	-	- ----- -	- ----- -	6.6	1	✓					
								A = Outside B = Inside		GOZ = Gold W = White Z = Black		MF = Mill Finish SA = Silver Anodised KL = Basic Colour HP = Special Colour M = Dual Colour		

Number	Picture	Page	Perim. mm	Mec. mm	lx(cm4) wx(cm3)	ly(cm4) wy(cm3)	Length	Pack pr.	MF	SA	KL	HP	M		
GSL053	 PVC & EPDM	A14	-	-	- ----- -	- ----- -	6.6	1	✓						
GSL122		A13	474	216	36.59 ----- 8.6	27.16 ----- 6.27	6.5	1	✓	✓	✓	✓	✓		
GSL1130		A16	653	271	14.39 ----- 6.03	69.88 ----- 11.27	5	1	✓	✓	✓	✓	✓		
GSL1131		A16	570	253	23.79 ----- 11.63	80.58 ----- 13.00	5	1	✓	✓	✓	✓	✓		
GSL310		A15	170	83	3.79 ----- 1.39	1.48 ----- 0.59	6.5	1	✓	✓	✓	✓			
GSL1330		A15	248	162	38.86 ----- 7.38	7.38 ----- 3.83	6.5	1	✓	✓	✓	✓			
GSL1335		A15	215	127	16.63 ----- 3.66	5.22 ----- 3.83	6.5	1	✓	✓	✓	✓			
ETC157N		A19	464	247	-	-	6.5	1	✓	✓	✓	✓	✓		
ETC158N		A19	544	278	-	-	6.5	1	✓	✓	✓	✓	✓		
									A = Outside B = Inside		GOZ = Gold W = White Z = Black		MF = Mill Finish SA = Silver Anodised KL = Basic Colour HP = Special Colour M = Dual Colour		

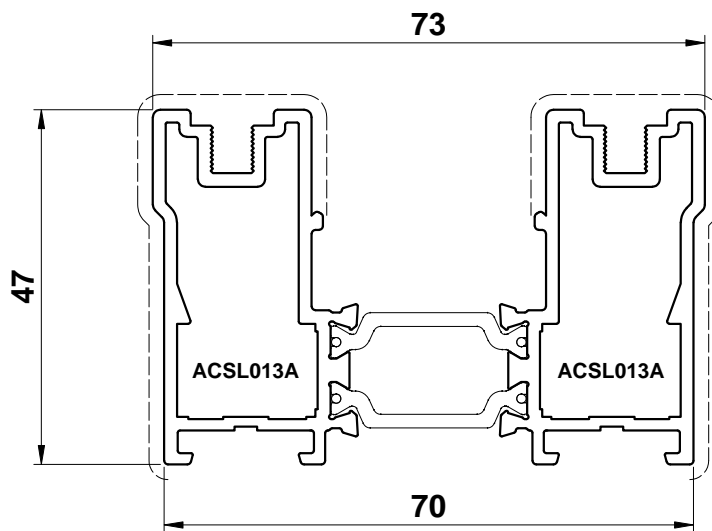
Number	Picture	Page	Perim. mm	Mec. mm	lx(cm4) wx(cm3)	ly(cm4) wy(cm3)	Length	Pack pr.	MF	SA	KL	HP	M
ETC178		A18	305	98	-	-	6.5	1	✓	✓	✓	✓	✓
ETC179		A19	626	348	-	-	6.5	1	✓	✓	✓	✓	✓
DV515		A18	355.7	85.2	27.2 ----- 7.8	14.4 ----- 6.8	6.5	1	✓	✓	✓	✓	✓
DV559		A18	305.1	20.6	14.7 ----- 4.2	1.3 ----- 1.2	6.5	1	✓	✓	✓	✓	✓
VG52	 PVC	A17	-	-	- ----- -	- ----- -	6.5	1	✓				
VG53	 Stainless Steel	A17	-	-	- ----- -	- ----- -	6.5	1	✓				
VL72		A17	101	32	- ----- -	- ----- -	6.5	5	✓	✓	✓	✓	
VL75		A17	55	-	- ----- -	- ----- -	6.5	10	✓				
VG90		A17	212	77	- ----- -	- ----- -	6	6	✓	✓	✓	✓	
								A = Outside B = Inside	GOZ = Gold W = White Z = Black	MF = Mill Finish SA = Silver Anodised KL = Basic Colour HP = Special Colour M = Dual Colour			

Primary Visible Side

Secondary Visible Side

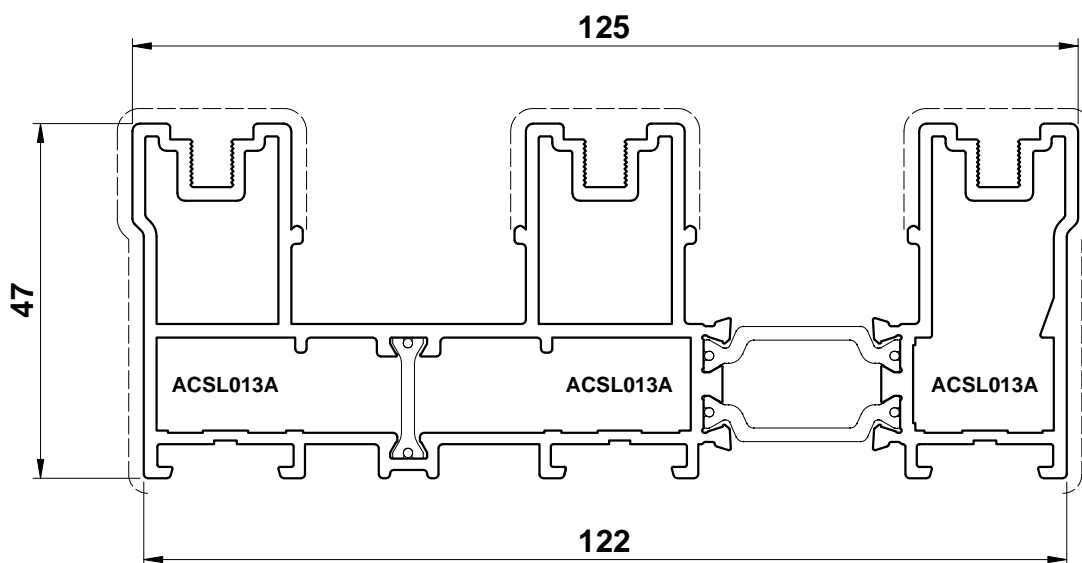
GSL1010

Two Track Outer Frame



GSL1012

Three Track Outer Frame



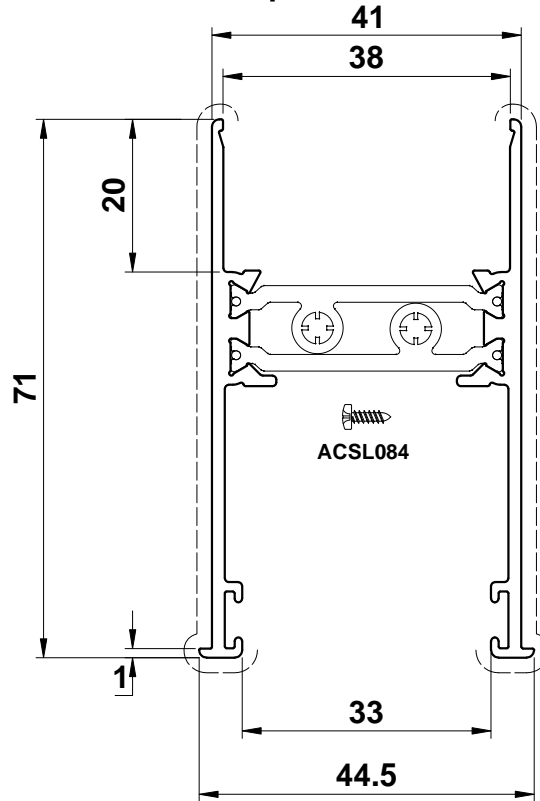
Scale 1:1

Primary Visible Side

Secondary Visible Side

GSL020

Top & Bottom Rail

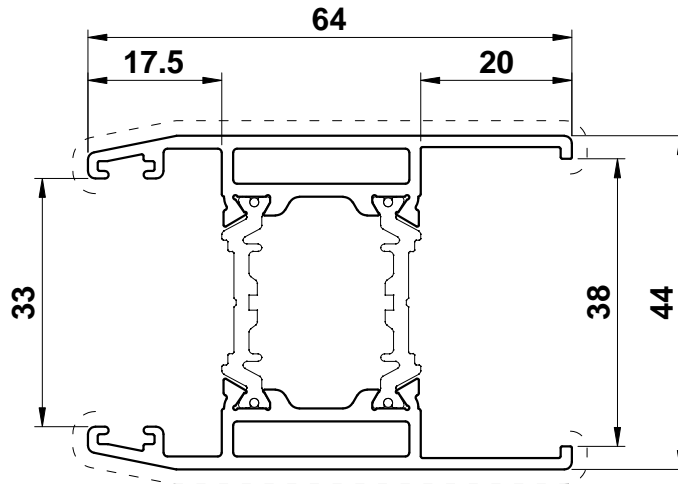


Scale 1:1

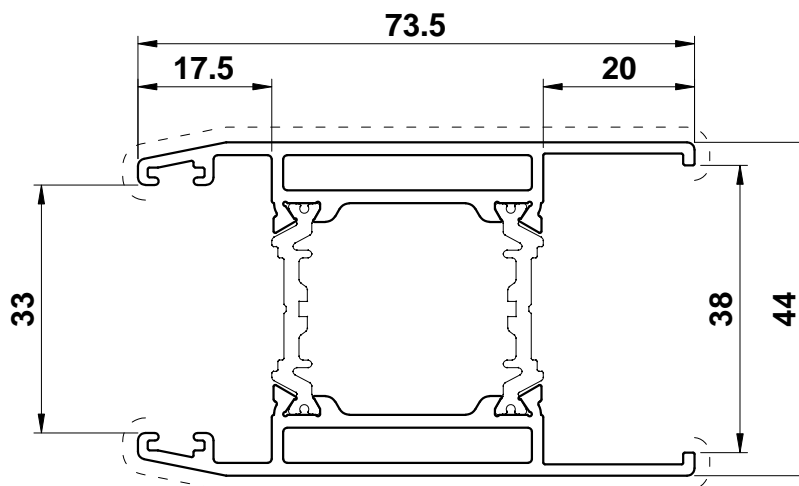
Primary Visible Side

Secondary Visible Side

GSL021
Narrow Locking Stile



GSL022
Standard Locking Stile

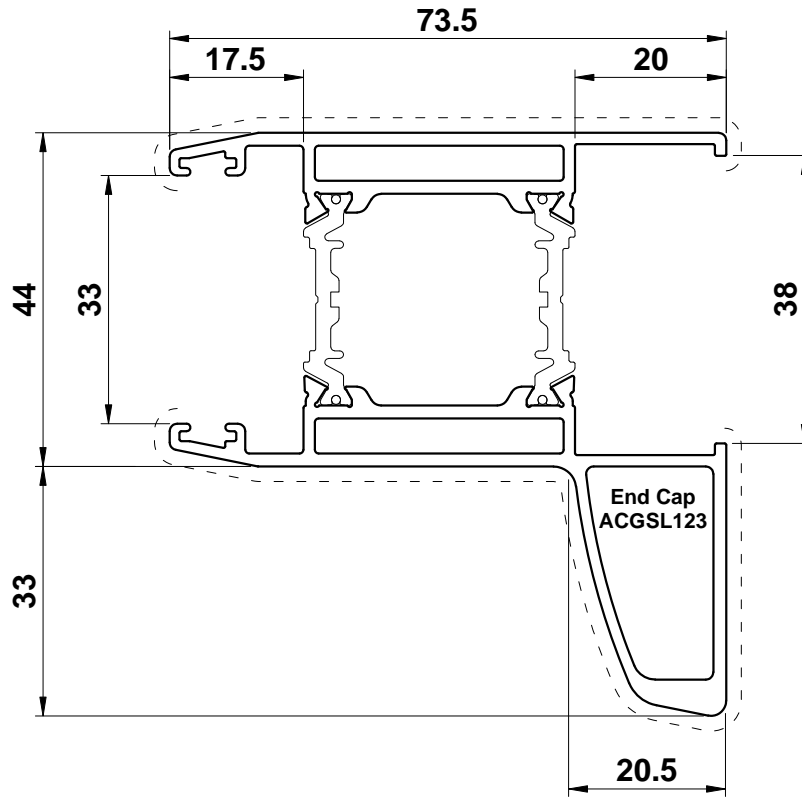


Scale 1:1

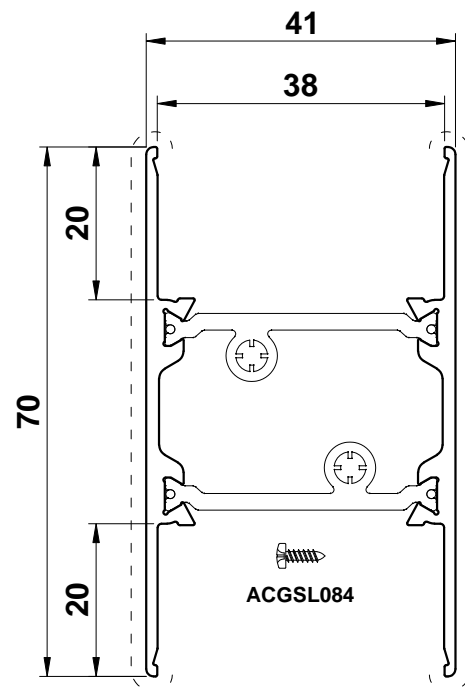
Primary Visible Side

Secondary Visible Side

GSL122
Reinforced Locking Stile



GSL030
Mid Rail

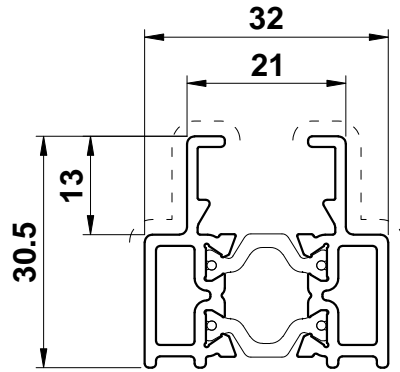


Scale 1:1

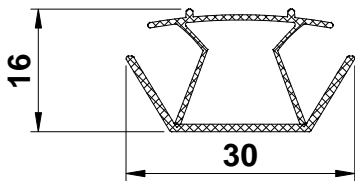
Primary Visible Side

Secondary Visible Side

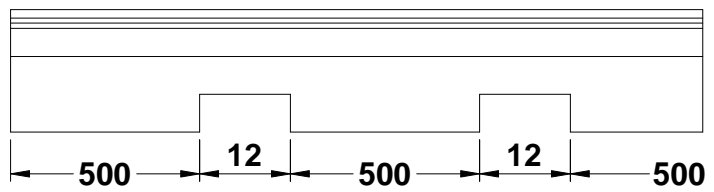
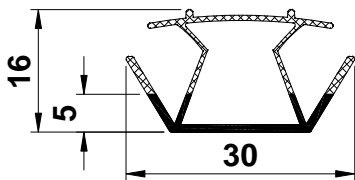
GSL040
Meeting Stile Section



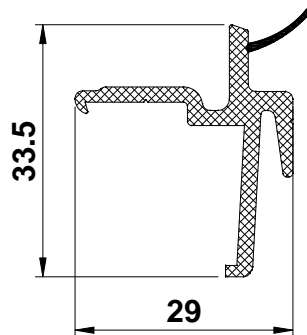
GSL050
Channel Infill



GSL051
Cill Channel Infill



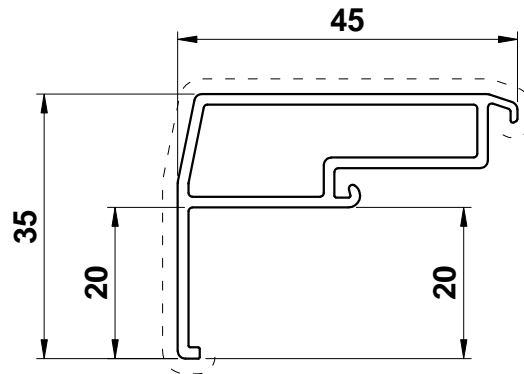
GSL053
PVC Interlock



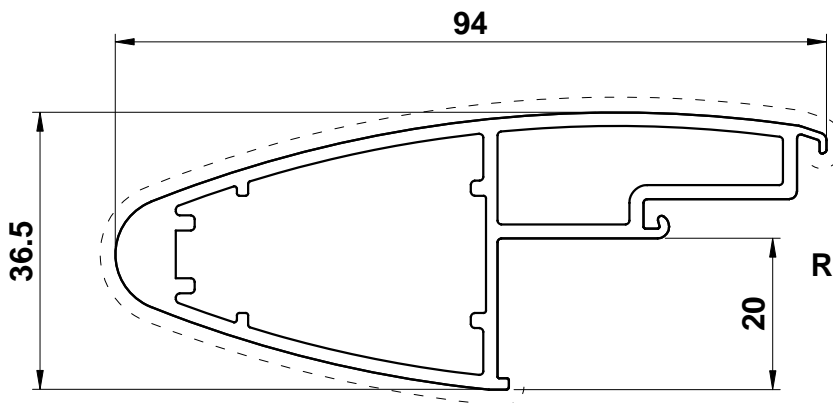
Scale 1:1

Primary Visible Side

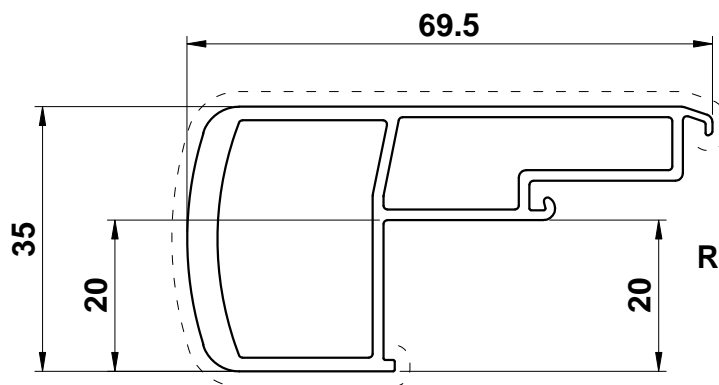
Secondary Visible Side



GSL310
Interlock



GSL1330
Reinforced Interlock



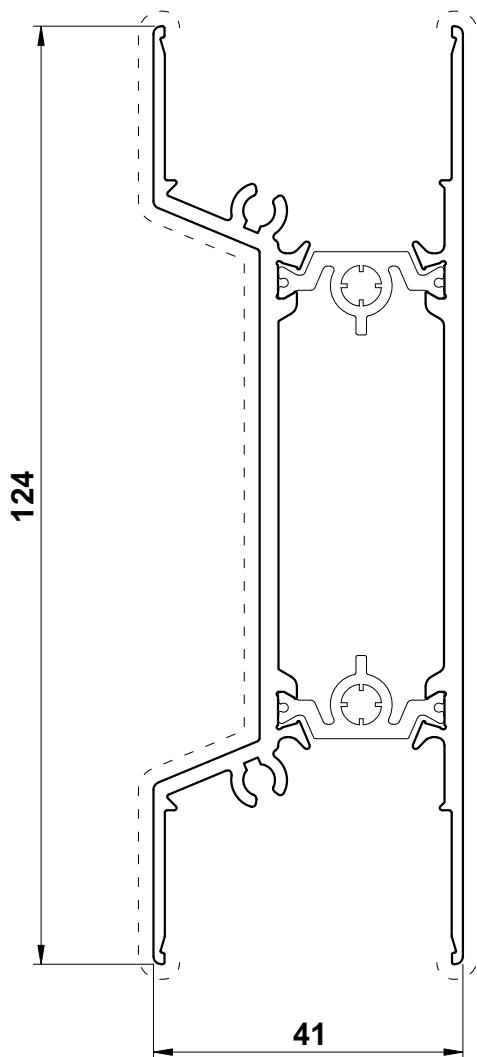
GSL1335
Reinforced Interlock

Scale 1:1

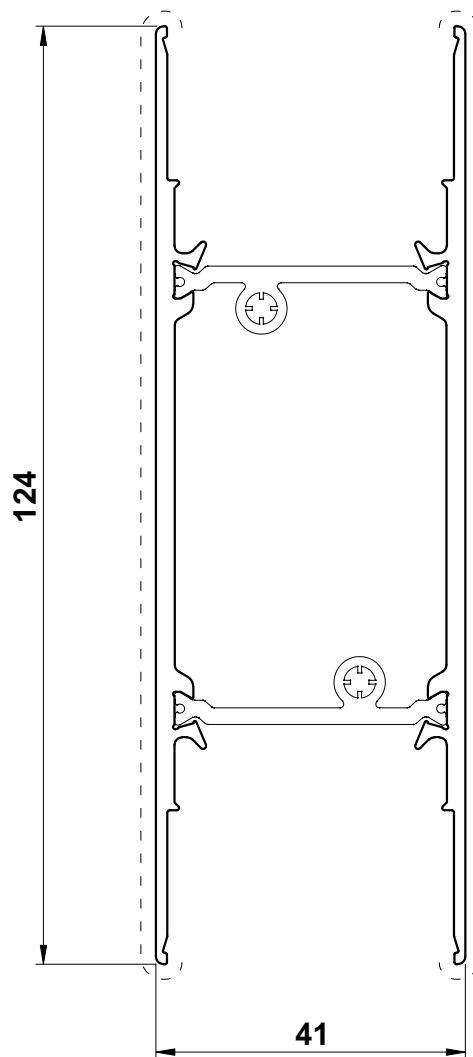
Primary Visible Side

Secondary Visible Side

GSL1130
Mid-Rail for Letter Plate



GSL1131
Mid-Rail

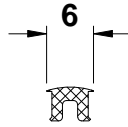


Scale 1:1

Primary Visible Side

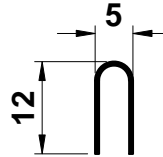
Secondary Visible Side

VG52
PVC Infill

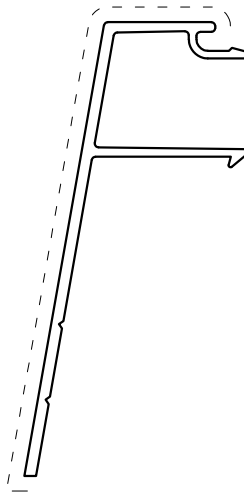


PVC

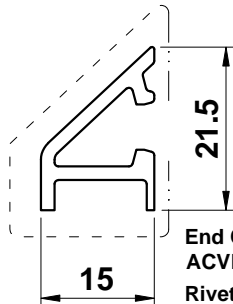
VG53
Stainless Steel Track



VG90
Coupling Piece

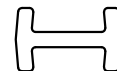


VL72
Weather Drip



End Caps:
ACVL059
Rivets:
ACVL061

VL75
Coupling Piece



Scale 1:1

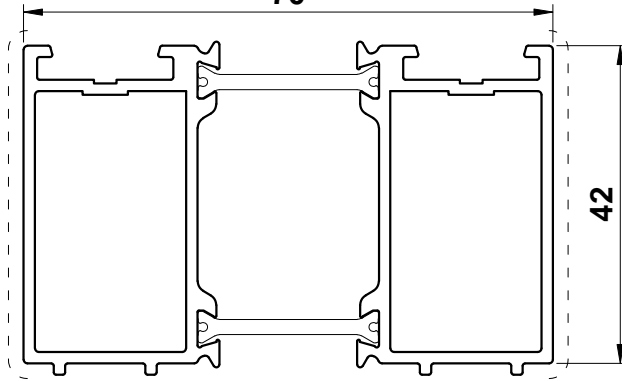
Primary Visible Side

Secondary Visible Side

DV515

42mm Head Extension

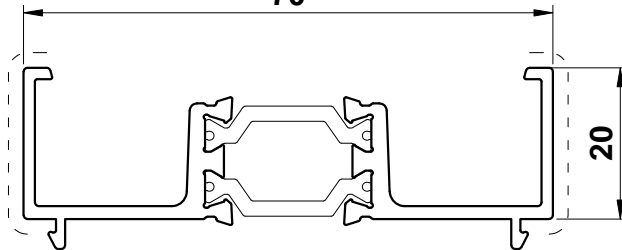
70



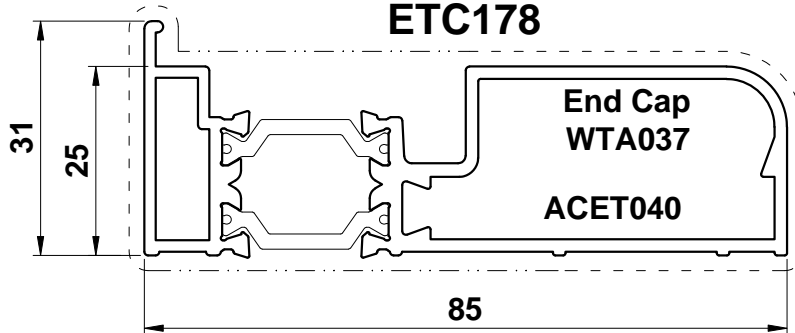
DV559

20mm Head Extension

70

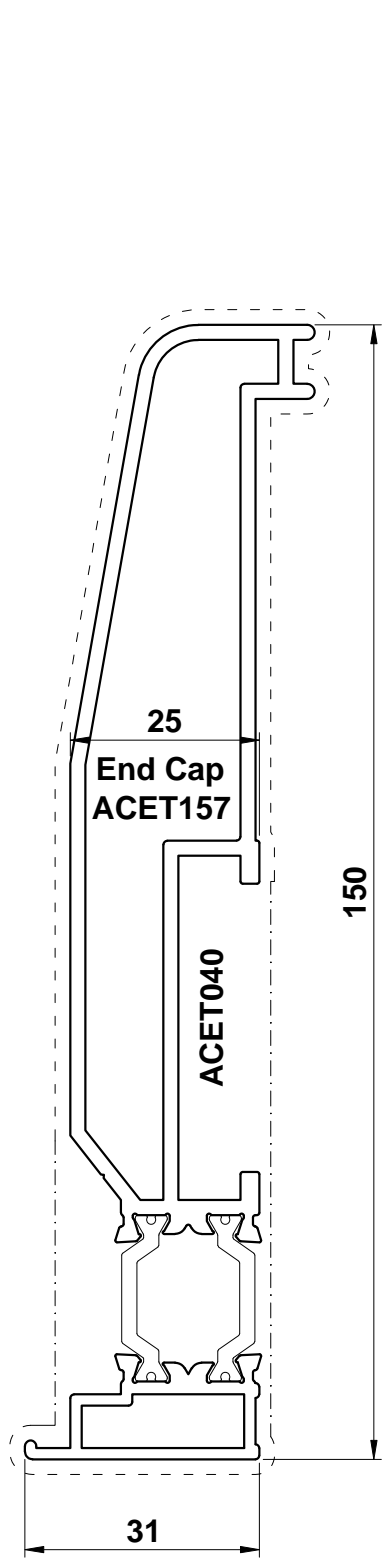


ETC178

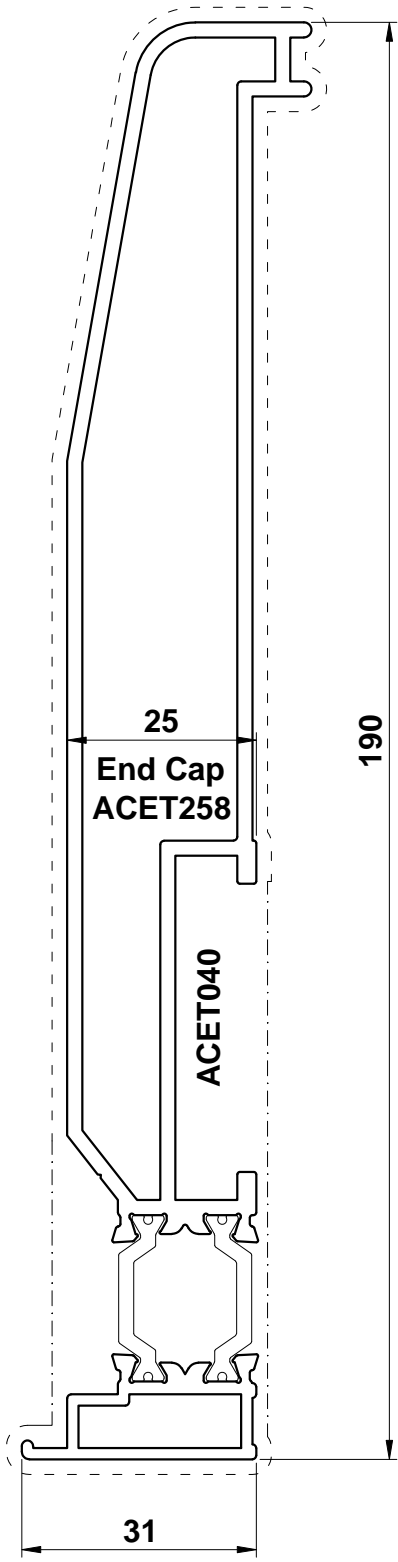


Scale 1:1

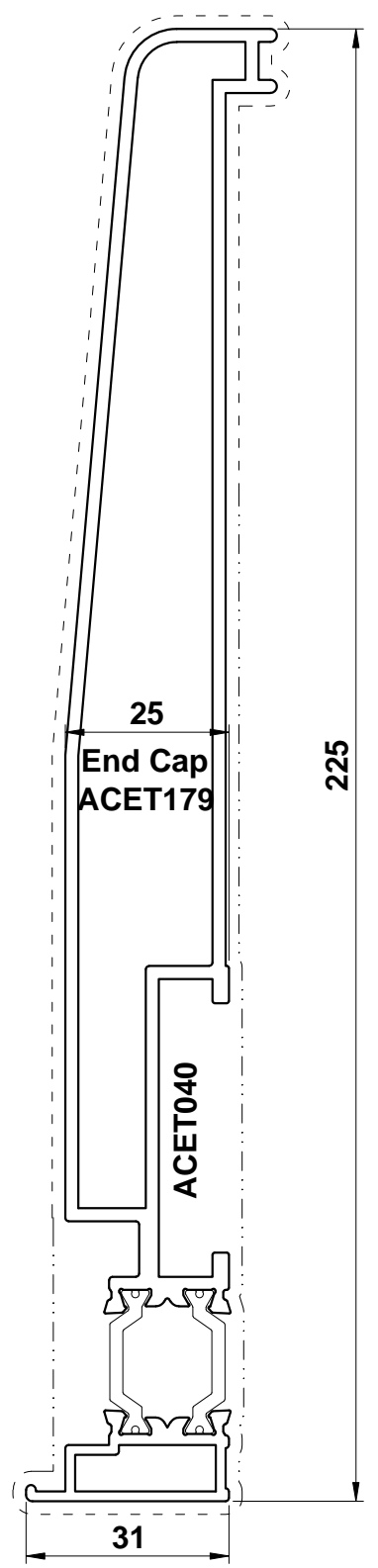
Primary Visible Side ----- Secondary Visible Side -----



ETC157N
150mm Cill



ETC158N
190mm Cill



ETC179
NB: This Profile Only -
SCALED TO FIT

Scale 1:1

Primary Visible Side

Scale 1:1

Section B

Image	Part Code	Pack	Unit	Application	Colour	
	ACSL013A Mechanical Cleat	1 24	each pack	GSL1010 GSL1012	MF	
					SA	
					KL	
					HP	
					M	
					GOZ	
					W	
					Z	
					PC	
	ACSL180 Cast Handle Set	1	each	GSL022 ACGSL1174 ACMX01615	MF	
					SA	
					KL	
					HP	
					M	
					GOZ	✓
					W	✓
					Z	
					PC	✓
	ACSL181 Aluminium Handle Set	1	each	GSL022 ACGSL1174 ACMX01615	MF	
					SA	✓
					KL	
					HP	
					M	
					GOZ	
					W	
					Z	✓
					PC	
	ACSL182 Dummy Handle Set for ACSL180	1	each	GSL022 ACGSL1174	MF	
					SA	
					KL	
					HP	
					M	
					GOZ	✓
					W	✓
					Z	
					PC	✓
	ACSL183 Dummy Handle Set for ACSL181	1	each	GSL022 ACGSL1174	MF	
					SA	✓
					KL	
					HP	
					M	
					GOZ	
					W	
					Z	✓
					PC	
 <small>T-BARS ACVG65=2.5mm ACVG66=3.0mm ACVL150=4.0mm</small>	 <small>Screw (Grub)</small>	MF = Mill Finish GOZ = Gold SA = Silver Anodised PC = Polished Chrome KL = Basic Colour W = White HP = Special Colour Z = Black M = Dual Colour				

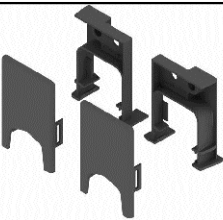
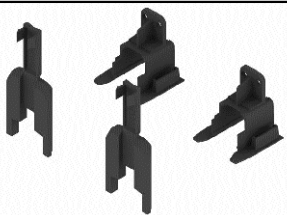
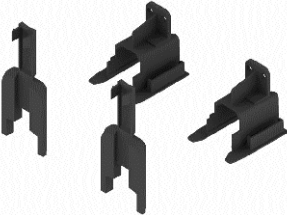




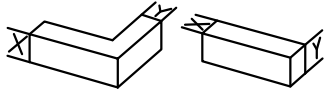
Image	Part Code	Pack	Unit	Application	Colour	
	ACGSL020 End Caps for Rail Cut Out	1	pack	GSL310 GSL1330	MF	
					SA	
					KL	
					HP	
					M	
					GOZ	
					W	
					Z	
PC						
	ACGSL021 End Caps	1	pack	GSL021	MF	
					SA	
					KL	
					HP	
					M	
					GOZ	
					W	
					Z	
PC						
	ACGSL022 End Caps	1	pack	GSL022	MF	
					SA	
					KL	
					HP	
					M	
					GOZ	
					W	
					Z	
PC						
	ACGSL032 24mm Glazing Gasket	25	m	GSL020 GSL021 GSL022 GSL030 GSL310 GSL1330	MF	
					SA	
					KL	
					HP	
					M	
					GOZ	
					W	
					Z	
PC						
	ACGSL032G 24mm Glazing Gasket - Grey	25	m	GSL020 GSL021 GSL022 GSL030 GSL310 GSL1330	MF	
					SA	
					KL	
					HP	
					M	
					GOZ	
					W	
					Z	
PC						
 T-BARS ACVG65=2.5mm ACVG66=3.0mm ACVL150=4.0mm	 Screw (Grub)	MF = Mill Finish SA = Silver Anodised KL = Basic Colour HP = Special Colour M = Dual Colour		GOZ = Gold PC = Polished Chrome W = White Z = Black		








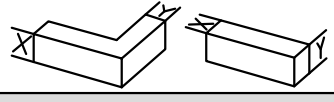
Image	Part Code	Pack	Unit	Application	Colour
	ACGSL033 28mm Glazing Gasket	25	m	GSL020 GSL021 GSL022 GSL030 GSL310 GSL1330	MF
					SA
					KL
					HP
					M
					GOZ
					W
					Z
PC					
	ACGSL033G 28mm Glazing Gasket - Grey	25	m	GSL020 GSL021 GSL022 GSL030 GSL310 GSL1330	MF
					SA
					KL
					HP
					M
					GOZ
					W
					Z
PC					
	ACGSL034 32mm Glazing Gasket	25	m	GSL020 GSL021 GSL022 GSL030 GSL310 GSL1330	MF
					SA
					KL
					HP
					M
					GOZ
					W
					Z
PC					
	ACGSL034G 32mm Glazing Gasket - Grey	25	m	GSL020 GSL021 GSL022 GSL030 GSL310 GSL1330	MF
					SA
					KL
					HP
					M
					GOZ
					W
					Z
PC					
	ACGSL040 End Cap	1	each	GSL040	MF
					SA
					KL
					HP
					M
					GOZ
					W
					Z
PC					
 T-BARS ACVG65=2.5mm ACVG66=3.0mm ACVL150=4.0mm	 Screw (Grub)	MF = Mill Finish SA = Silver Anodised KL = Basic Colour HP = Special Colour M = Dual Colour	GOZ = Gold PC = Polished Chrome W = White Z = Black		








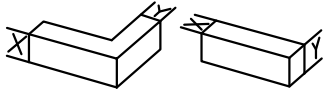
Image	Part Code	Pack	Unit	Application	Colour
	ACGSL042 Woolpile	100	m	GSL020 GSL021 GSL022	MF
					SA
					KL
					HP
					M
					GOZ
					W
					Z
PC					
	ACGSL045 Drainage Cover Cap	100	pack	GSL1010 GSL1012	MF
					SA
					KL
					HP
					M
					GOZ
					W
					Z
PC					
	ACGSL061 Infill Gasket	150	m	GSL040	MF
					SA
					KL
					HP
					M
					GOZ
					W
					Z
PC					
	ACGSL061G Infill Gasket - Grey	150	m	GSL040	MF
					SA
					KL
					HP
					M
					GOZ
					W
					Z
PC					
	ACGSL080 Screw	100	pack	GSL040	MF
					SA
					KL
					HP
					M
					GOZ
					W
					Z
PC					
 <small>T-BARS ACVG65=2.5mm ACVG66=3.0mm ACVL150=4.0mm</small>	 <small>Screw (Grub)</small>	MF = Mill Finish GOZ = Gold SA = Silver Anodised PC = Polished Chrome KL = Basic Colour W = White HP = Special Colour Z = Black M = Dual Colour			



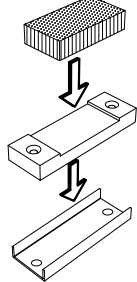
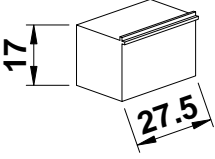
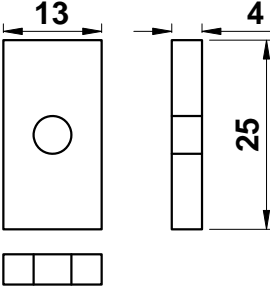


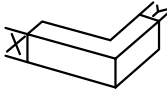
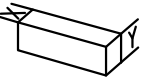
Image	Part Code	Pack	Unit	Application	Colour
	ACGSL084 Sash Screw	100	pack	GSL020 GSL021 GSL021 CSL030	MF
					SA
					KL
					HP
					M
					GOZ
					W
					Z
					PC
	ACGSL304 Guide to Locate Locking Stile to Outer Frame	2	pack	GSL1010 GSL1012 GSL021 GSL022	MF
					SA
					KL
					HP
					M
					GOZ
					W
					Z
					PC
	ACGSL1030 Interlock Plugs (One Pair Per Pack)	1	pair	GSL1010 GSL1012	MF
					SA
					KL
					HP
					M
					GOZ
					W
					Z
					PC
	ACGSL1050 Corner Blocks to Join GSL050 & GSL051	24	pack	GSL1010 GSL1012 GSL050 GSL051	MF
					SA
					KL
					HP
					M
					GOZ
					W
					Z
					PC
	ACGSL1170 Fixing Plate	12	each	ACGSL1174 ACSG071 GSL040 ACDV265	MF
					SA
					KL
					HP
					M
					GOZ
					W
					Z
					PC
 <small>T-BARS ACVG65=2.5mm ACVG66=3.0mm ACVL150=4.0mm</small>	 <small>Screw (Grub)</small>	MF = Mill Finish GOZ = Gold SA = Silver Anodised PC = Polished Chrome KL = Basic Colour W = White HP = Special Colour Z = Black M = Dual Colour		 	

Image	Part Code	Pack	Unit	Application Colour																		
	<p>ACGSL1171</p> <p>Fixing Plate for ACGSL1174 keep</p>	<p>10</p>	<p>each</p>	<p>ACGSL1174 ACET122</p> <table border="1"> <tr><td>MF</td><td></td></tr> <tr><td>SA</td><td></td></tr> <tr><td>KL</td><td></td></tr> <tr><td>HP</td><td></td></tr> <tr><td>M</td><td></td></tr> <tr><td>GOZ</td><td></td></tr> <tr><td>W</td><td></td></tr> <tr><td>Z</td><td></td></tr> <tr><td>PC</td><td></td></tr> </table>	MF		SA		KL		HP		M		GOZ		W		Z		PC	
MF																						
SA																						
KL																						
HP																						
M																						
GOZ																						
W																						
Z																						
PC																						
	<p>ACSG1174</p> <p>Multi-point Lock</p> <p>Can be cut down to 600mm leaving two locking points</p>	<p>1</p>	<p>Each</p>	<p>GSL022 ACSL180 ACSL181</p> <table border="1"> <tr><td>MF</td><td></td></tr> <tr><td>SA</td><td></td></tr> <tr><td>KL</td><td></td></tr> <tr><td>HP</td><td></td></tr> <tr><td>M</td><td></td></tr> <tr><td>GOZ</td><td></td></tr> <tr><td>W</td><td></td></tr> <tr><td>Z</td><td></td></tr> <tr><td>PC</td><td></td></tr> </table>	MF		SA		KL		HP		M		GOZ		W		Z		PC	
MF																						
SA																						
KL																						
HP																						
M																						
GOZ																						
W																						
Z																						
PC																						
<p>T-BARS ACVG65=2.5mm ACVG66=3.0mm ACVL150=4.0mm</p> <p>Screw (Grub)</p>	<p>MF = Mill Finish SA = Silver Anodised KL = Basic Colour HP = Special Colour M = Dual Colour</p> <p>GOZ = Gold PC = Polished Chrome W = White Z = Black</p>																					

Image	Part Code	Pack	Unit	Application	Colour
	ACGSL1180 Screw Cover Cap	10	each	ACGSL1174 ACET122	MF SA KL HP M GOZ W ✓ Z ✓ PC
	ACGSL1330 End Cap for GSL1330	10	pairs	GSL1330	MF SA KL HP M GOZ W Z ✓ PC
	ACGSL1335 End Cap for GSL1335	10	pairs	GSL1335	MF SA KL HP M GOZ W Z ✓ PC
					MF SA KL HP M GOZ W Z PC
	ACGSL400 26mm Spindle & Screws for Single Side Handle Fixing	1	pack	ACGSL408 ACGSL409 ACGSL426 ACGSL427	MF SA KL HP M GOZ W Z PC
		MF = Mill Finish SA = Silver Anodised KL = Basic Colour HP = Special Colour M = Dual Colour	GOZ = Gold PC = Polished Chrome W = White Z = Black		

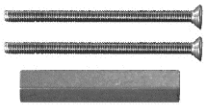

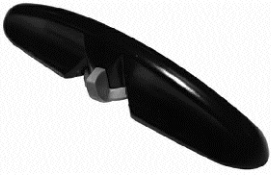




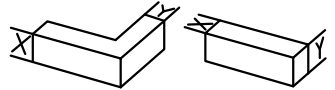
Image	Part Code	Pack	Unit	Application	Colour
	ACGSL401 47mm Spindle & Screws for Back to Back Handle Fixing	1	pack	ACGSL406 ACGSL408 ACGSL409 ACGSL426 ACGSL427	MF
					SA
					KL
					HP
					M
					GOZ
					W
					Z
PC					
	ACGSL405 Handle Anti-Rotation Pin	10	pack	ACGSL409 ACGSL426	MF
					SA
					KL
					HP
					M
					GOZ
					W
					Z
PC					
	ACGSL406 External Handle	1	each	ACGSL401 ACGSL408 ACGSL409 ACGSL425 ACGSL426 ACGSL427 ACGSL601 ACGSL602 ACGSL603 ACGSL604	MF
					SA
					KL
					HP
					M
					GOZ
					W
					Z
PC					
	ACGSL408 Internal Handle	1	each	ACGSL400 ACGSL401 ACGSL406 ACGSL601 ACGSL602 ACGSL603 ACGSL604	MF
					SA
					KL
					HP
					M
					GOZ
					W
					Z
PC					
	ACGSL409 Internal Handle	1	each	ACGSL400 ACGSL401 ACGSL405 ACGSL406 ACGSL601 ACGSL602 ACGSL603 ACGSL604	MF
					SA
					KL
					HP
					M
					GOZ
					W
					Z
PC					
 <small>T-BARS ACVG65=2.5mm ACVG66=3.0mm ACVL150=4.0mm</small>	 <small>Screw (Grub)</small>	MF = Mill Finish GOZ = Gold SA = Silver Anodised PC = Polished Chrome KL = Basic Colour W = White HP = Special Colour Z = Black M = Dual Colour			




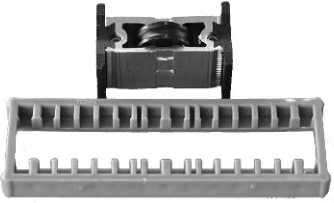
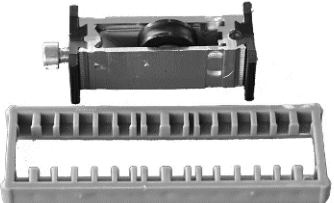


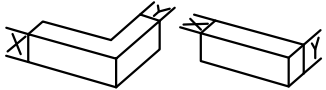
Image	Part Code	Pack	Unit	Application	Colour	
	ACGSL425 Handle Accessory	10	pack	ACGSL406	MF	
					SA	
					KL	
					HP	
					M	
					GOZ	
					W	
					Z	
PC						
	ACGSL426 Internal Handle (composite)	1	each	ACGSL400 ACGSL401 ACGSL405 ACGSL406 ACGSL601 ACGSL602 ACGSL603 ACGSL604	MF	
					SA	
					KL	
					HP	
					M	
					GOZ	
					W	
					Z	
PC						
	ACGSL427 Internal Handle	1	each	ACGSL400 ACGSL401 ACGSL406 ACGSL601 ACGSL602 ACGSL603 ACGSL604	MF	
					SA	
					KL	
					HP	
					M	
					GOZ	
					W	
					Z	
PC						
	ACGSL501 Fixed Single Roller Max. Weight: 80kg per/sash	4	pack		MF	
					SA	
					KL	
					HP	
					M	
					GOZ	
					W	
					Z	
PC						
	ACGSL502 Adjustable Single Roller Max. Weight: 80kg per/sash	4	pack		MF	
					SA	
					KL	
					HP	
					M	
					GOZ	
					W	
					Z	
PC						
 	T-BARS ACVG65=2.5mm ACVG66=3.0mm ACVL150=4.0mm			MF = Mill Finish SA = Silver Anodised KL = Basic Colour HP = Special Colour M = Dual Colour	GOZ = Gold PC = Polished Chrome W = White Z = Black	

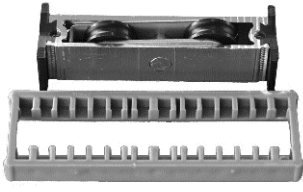
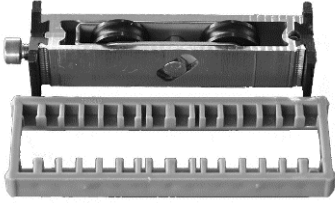
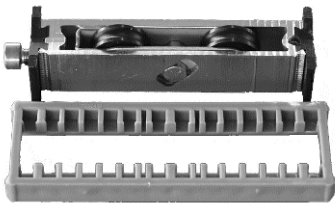




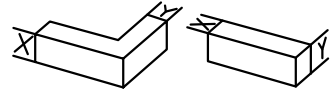
Image	Part Code	Pack	Unit	Application	Colour
	ACGSL503 Fixed Double Roller Max. Weight: 160kg per/sash	4	pack		MF
					SA
					KL
					HP
					M
					GOZ
					W
					Z
					PC
	ACGSL504 Adjustable Double Roller Max. Weight: 160kg per/sash	4	pack		MF
					SA
					KL
					HP
					M
					GOZ
					W
					Z
					PC
	ACGSL505 Adjustable Reinforced Double Roller Max. Weight: 200kg per/sash	2	pack		MF
					SA
					KL
					HP
					M
					GOZ
					W
					Z
					PC
	ACGSL601 Single Point Lock (min frame height = 382mm) (2 x ACGSL655 keeps required)	1	each	ACGSL655 GSL021	MF
					SA
					KL
					HP
					M
					GOZ
					W
					Z
					PC
	ACGSL602 Two Point Lock (min frame height = 744mm) (3 x ACGSL655 keeps required)	1	each	ACGSL655 GSL021	MF
					SA
					KL
					HP
					M
					GOZ
					W
					Z
					PC
	T-BARS ACVG65=2.5mm ACVG66=3.0mm ACVL150=4.0mm		Screw (Grub)	MF = Mill Finish GOZ = Gold SA = Silver Anodised PC = Polished Chrome KL = Basic Colour W = White HP = Special Colour Z = Black M = Dual Colour	
					



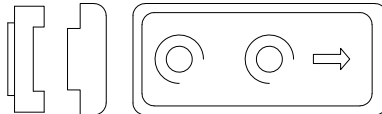




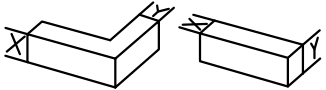
Image	Part Code	Pack	Unit	Application	Colour	
	ACGSL603 Three Point Lock (min frame height = 1250mm) (4 x ACGSL655 keeps required)	1	each	ACGSL655 GSL021	MF	
					SA	
	ACGSL604 Three Point Lock with Eurocylinder (min frame height = 1250mm) (4 x ACGSL655 keeps required)	1	each	ACGSL655 GSL021	KL	
					HP	
	ACGSL655 Keep	1	each	ACGSL601 ACGSL602 ACGSL603 ACGSL604 GSL1010 GSL1012 GSL040	M	
					GOZ	
	ACDV264 M4 x 35 CSK Screw	1	each	GSL021 GSL040 ACGSL1171	W	
					Z	
	ACDV265 M4 x 60 CSK Screw	1	each	GSL022 GSL040 ACGSL1171	PC	
	T-BARS ACVG65=2.5mm ACVG66=3.0mm ACVL150=4.0mm		Screw (Grub)	MF = Mill Finish SA = Silver Anodised KL = Basic Colour HP = Special Colour M = Dual Colour	GOZ = Gold PC = Polished Chrome W = White Z = Black	



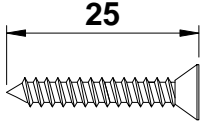
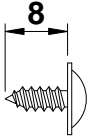
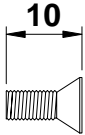

Image	Part Code	Pack	Unit	Application	Colour
	ACET040 Variable Angle Cill Joiner	10	pack	ETC157N ETC158N ETC178 ETC179	MF
					SA
					KL
					HP
					M
					GOZ
					W
					Z
					PC
					
SA					
KL					
HP					
M					
GOZ					
W					
Z					
PC					
	ACET060 No. 7 x 25 S/S Self Tapping CSK Screw	100	pack	ACGSL1174	
					SA
					KL
					HP
					M
					GOZ
					W
					Z
					PC
					
SA					
KL					
HP					
M					
GOZ					
W					
Z					
PC					
	ACET122 M4 x 10 Machine Screw	100	pack		
					SA
					KL
					HP
					M
					GOZ
					W
					Z
					PC
					 <small>T-BARS ACVG65=2.5mm ACVG66=3.0mm ACVL150=4.0mm</small>

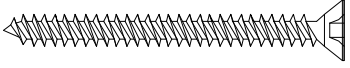



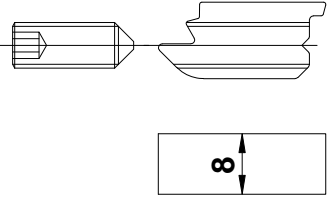

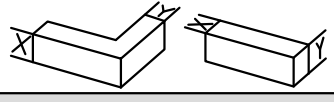
Image	Part Code	Pack	Unit	Application	Colour	
	ACET190 4.3 x 45mm CSK S/S Polyamide Screw	1000	pack		MF	
					SA	
					KL	
					HP	
					M	
					GOZ	
					W	
					Z	
					PC	
	ACMX01601 30mm Half Cylinder For Keyed Alike Order <u>ACMX01601SL</u>	1	each	ACGSL604	MF	
					SA	
					KL	
					HP	
					M	
					GOZ	
					W	
					Z	
					PC	
	ACMX01603 40mm Half Cylinder For Keyed Alike Order <u>ACMX01603SL</u>	1	each	ACGSL1174 ACSL180 ACSL181	MF	
					SA	
					KL	
					HP	
					M	
					GOZ	
					W	
					Z	
					PC	
	ACMX01615 35/35 Cylinder	1	each	ACGSL1174 ACSL180 ACSL181	MF	
					SA	
					KL	
					HP	
					M	
					GOZ	
					W	
					Z	
					PC	
	ACMX854 Cleat Tensioning Block	48	pack	ACSL013A	MF	
					SA	
					KL	
					HP	
					M	
					GOZ	
					W	
					Z	
					PC	
	T-BARS ACVG65=2.5mm ACVG66=3.0mm ACVL150=4.0mm		Screw (Grub)	MF = Mill Finish SA = Silver Anodised KL = Basic Colour HP = Special Colour M = Dual Colour	GOZ = Gold PC = Polished Chrome W = White Z = Black	


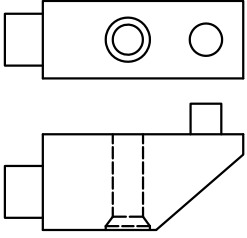

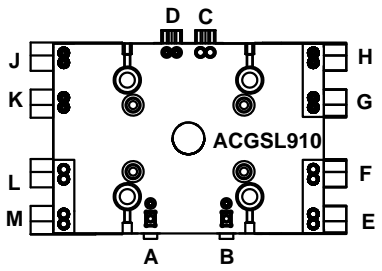
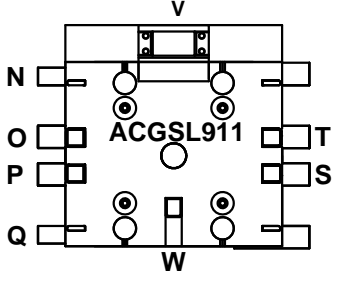


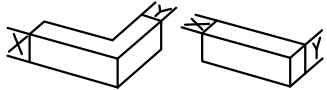
Image	Part Code	Pack	Unit	Application	Colour
	ACSG071 M4 x 40 CSK Screw	1	each	ACSG1171 ACSG1174	MF
					SA
					KL
					HP
					M
					GOZ
					W
					Z
PC					
	ACVG48 Door Stop/Buffer	1	each		MF <input checked="" type="checkbox"/>
					SA <input checked="" type="checkbox"/>
					KL <input checked="" type="checkbox"/>
					HP <input checked="" type="checkbox"/>
					M
					GOZ
					W
					Z
PC					
	ACVG74 30/30 Cylinder	1	each	ACGSL1174 ACGSL601 ACGSL602 ACGSL603 ACGSL604	MF
					SA
					KL
					HP
					M
					GOZ
					W
					Z
PC					
	ACGSL910 Punch Tool Please see Section E for application.	1	each	GSL1010 GSL1012 GSL021 GSL022 GSL310 GSL1330	MF
					SA
					KL
					HP
					M
					GOZ
					W
					Z
PC					
	ACGSL911 Punch Tool Please see Section E for application.	1	each	GSL1010 GSL1012 GSL021 GSL022 GSL310 GSL1330	MF
					SA
					KL
					HP
					M
					GOZ
					W
					Z
PC					
 <small>T-BARS ACVG65=2.5mm ACVG66=3.0mm ACVL150=4.0mm</small>	 <small>Screw (Grub)</small>	MF = Mill Finish GOZ = Gold SA = Silver Anodised PC = Polished Chrome KL = Basic Colour W = White HP = Special Colour Z = Black M = Dual Colour			


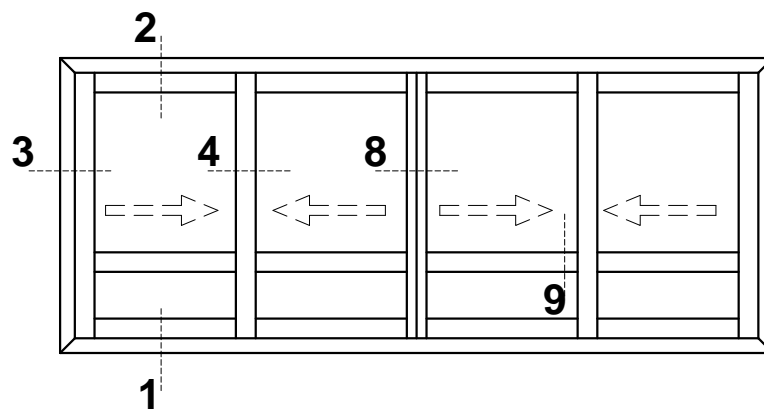
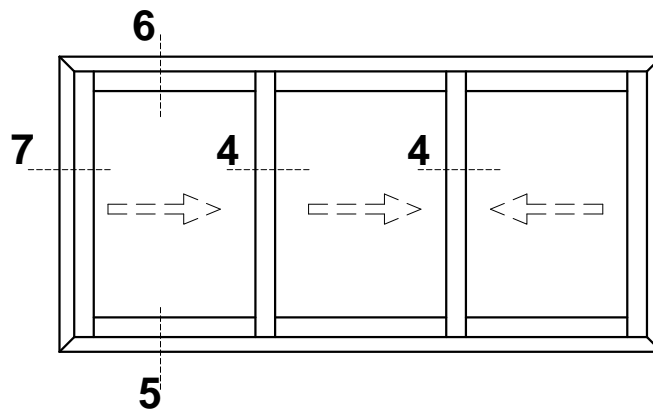
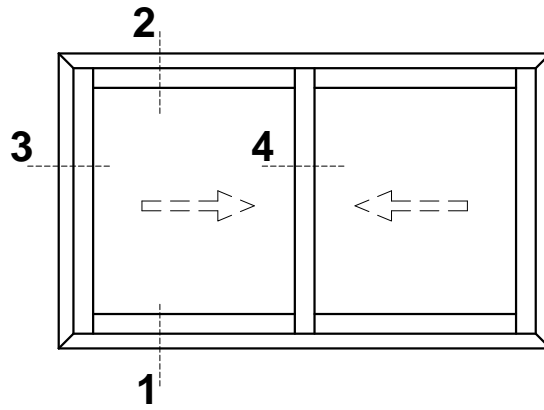
Image	Part Code	Pack	Unit	Application	Colour	
	ACMX09700 Alu. Polish	1	each		MF	X
					SA	
					KL	
					HP	
					M	
					GOZ	
					W	
					Z	
	ACMX09761 Maxi Gloss	1	each		MF	
					SA	
					KL	
					HP	
					M	
					GOZ	
					W	
					Z	
	ACMX09762 Alu. Bright	1	each		MF	
					SA	
					KL	
					HP	
					M	
					GOZ	
					W	
					Z	
	ACMX09763 Teflon Spray	1	each		MF	
					SA	
					KL	
					HP	
					M	
					GOZ	
					W	
					Z	
	ACMX09764 Maxi Clean	1	each		MF	
					SA	
					KL	
					HP	
					M	
					GOZ	
					W	
					Z	
 T-BARS ACVG65=2.5mm ACVG66=3.0mm ACVL150=4.0mm	 Screw (Grub)	MF = Mill Finish SA = Silver Anodised KL = Basic Colour HP = Special Colour		M = Dual Colour GOZ = Gold W = White Z = Black		

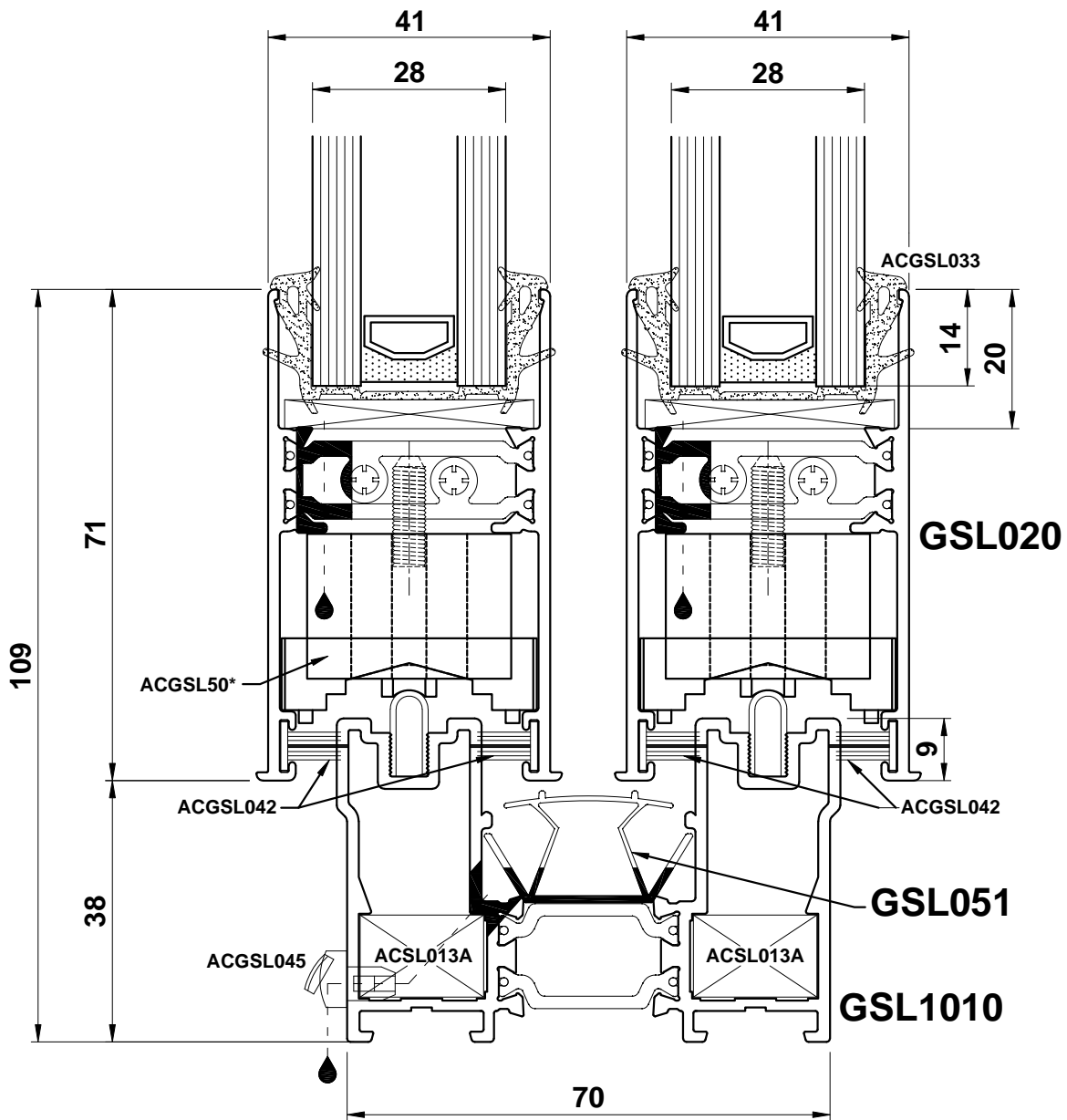
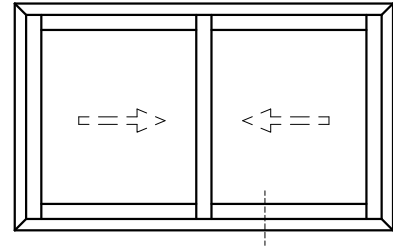
Image	Part Code	Pack	Unit	Application	Colour
	ACMX09765 Alu. Cleaner	1	each		MF SA KL HP M GOZ W Z
	ACMX09770 Roll & Wrap 100mm	1	each		MF SA KL HP M GOZ W Z
	ACMX09775 Grip Handwrap	1	each		MF SA KL HP M GOZ W Z
	ACMX09801 Protective Tape 50mm	1	each		MF SA KL HP M GOZ W Z
	ACMX09802 Protective Tape 70mm	1	each		MF SA KL HP M GOZ W Z
 <p>T-BARS ACVG65=2.5mm ACVG66=3.0mm ACVL150=4.0mm</p>	 <p>Screw (Grub)</p>	<p>MF = Mill Finish SA = Silver Anodised KL = Basic Colour HP = Special Colour</p> <p>M = Dual Colour GOZ = Gold W = White Z = Black</p>			

Image	Part Code	Pack	Unit	Application	Colour	
	ACMX09803 Protective Tape 100mm	1	each		MF	
					SA	
					KL	
					HP	
					M	
					GOZ	
					W	
					Z	
	ACMX09830 Rubber Sealant	1	each		MF	
					SA	
					KL	
					HP	
					M	
					GOZ	
					W	
					Z	
	ACSIL04 Sealing Glue	1	each		MF	
					SA	
					KL	
					HP	
					M	
					GOZ	
					W	X
					Z	X
	ACSIL08 Silicon Gun	1	each		MF	
					SA	
					KL	
					HP	
					M	
					GOZ	
					W	
					Z	
	ACSIL013 Glue for Mitre	1	each		MF	
					SA	
					KL	
					HP	
					M	
					GOZ	
					W	
					Z	
 T-BARS ACVG65=2.5mm ACVG66=3.0mm ACVL150=4.0mm	 Screw (Grub)	MF = Mill Finish SA = Silver Anodised KL = Basic Colour HP = Special Colour	M = Dual Colour GOZ = Gold W = White Z = Black	 		

Section C

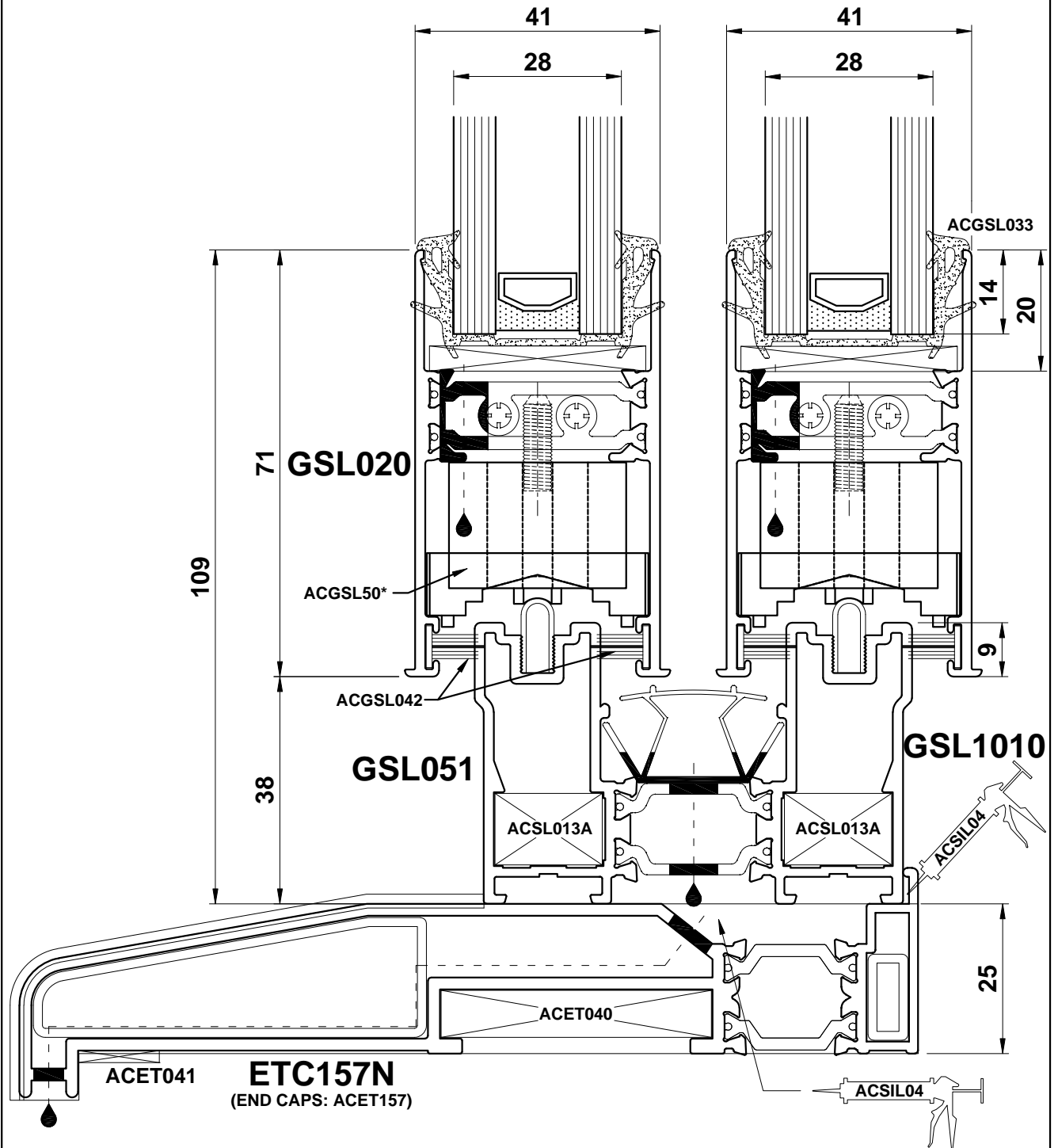


Detail 1A



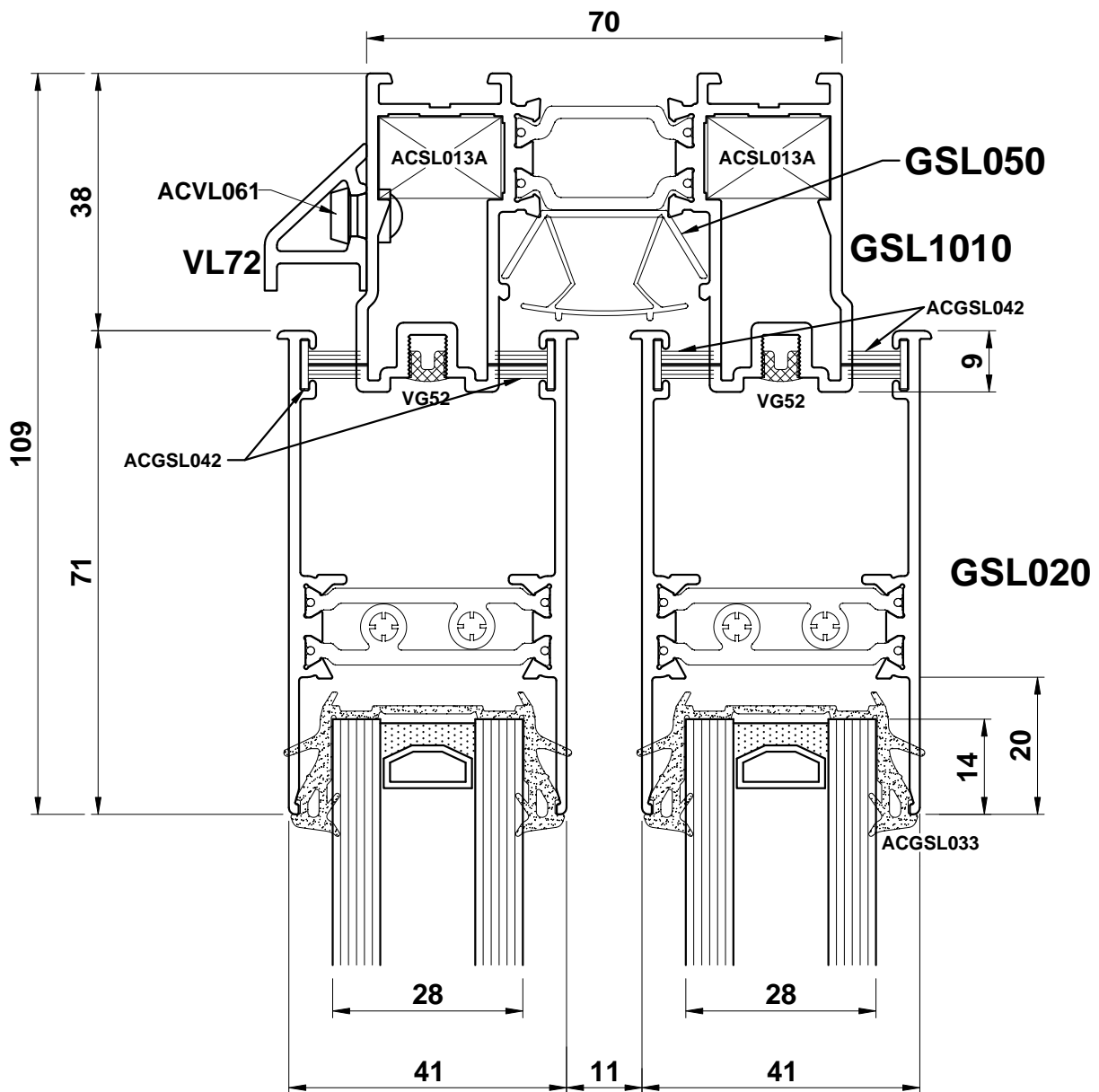
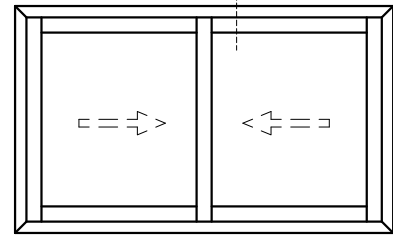
Do Not Scale From This Drawing

Detail 1B



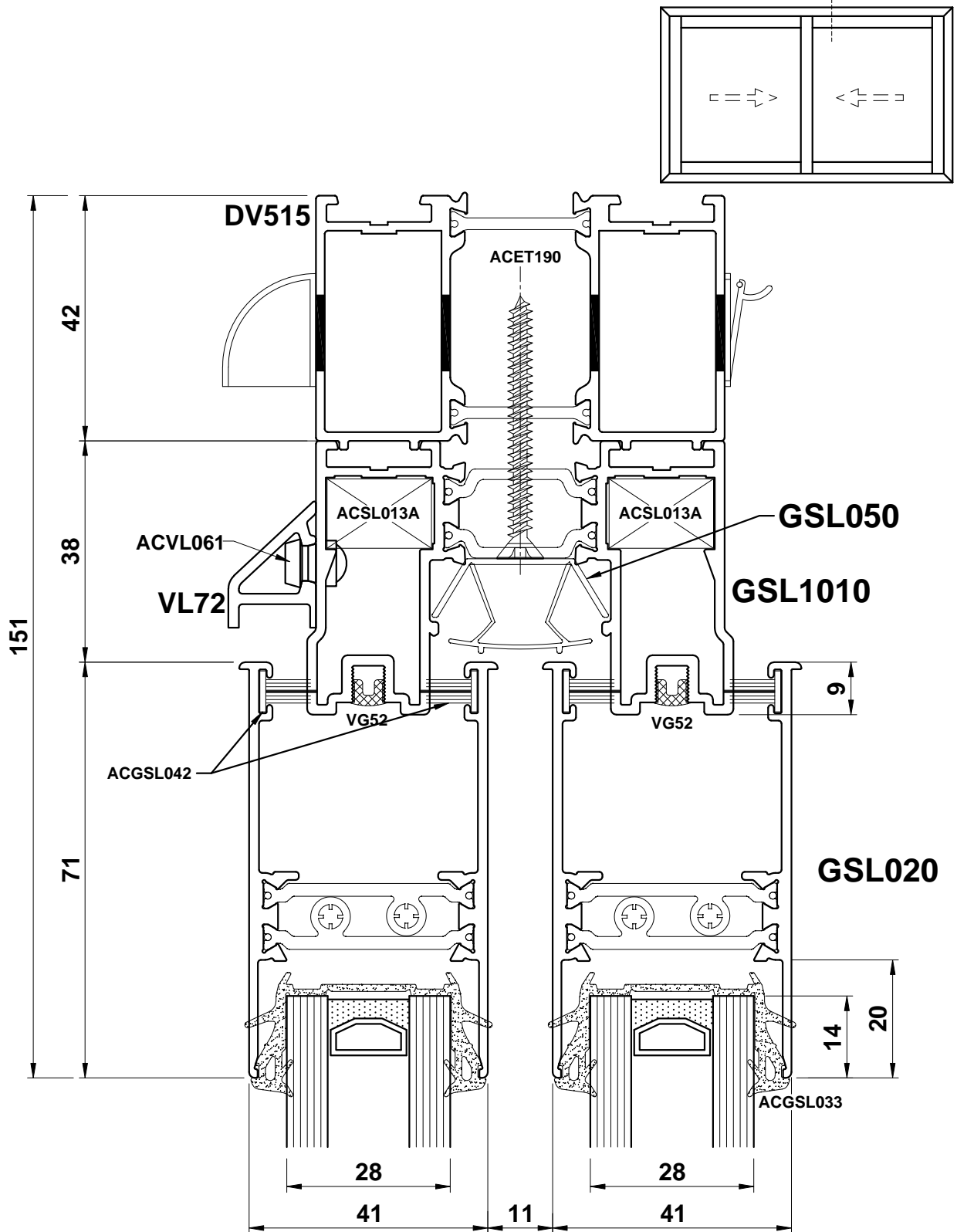
Do Not Scale From This Drawing

Detail 2A



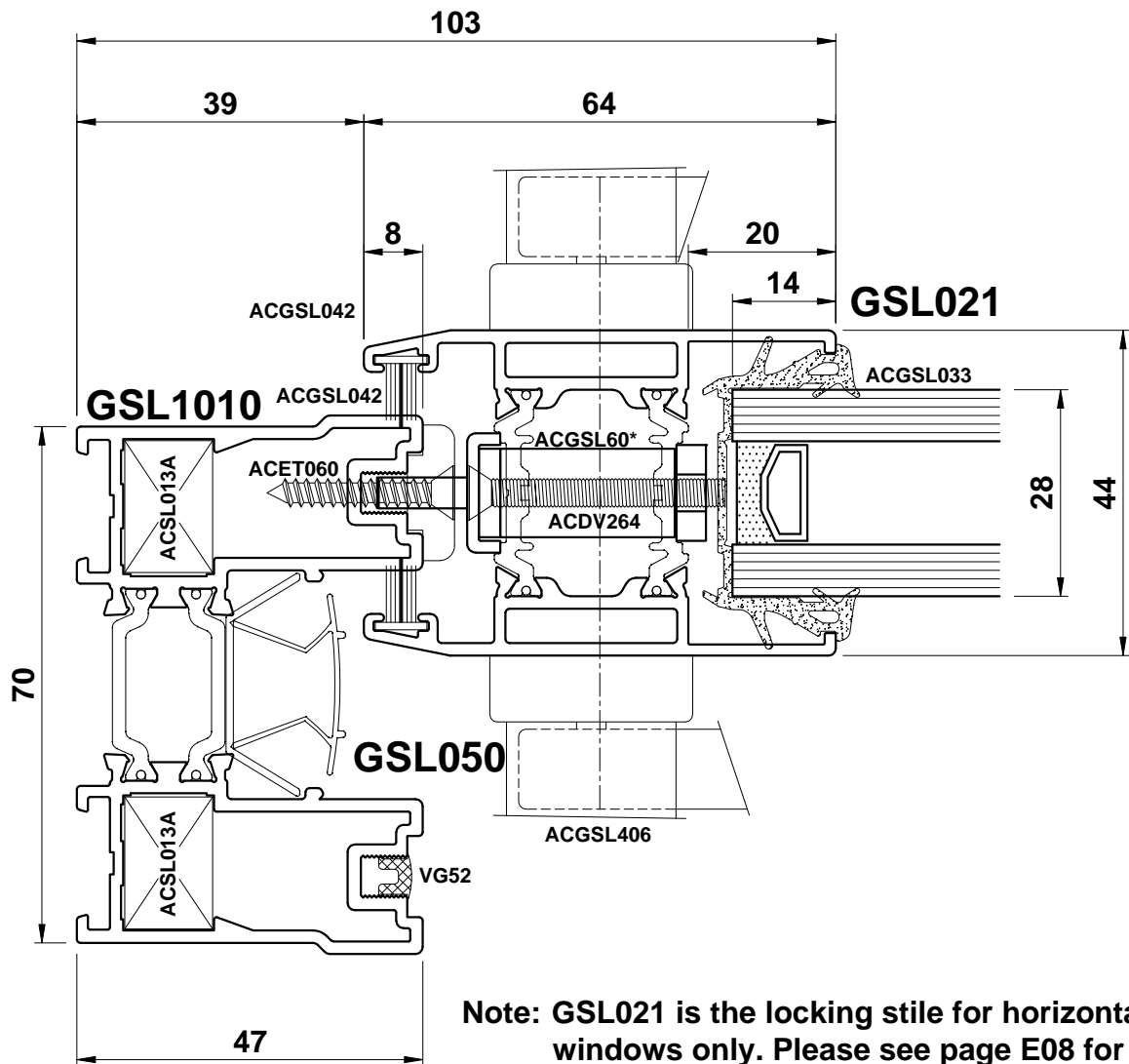
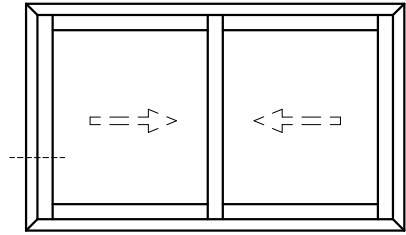
Do Not Scale From This Drawing

Detail 2B



Do Not Scale From This Drawing

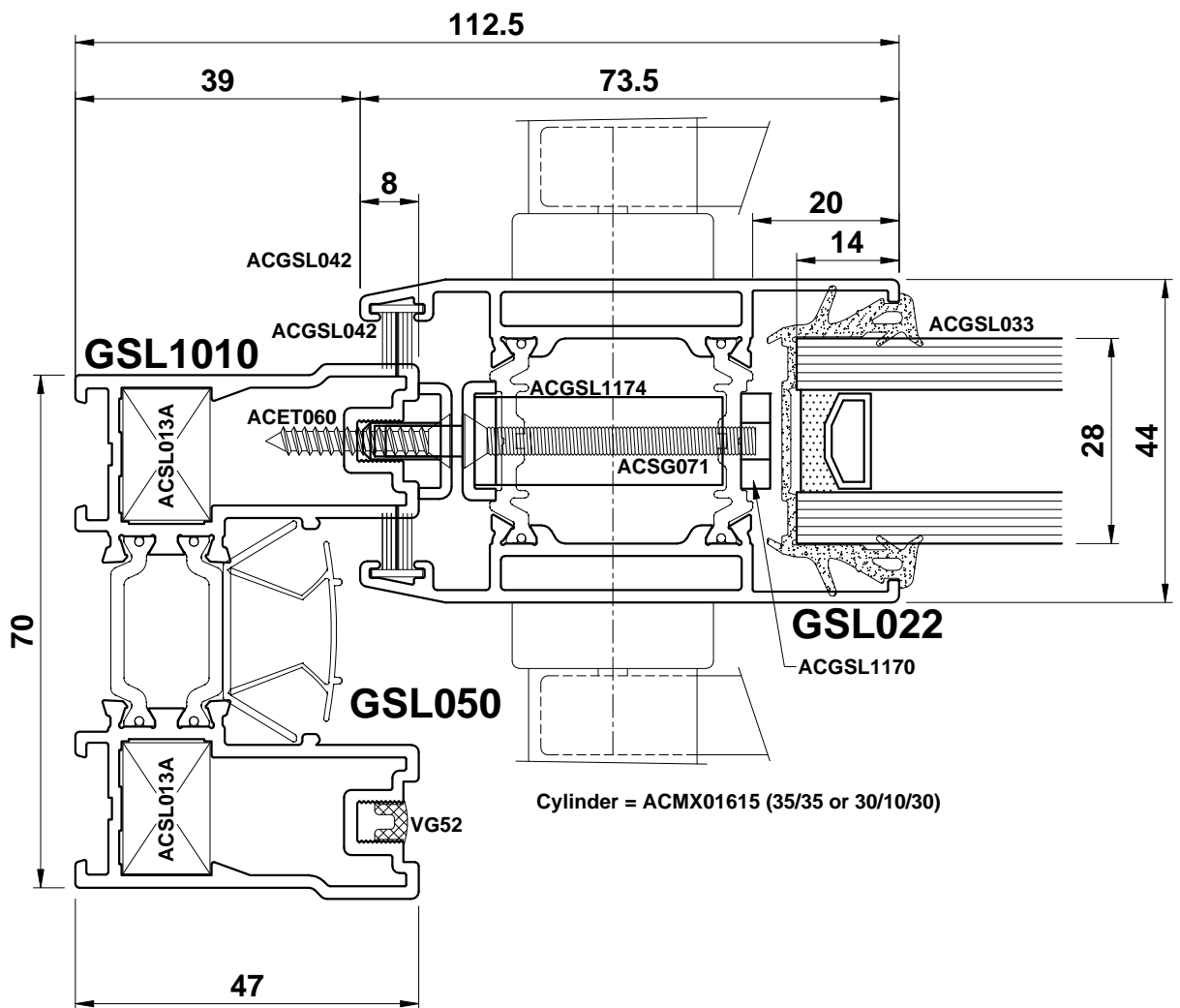
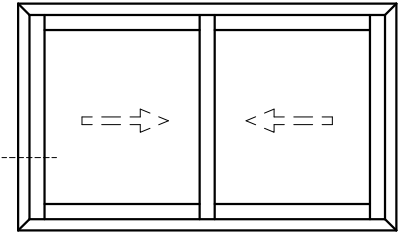
Detail 3A



Note: **GSL021** is the locking stile for horizontal windows only. Please see page E08 for locking details.

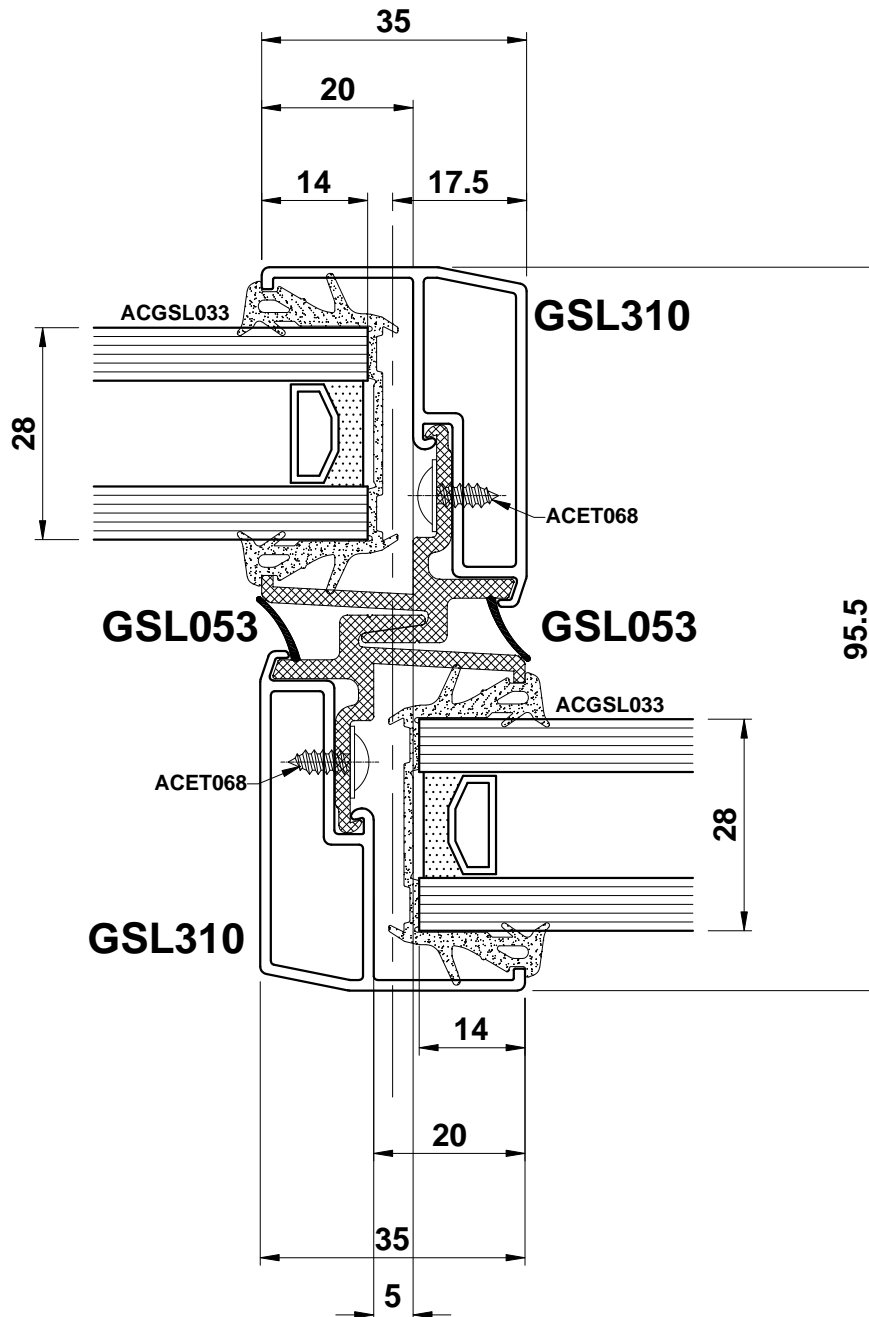
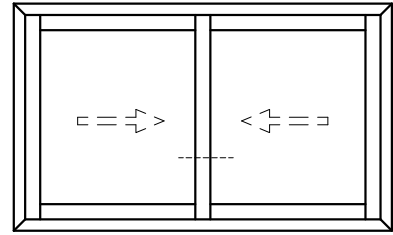
Do Not Scale From This Drawing

Detail 3B



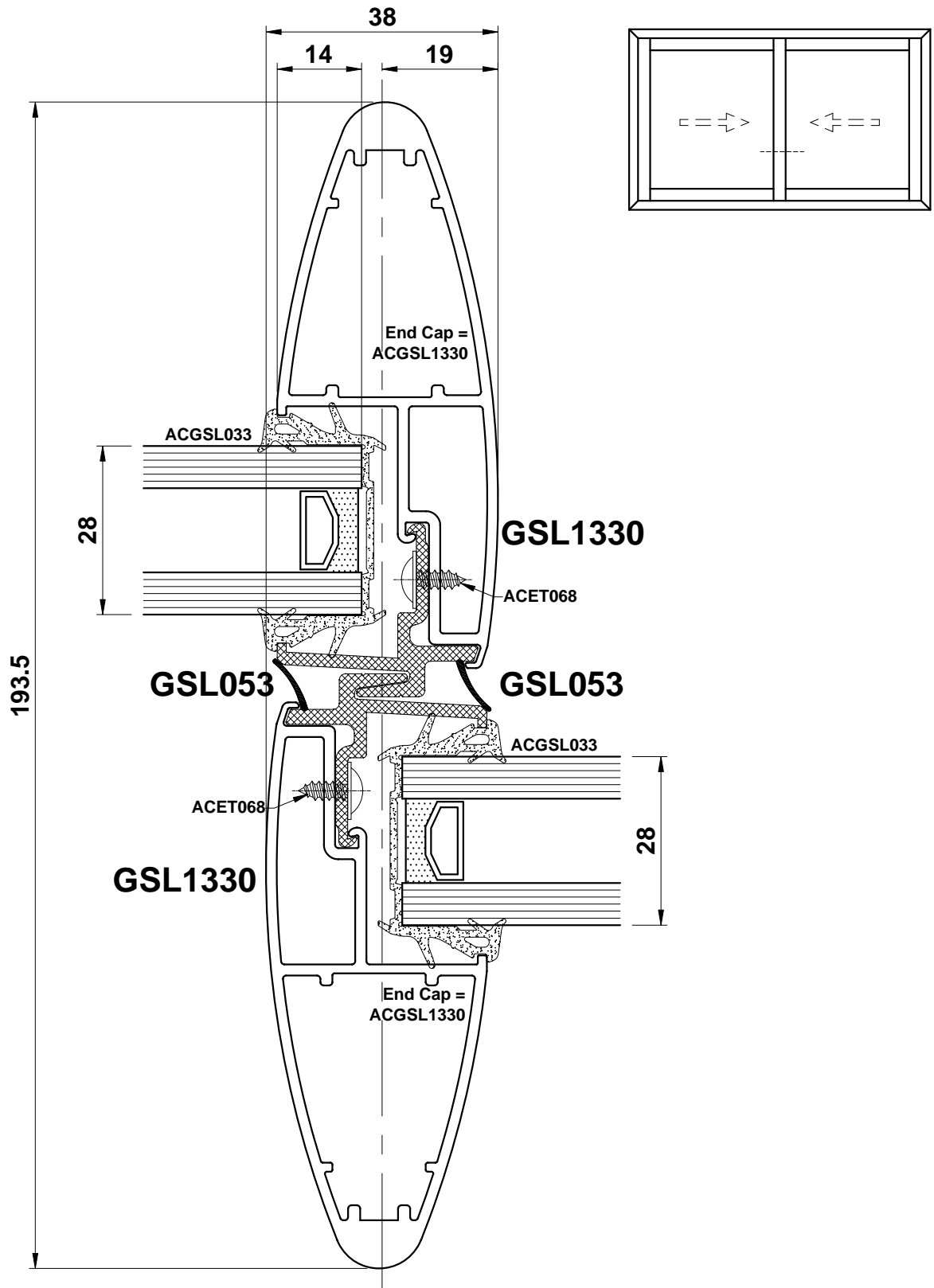
Do Not Scale From This Drawing

Detail 4A



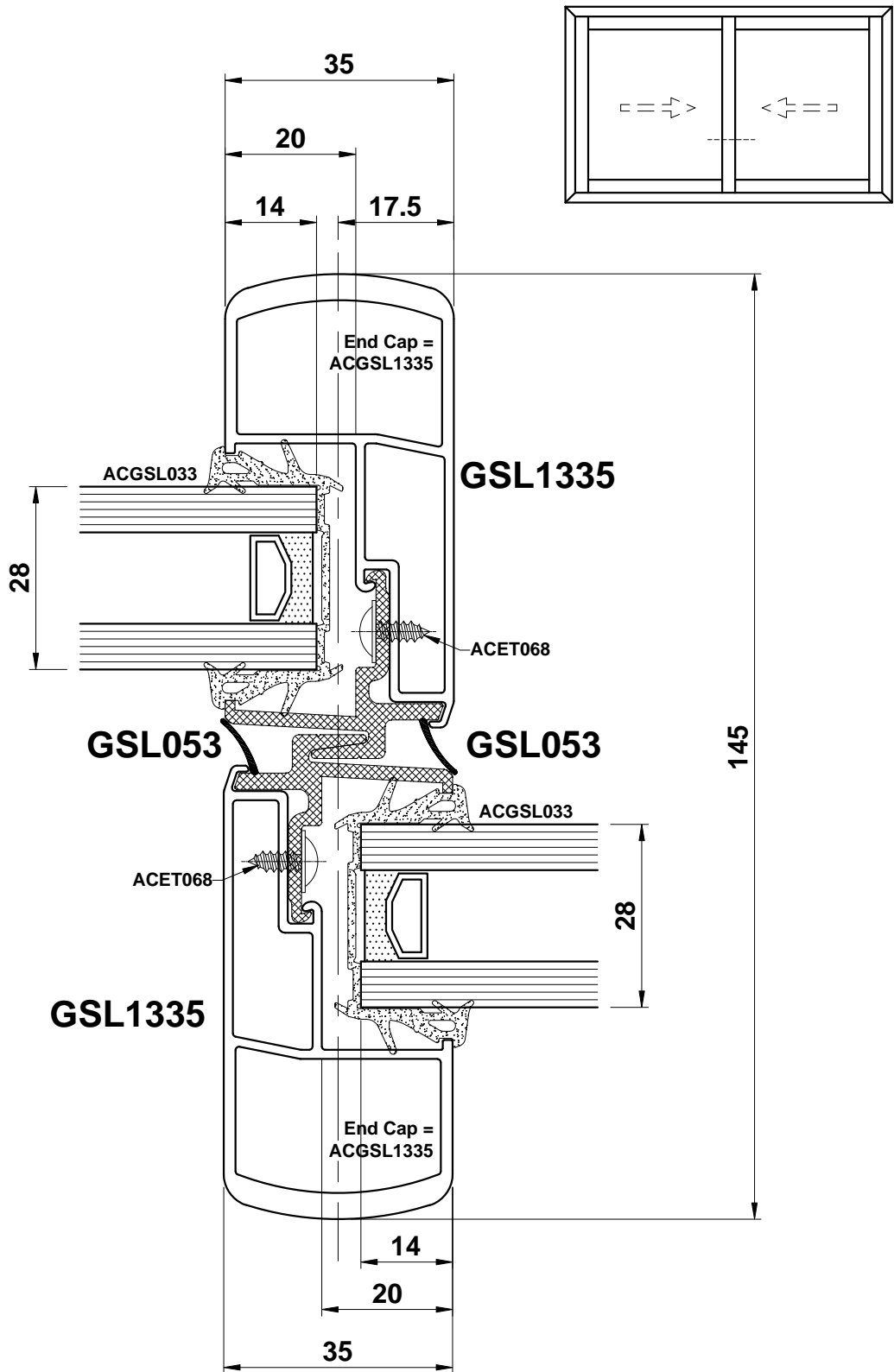
Do Not Scale From This Drawing

Detail 4B



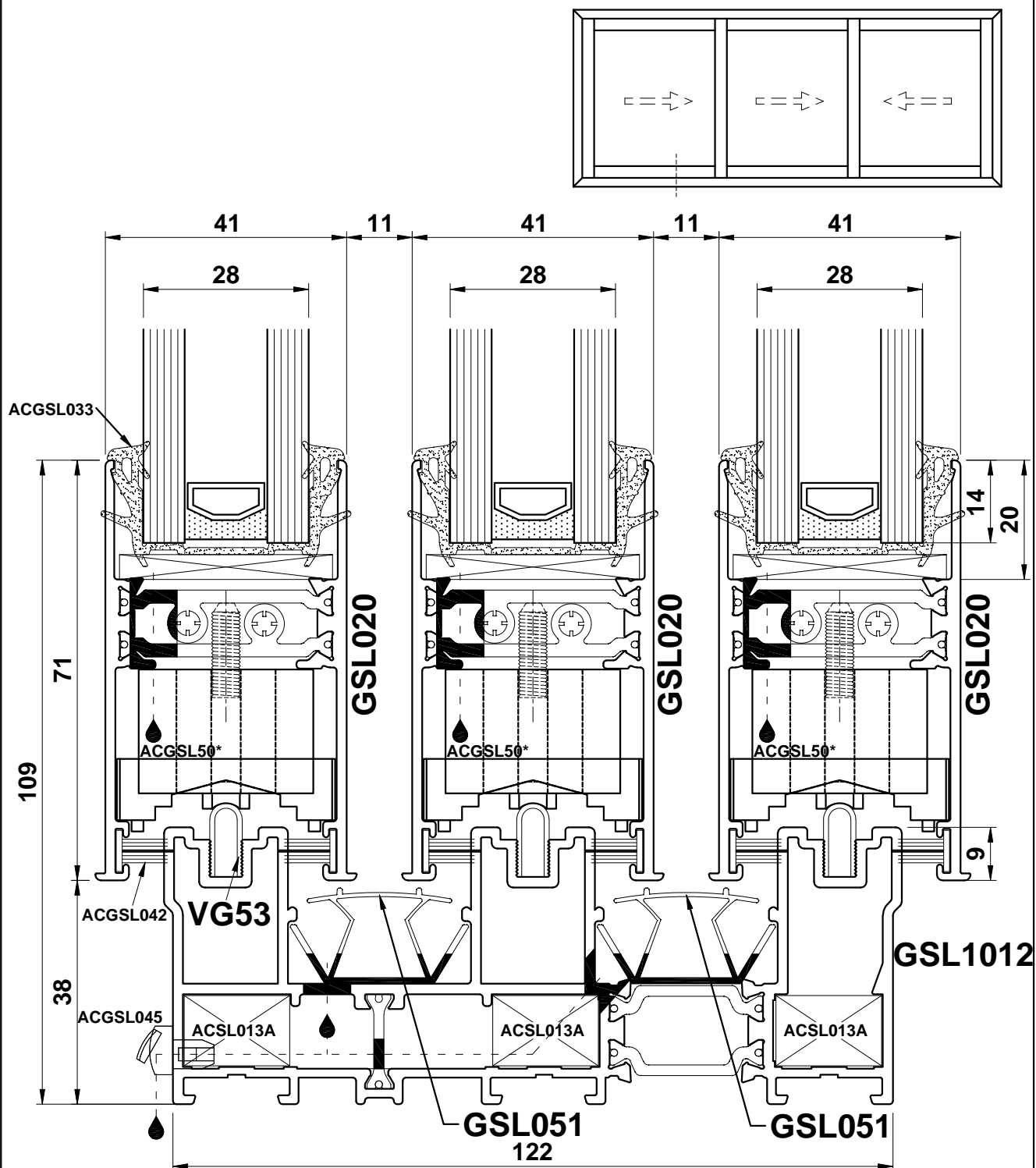
Do Not Scale From This Drawing

Detail 4C



Do Not Scale From This Drawing

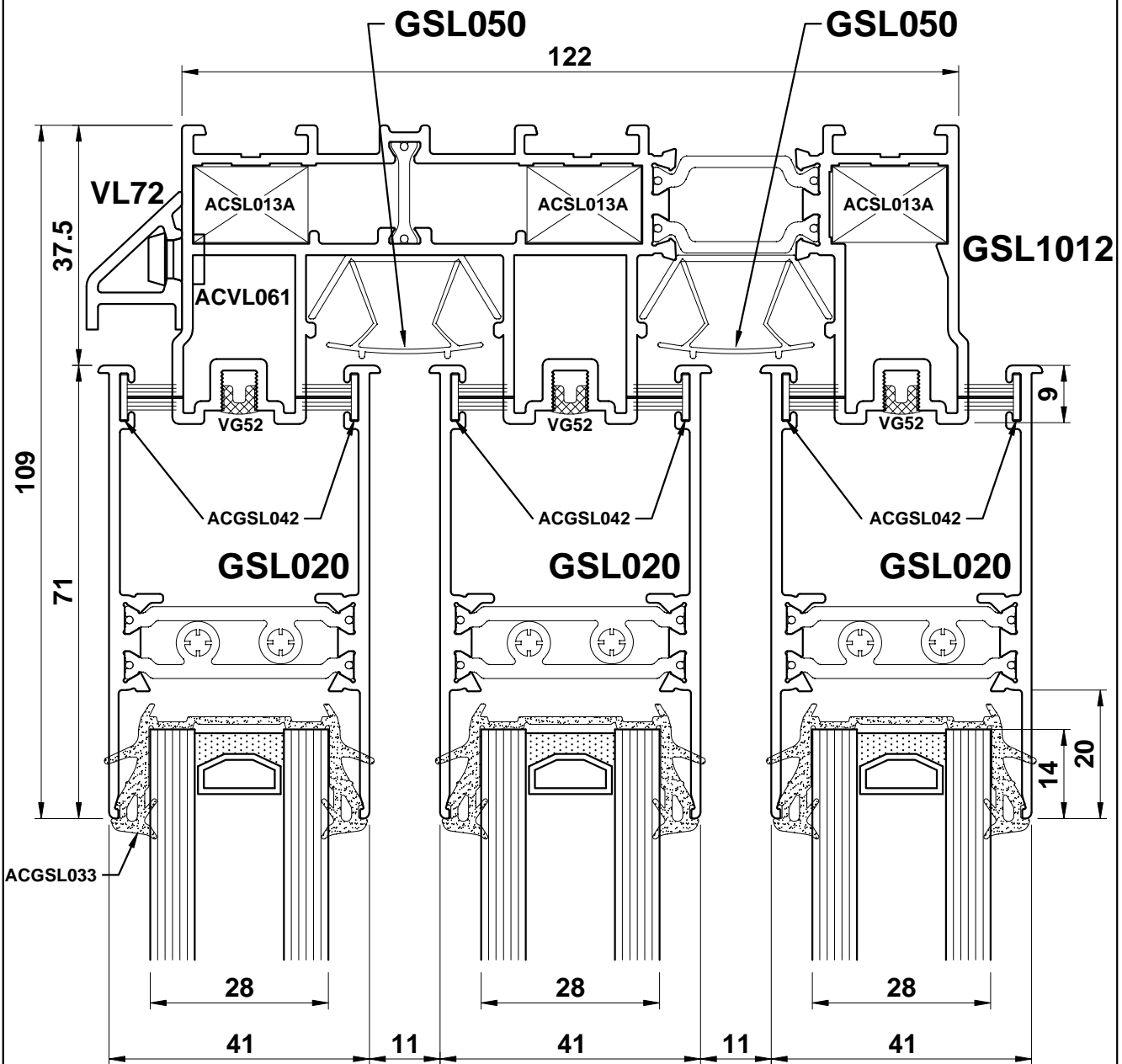
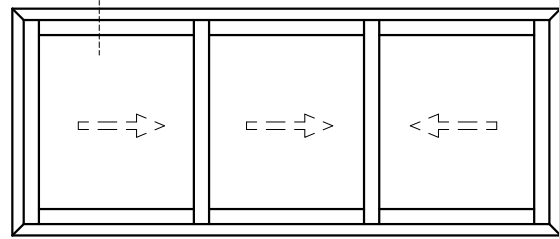
Detail 5



Note: GSL1012 can be used with ETC158N & ETC179 sub-cills only.

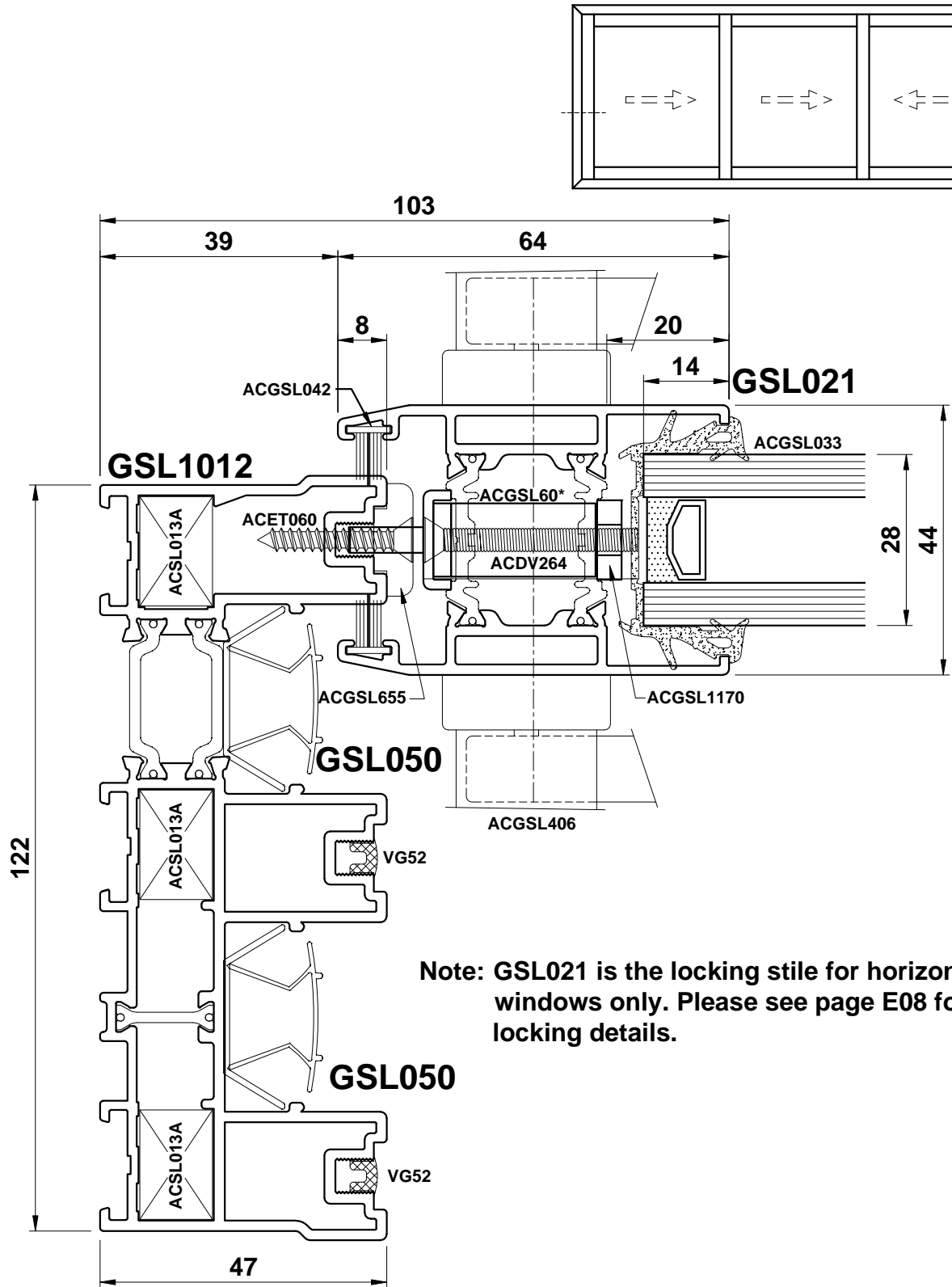
Do Not Scale From This Drawing

Detail 6



Do Not Scale From This Drawing

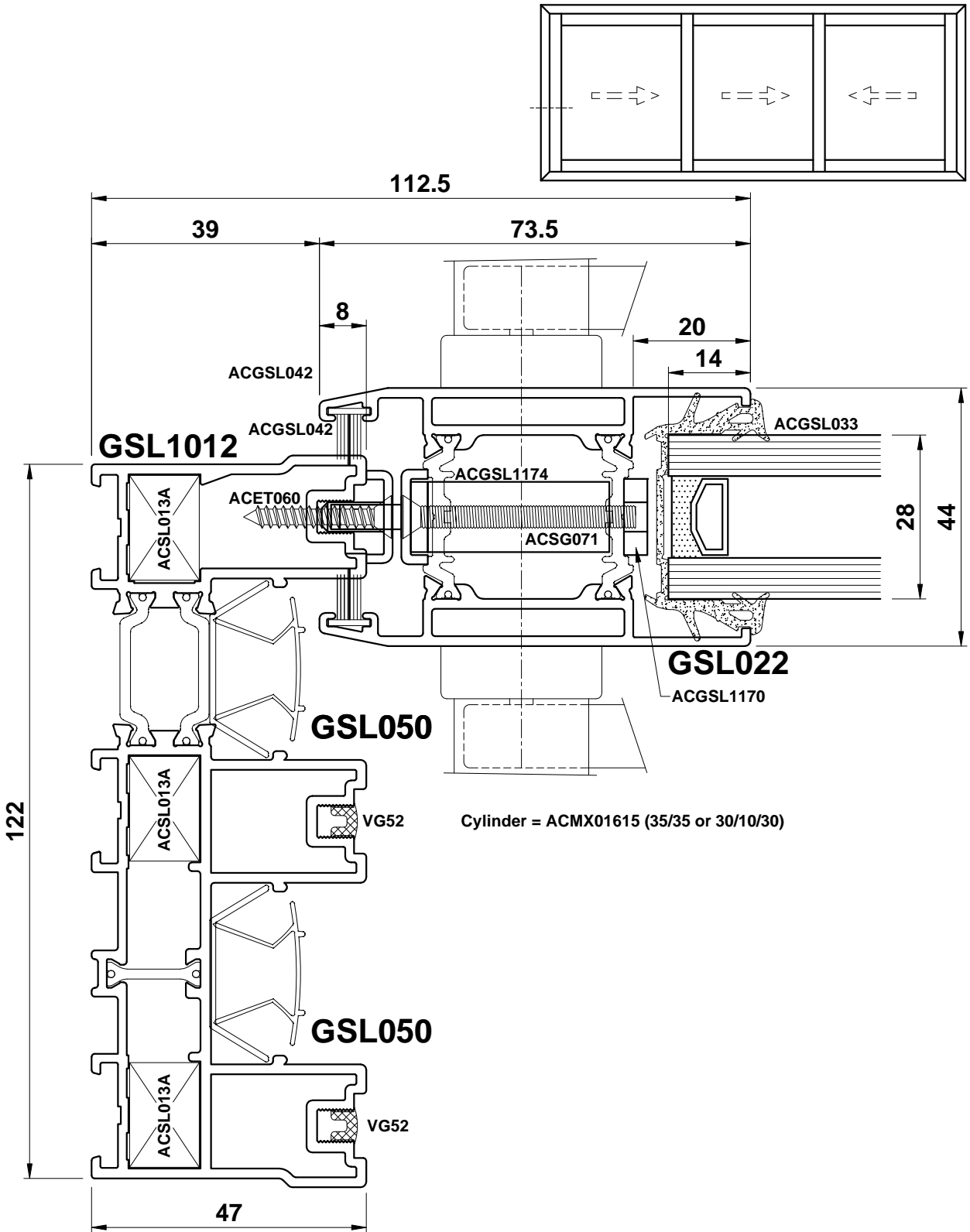
Detail 7A



Note: GSL021 is the locking stile for horizontal windows only. Please see page E08 for locking details.

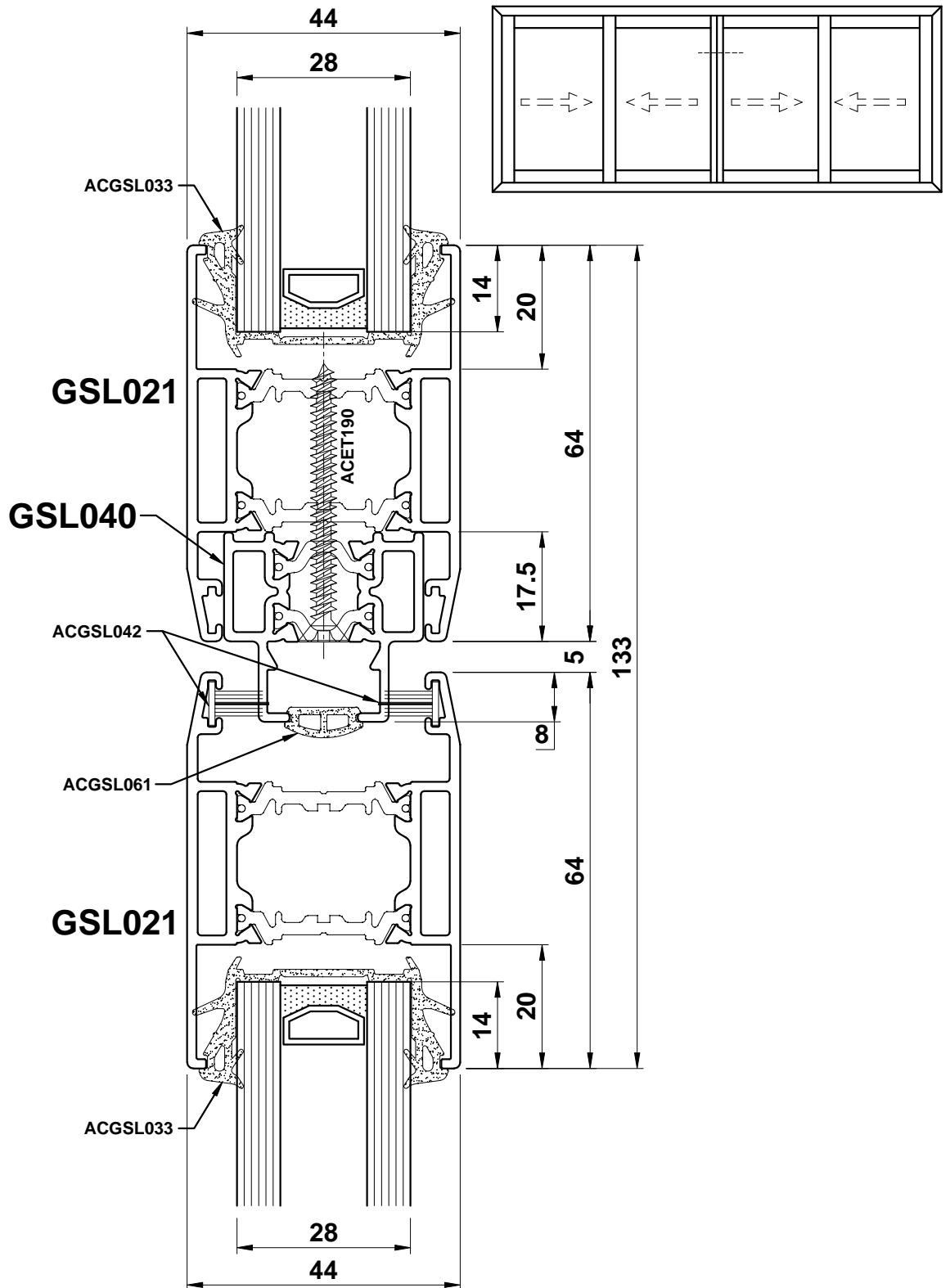
Do Not Scale From This Drawing

Detail 7B



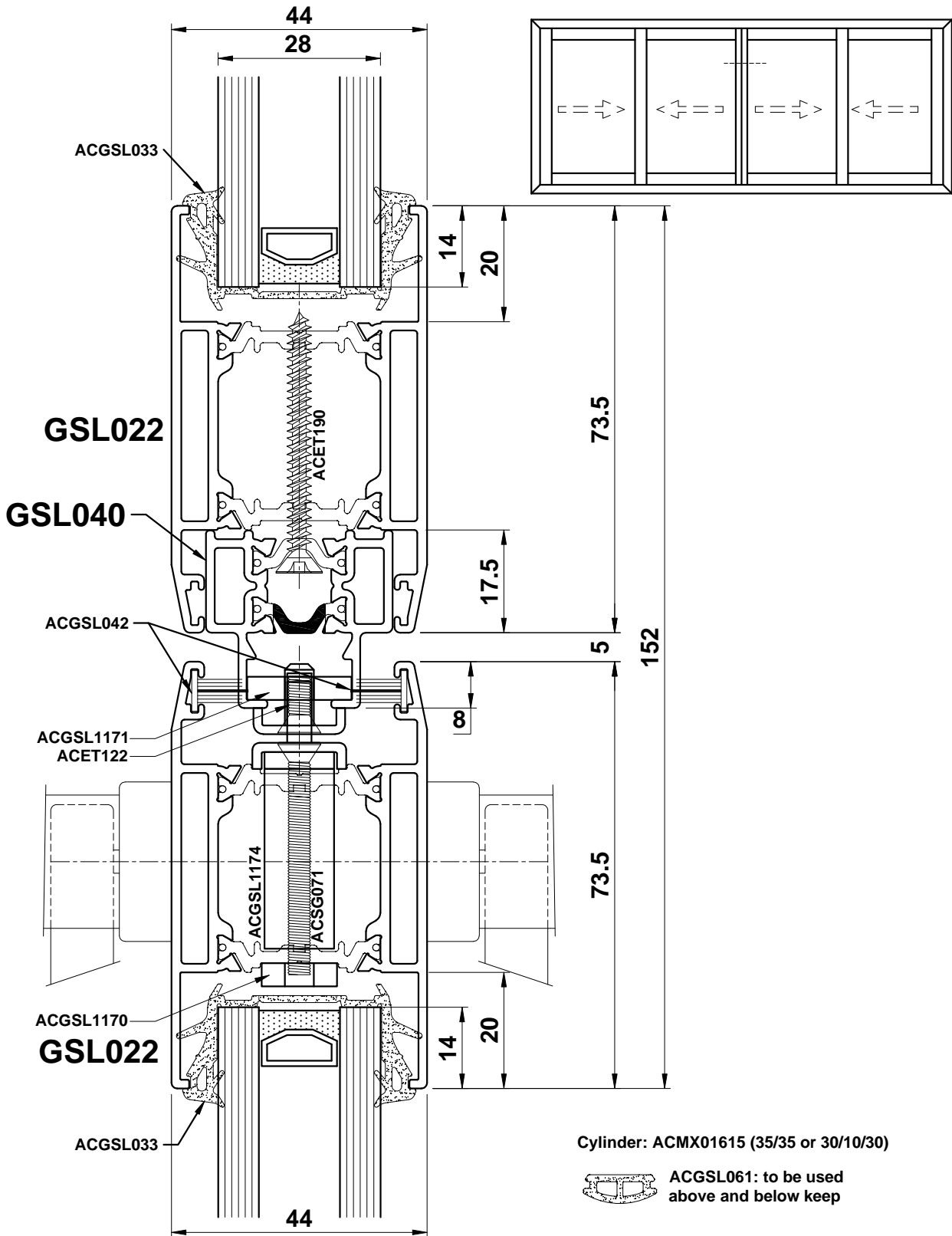
Do Not Scale From This Drawing

Details 8A

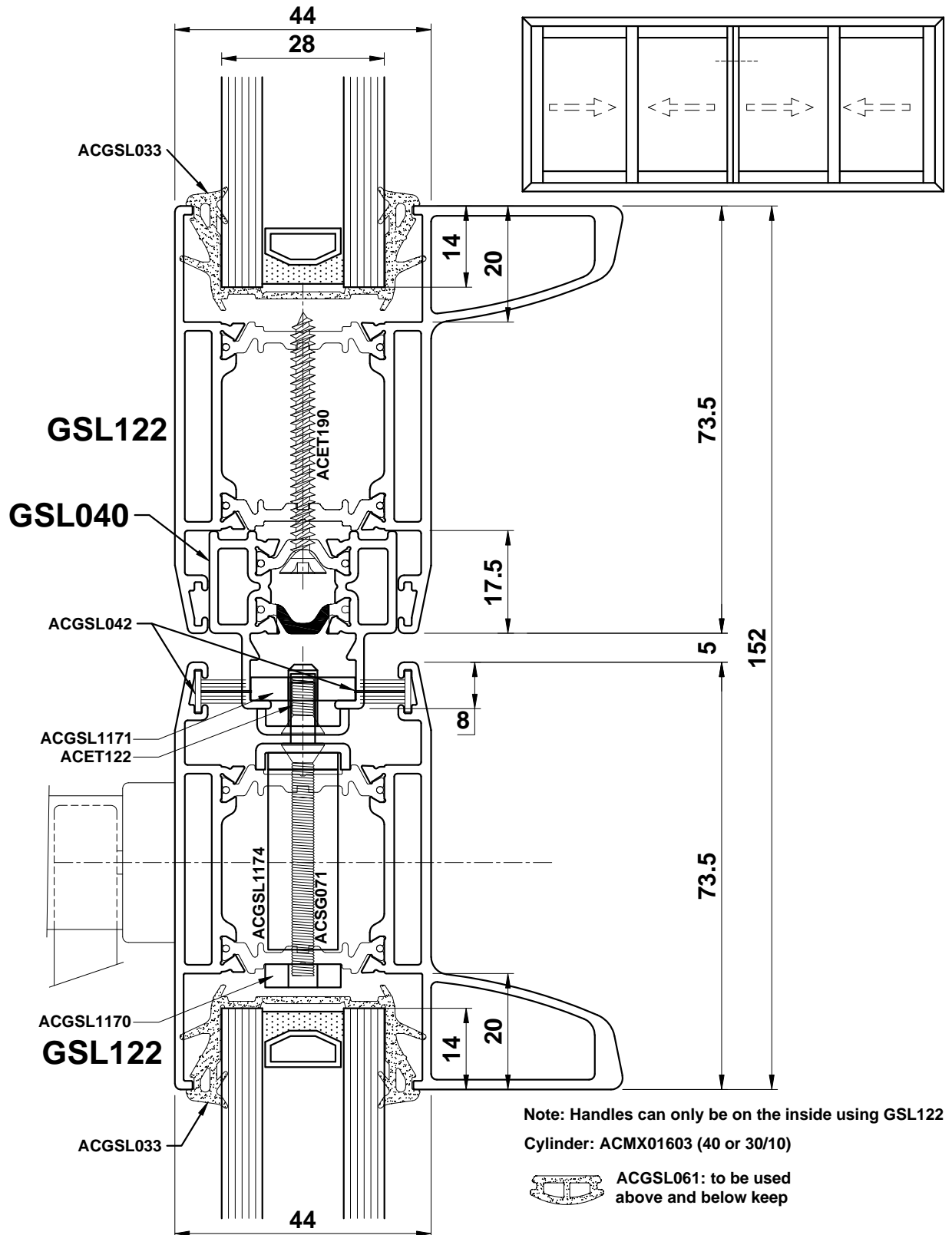


Do Not Scale From This Drawing

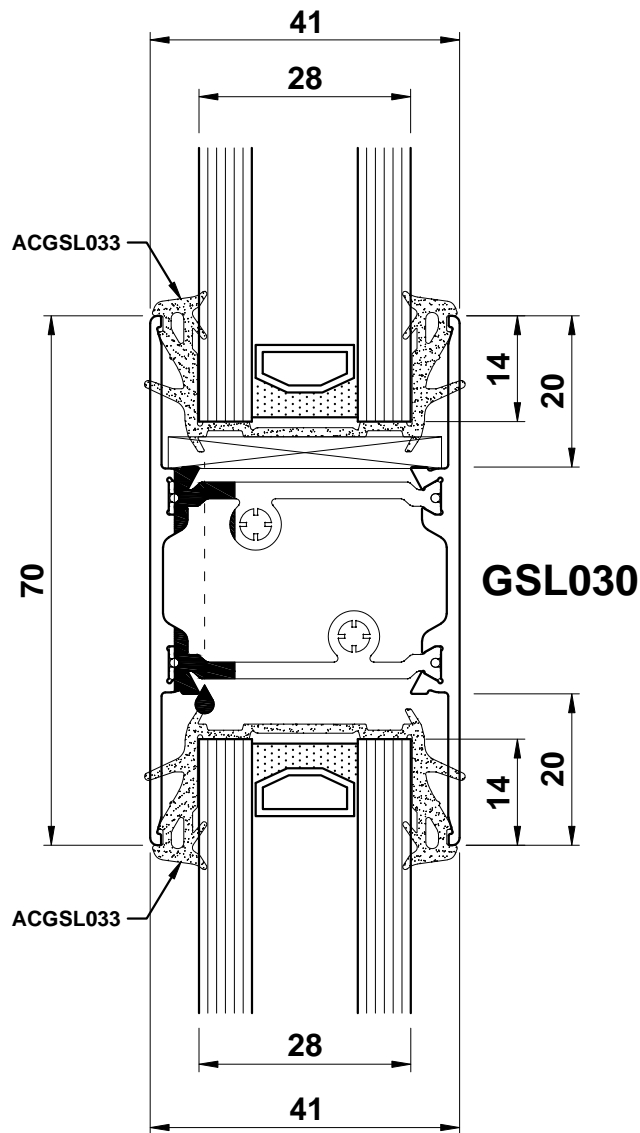
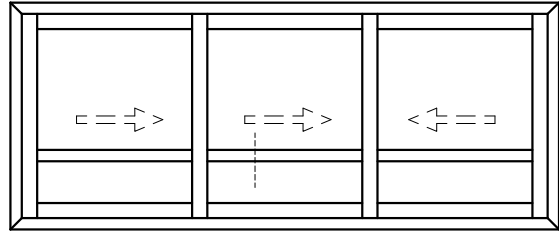
Detail 8B



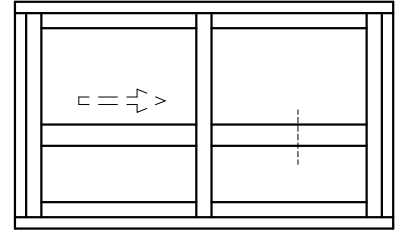
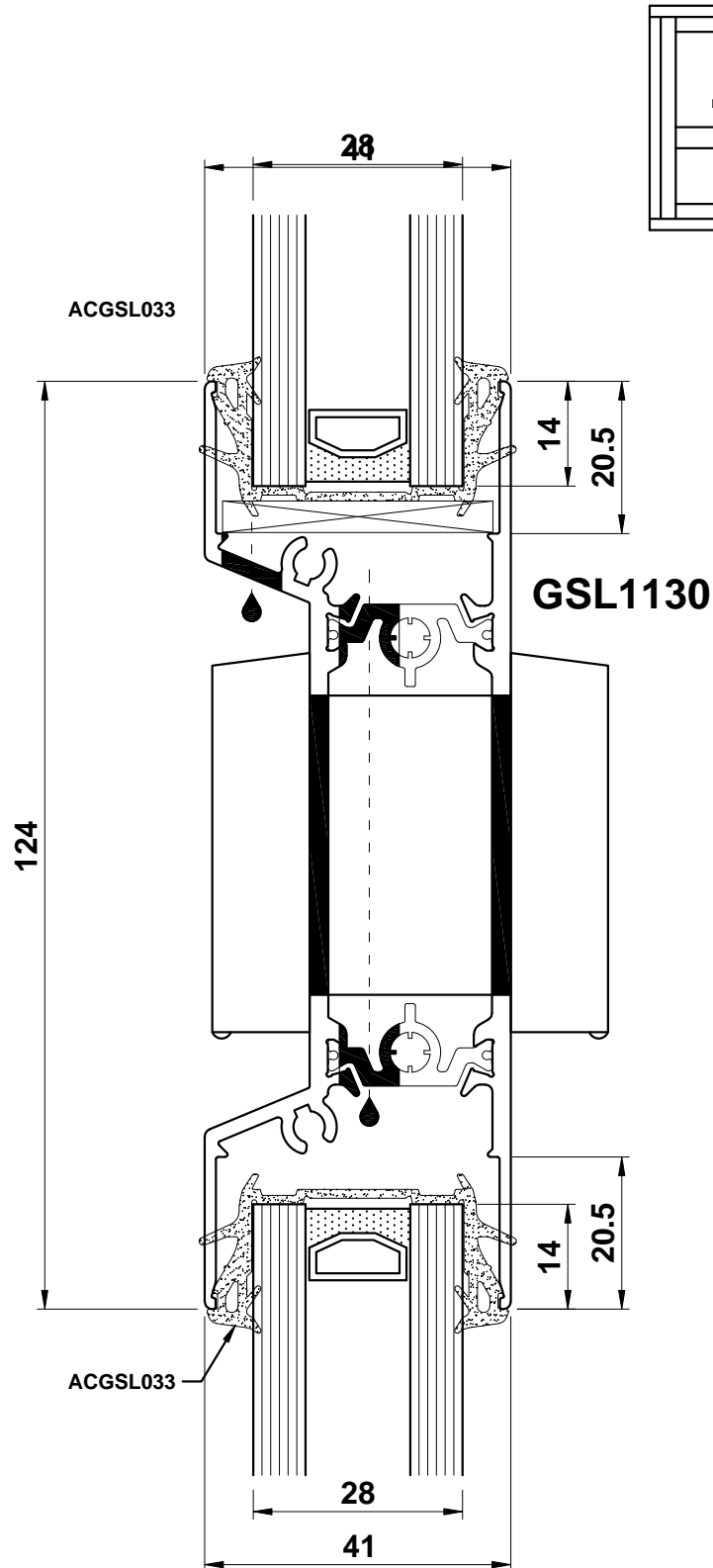
Detail 8C



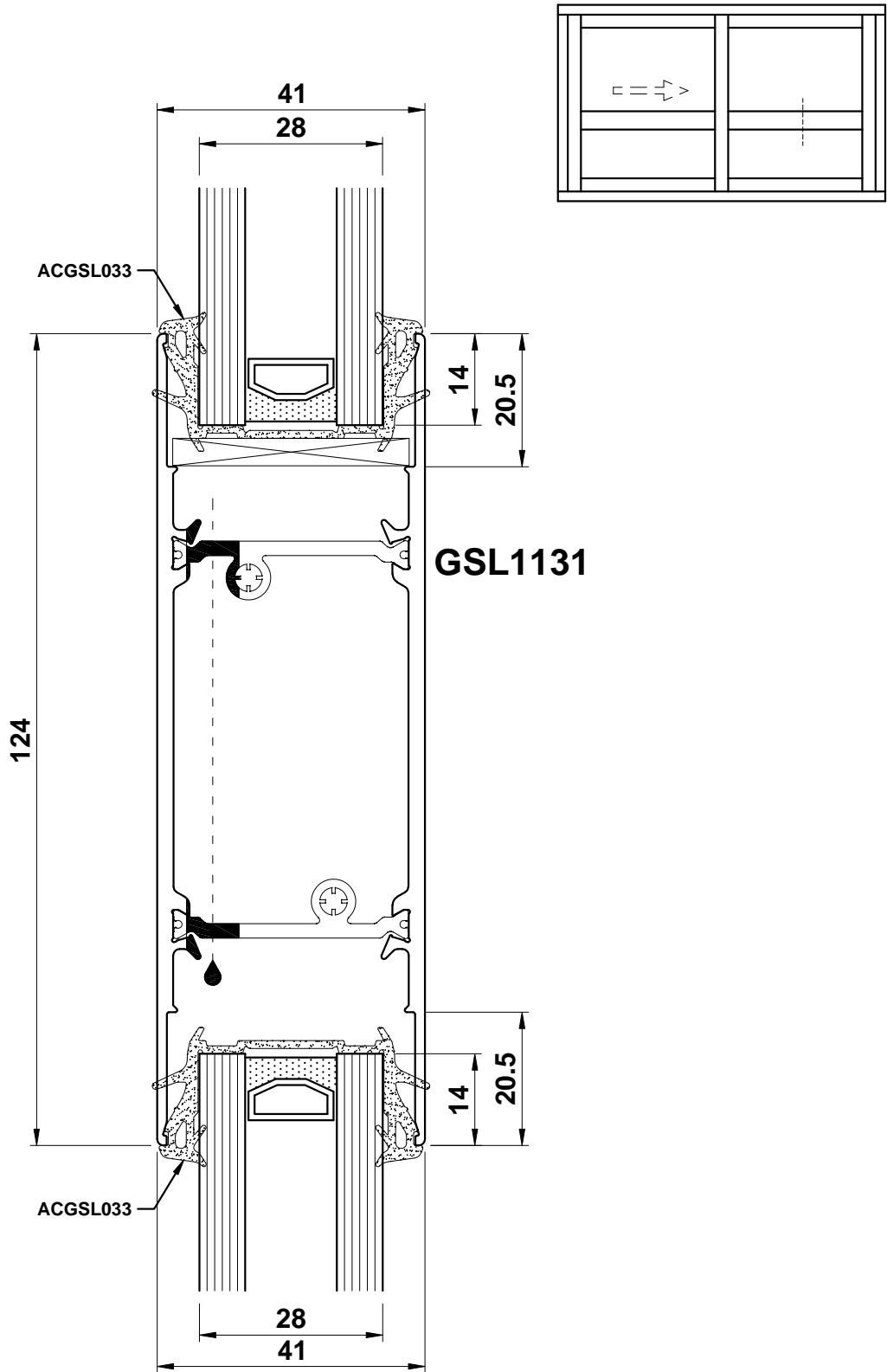
Detail 9A



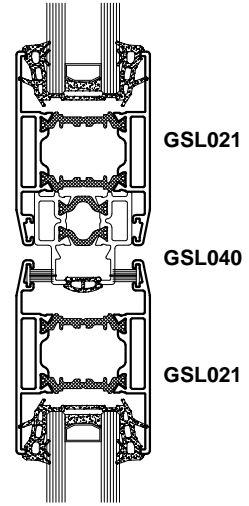
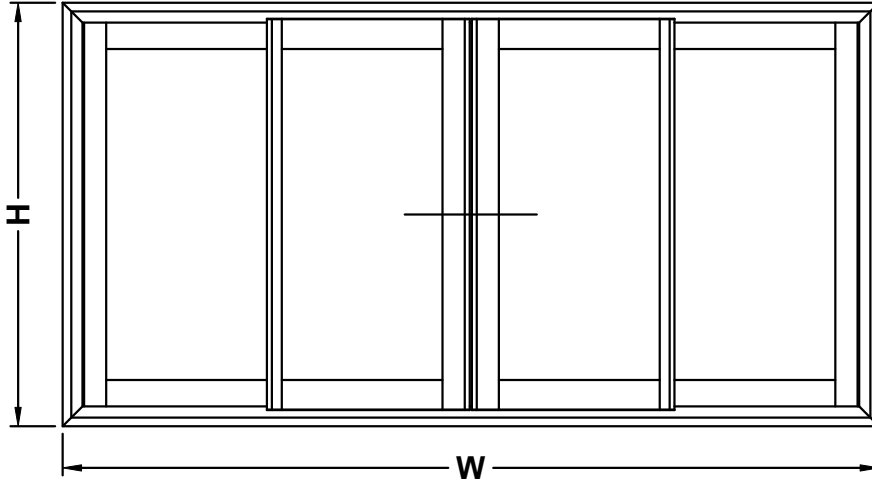
Detail 9B



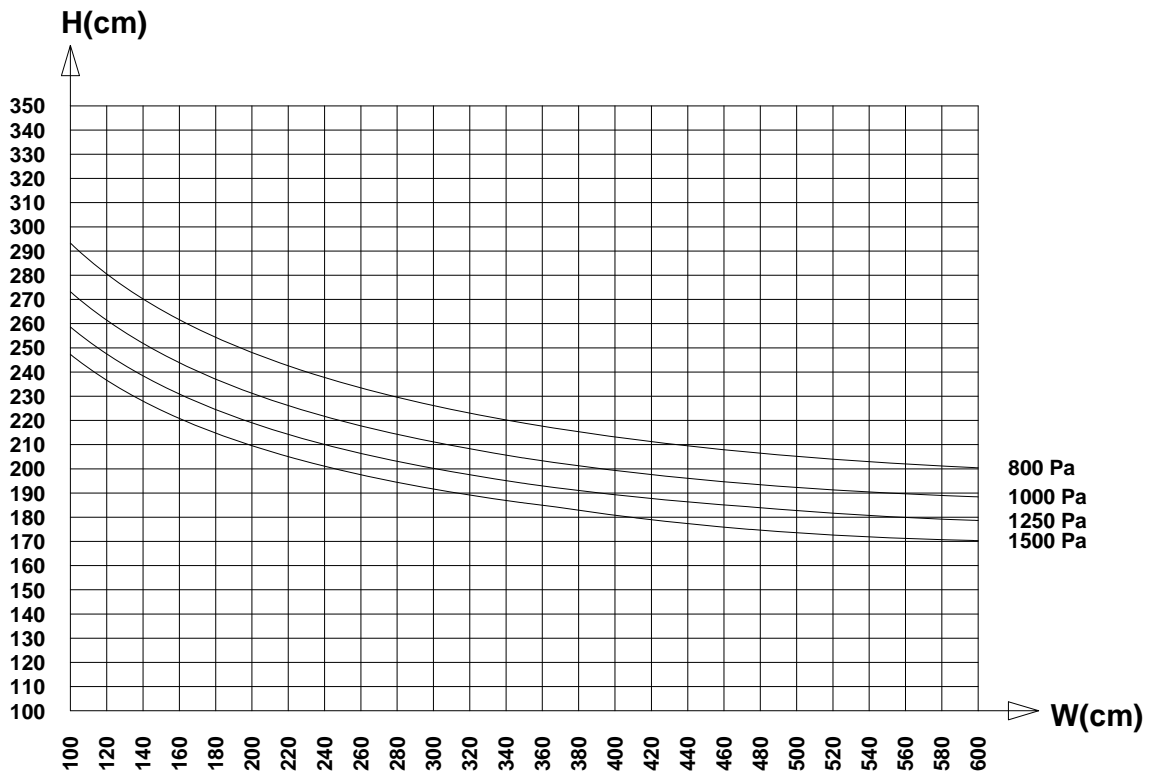
Detail 9C



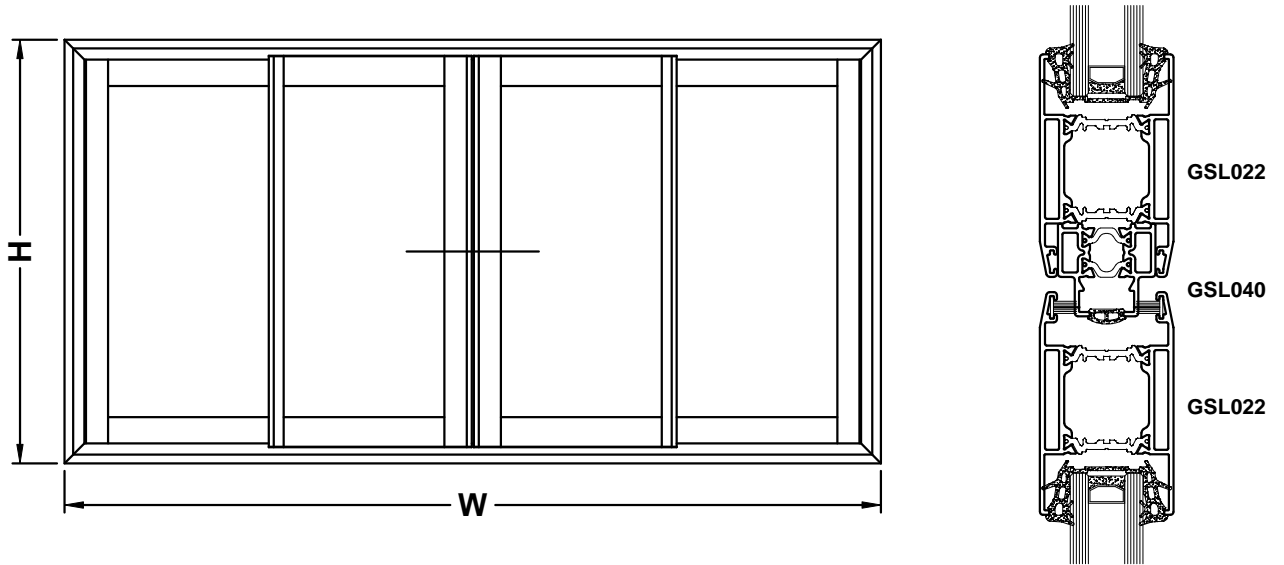
Section D



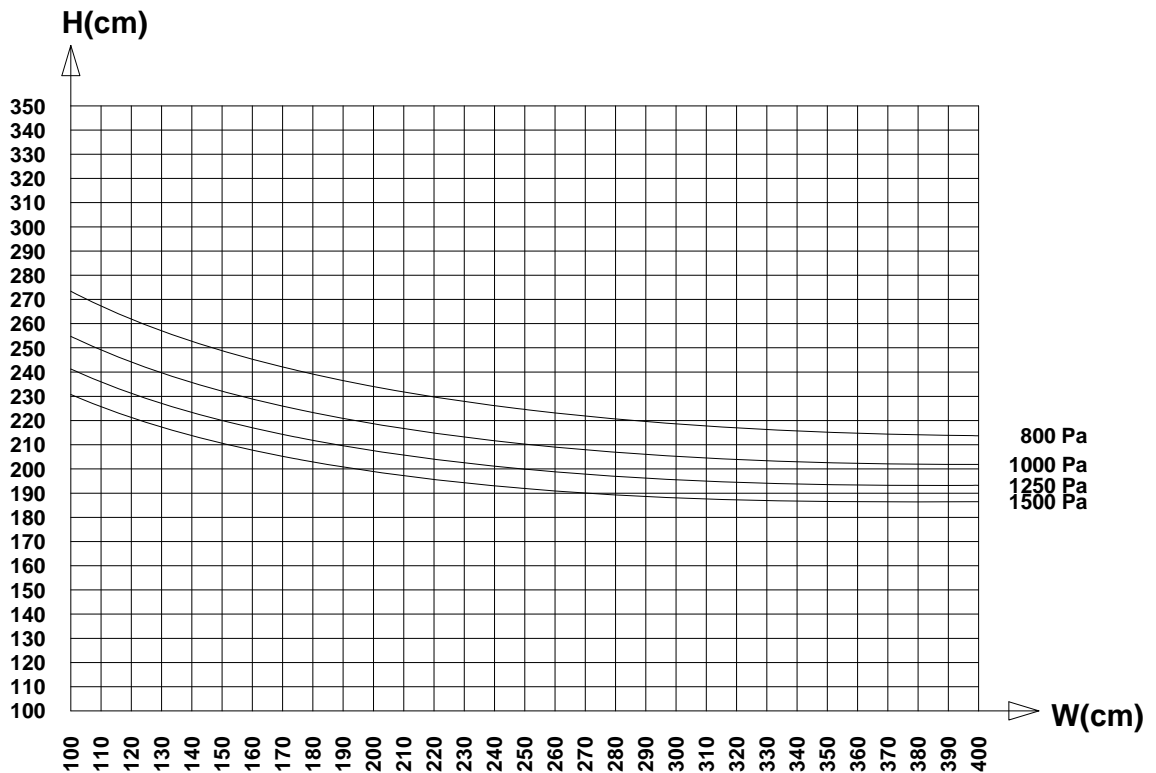
$I_{xx} = 30.53 \text{ cm}^4$
 $f_{max} = B/200 \text{ \& } B < 15 \text{ mm}$



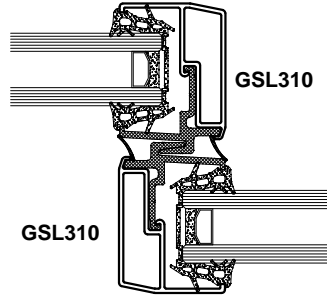
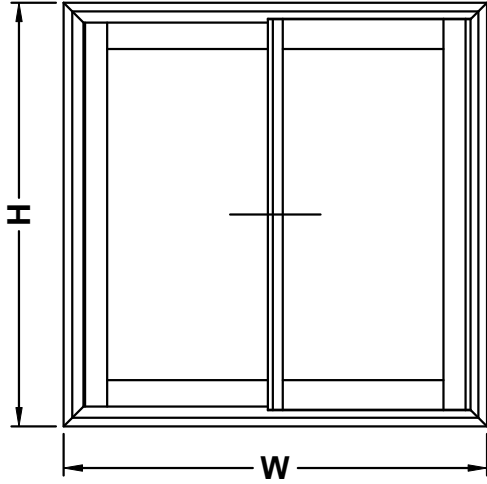
Do Not Scale From This Drawing



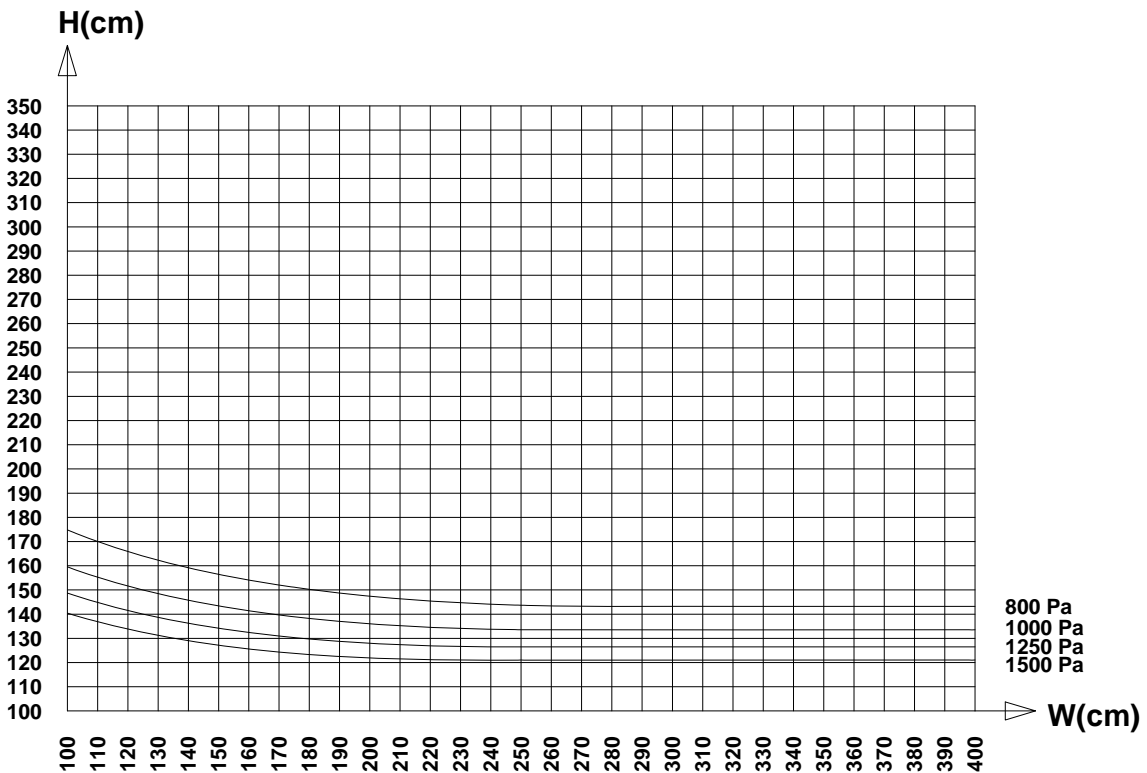
$I_{xx} = 34.44 \text{ cm}^4$
 $f_{max} = H/200 \text{ \& } H < 15 \text{ mm}$



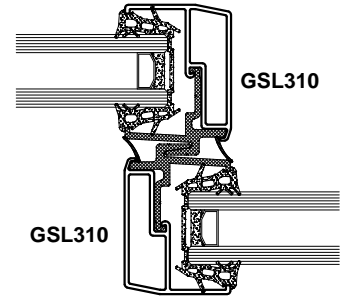
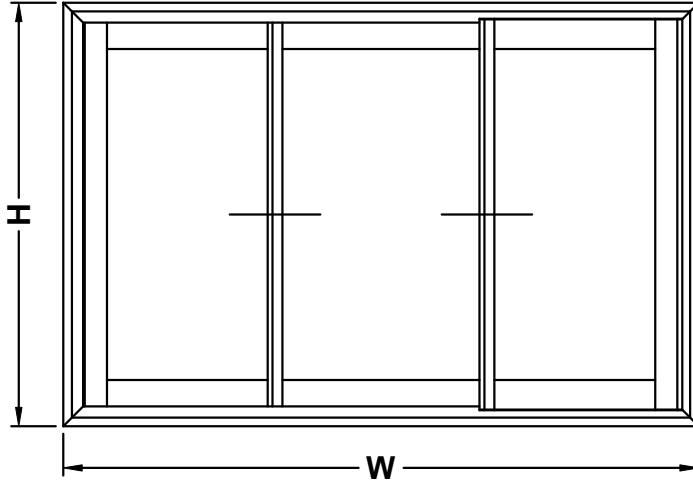
Do Not Scale From This Drawing



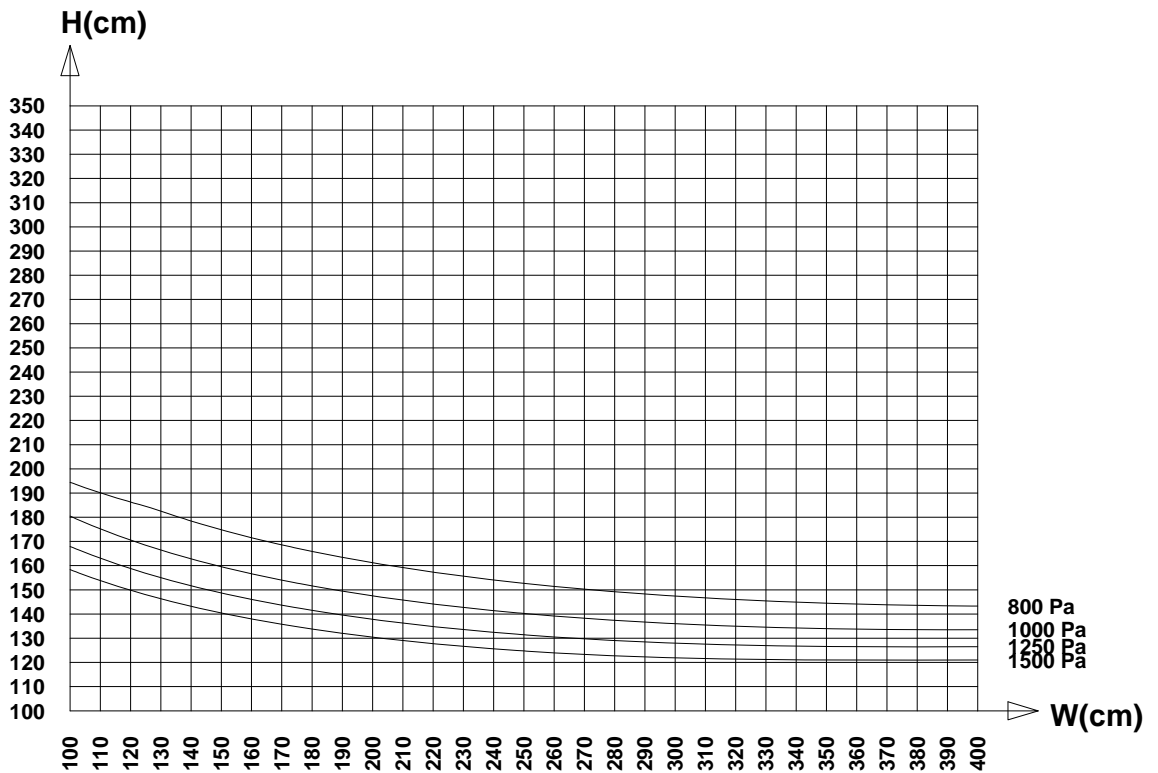
$I_{xx} = 7.59 \text{ cm}^4$
 $f_{max} = B/200 \ \& \ B < 15 \text{ mm}$



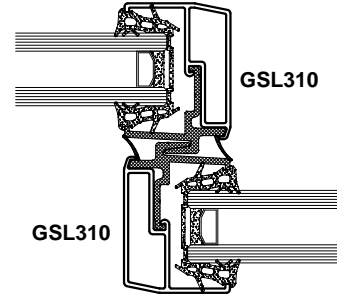
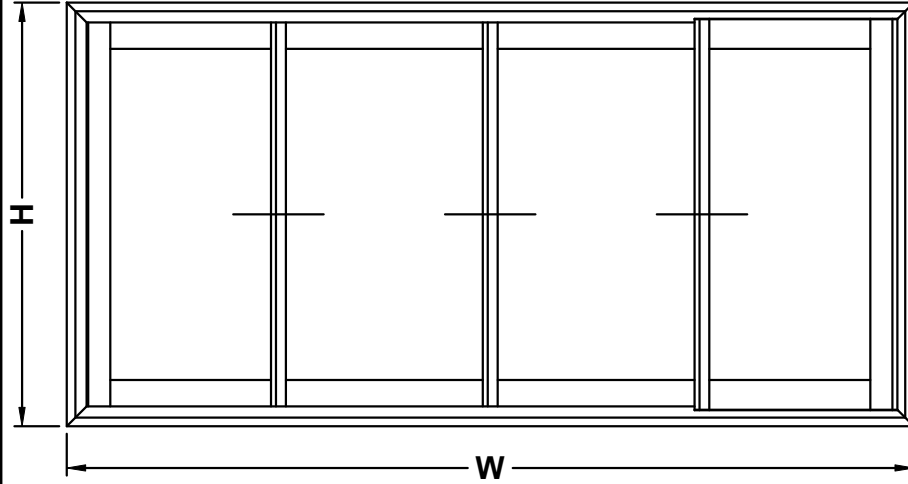
Do Not Scale From This Drawing



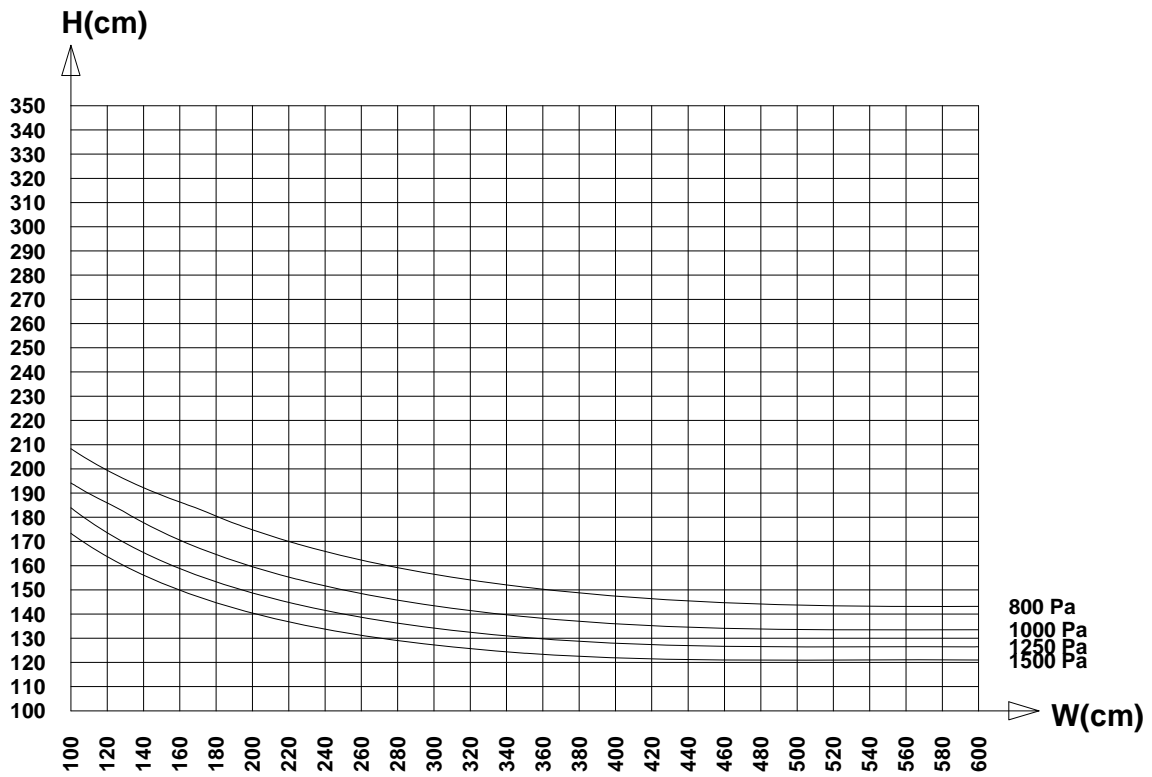
$I_{xx} = 7.59 \text{ cm}^4$
 $f_{max} = B/200 \text{ \& } B < 15 \text{ mm}$



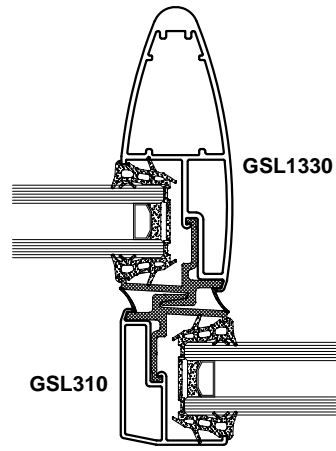
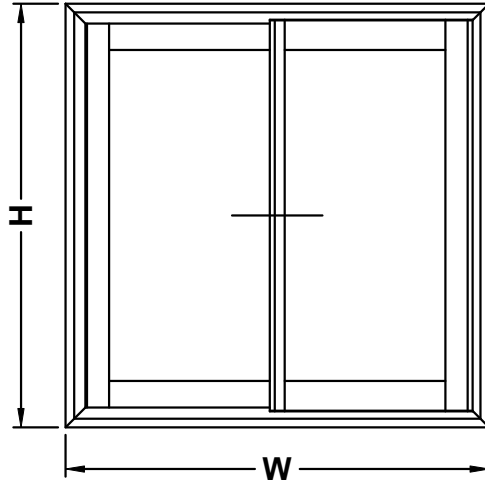
Do Not Scale From This Drawing



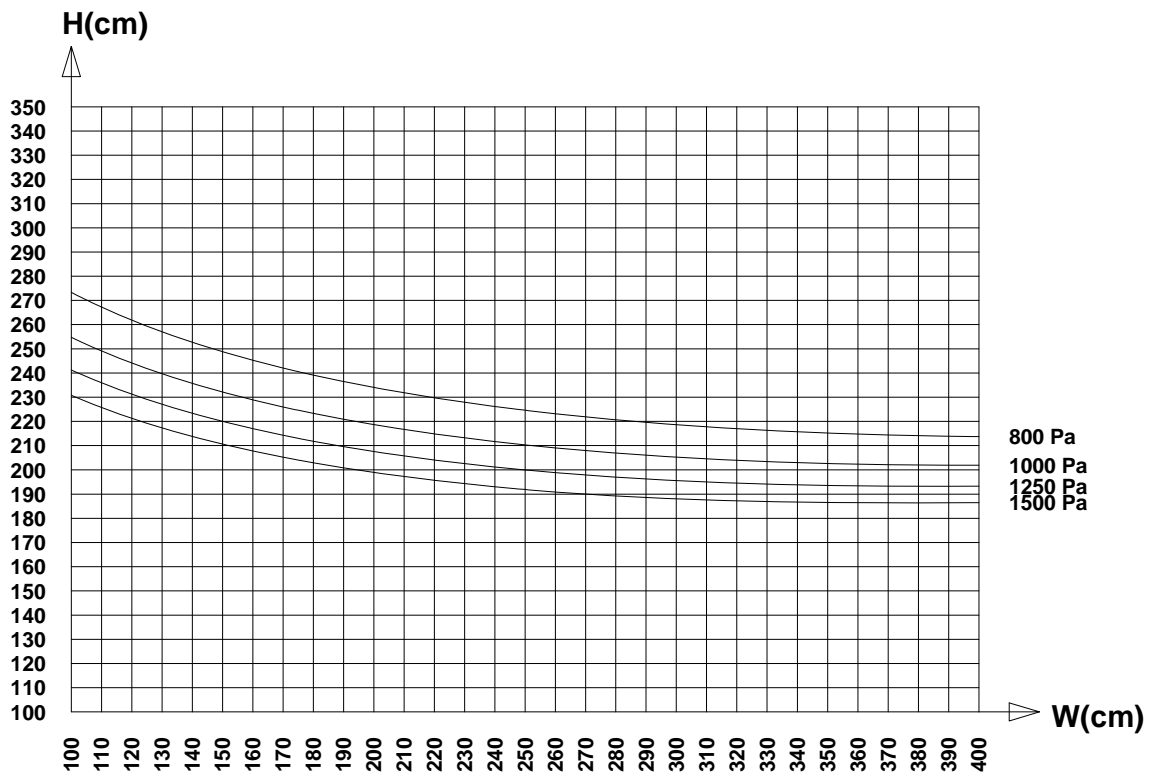
$I_{xx} = 7.59 \text{ cm}^4$
 $f_{max} = B/200 \text{ \& } B < 15 \text{ mm}$



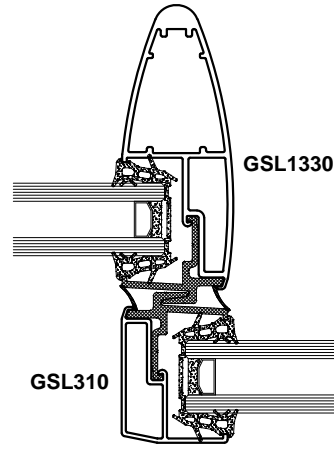
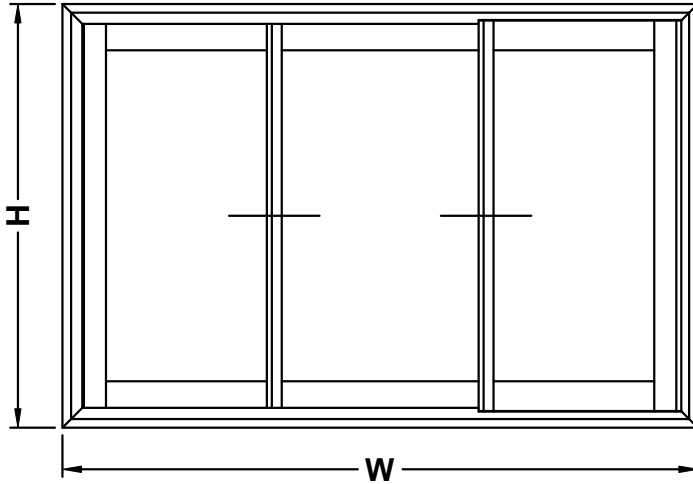
Do Not Scale From This Drawing



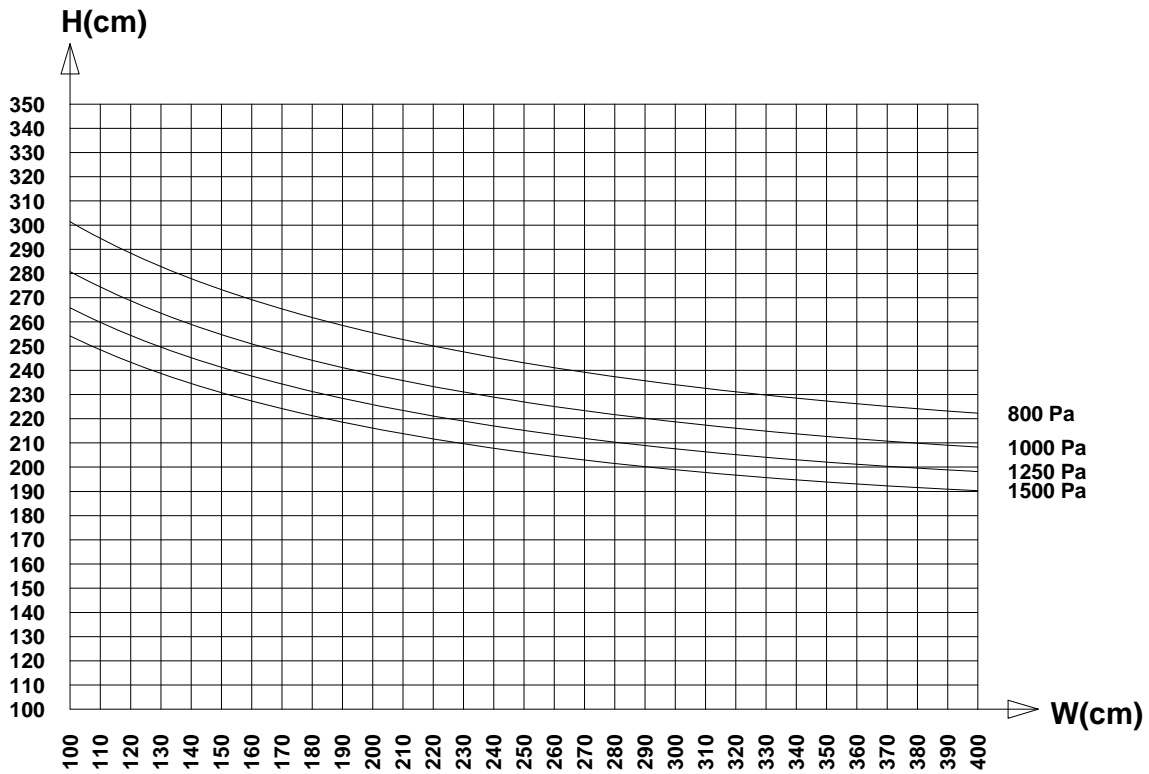
$I_{xx} = 42.65 \text{ cm}^4$
 $f_{max} = B/200 \text{ \& } B < 15\text{mm}$



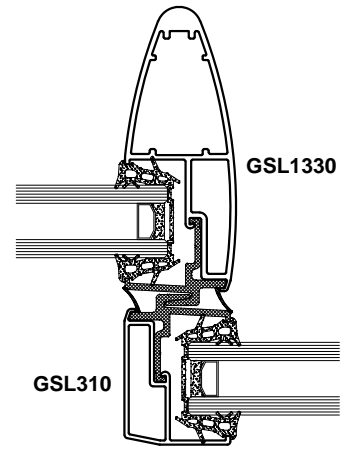
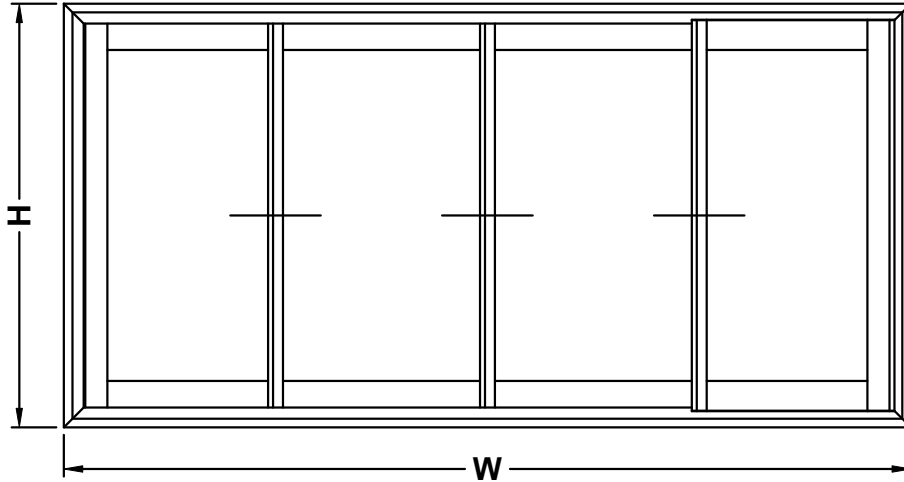
Do Not Scale From This Drawing



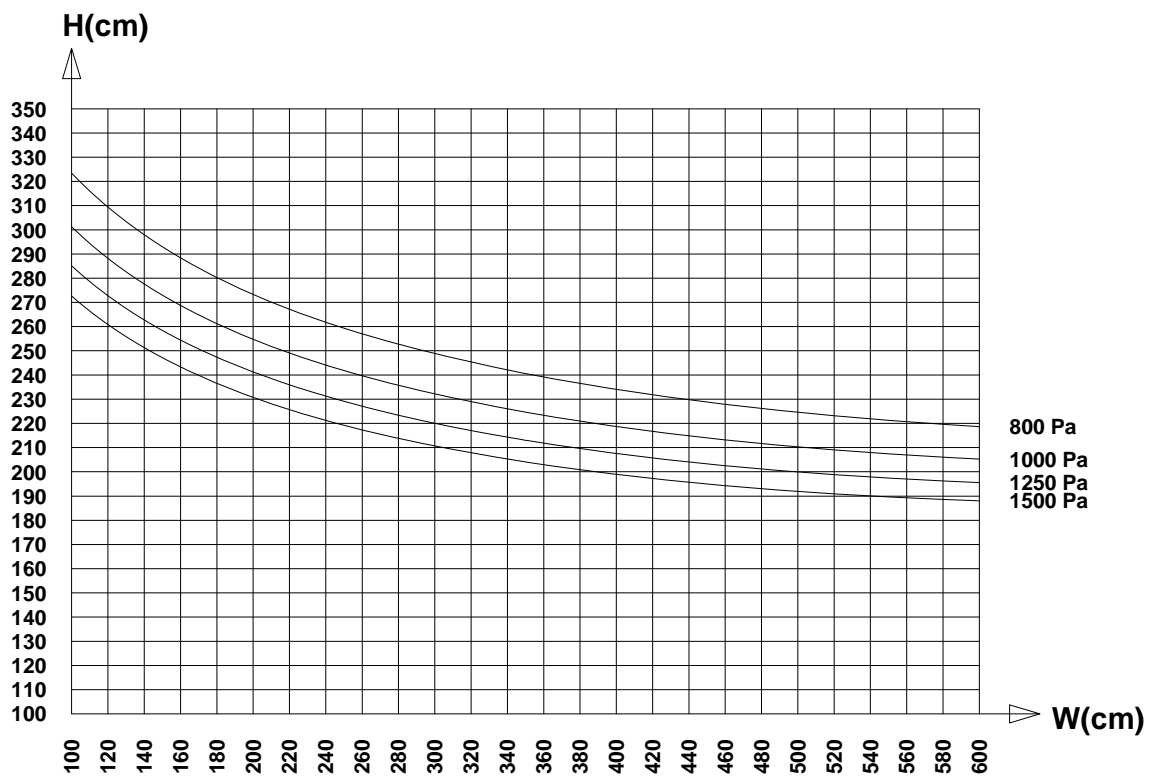
$I_{xx} = 42.65 \text{ cm}^4$
 $f_{max} = B/200 \text{ \& } B < 15\text{mm}$



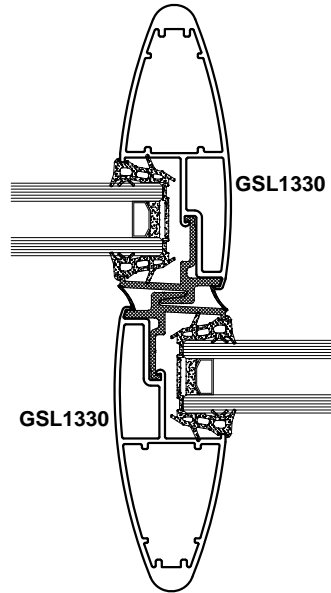
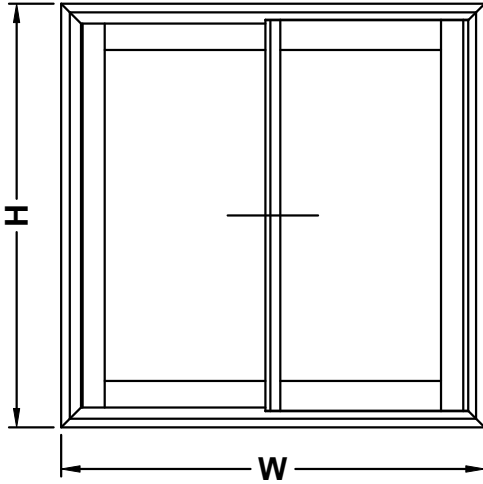
Do Not Scale From This Drawing



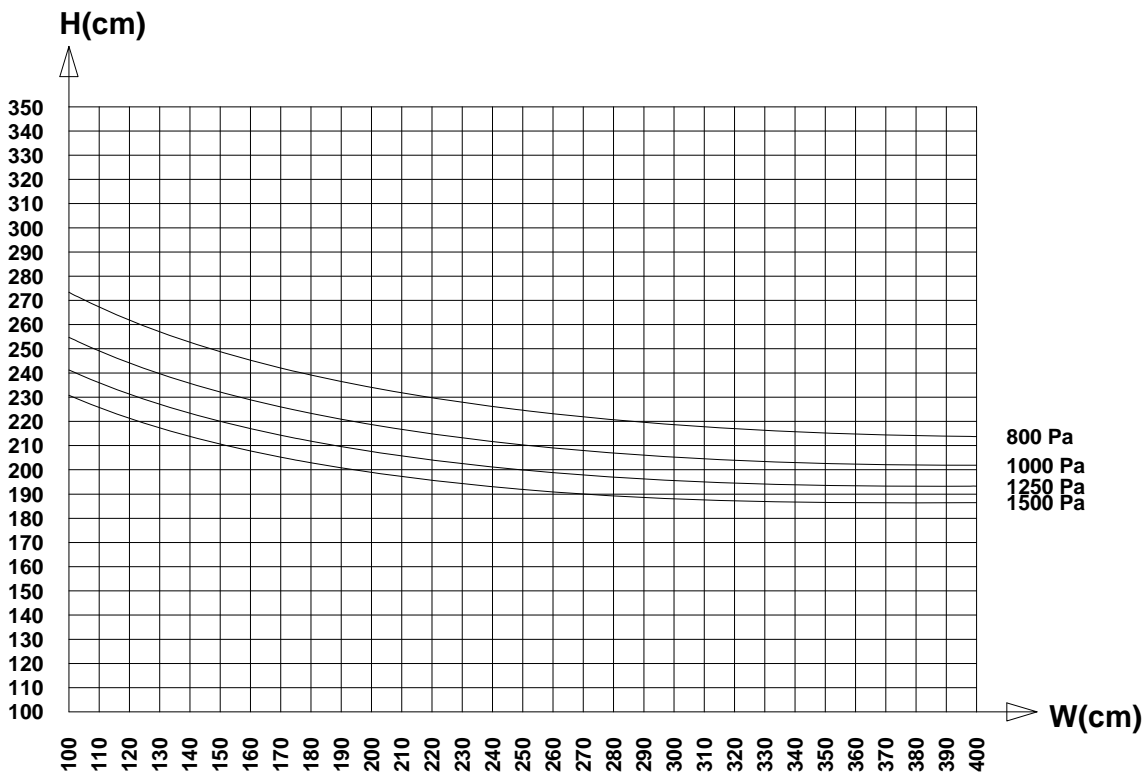
$I_{xx} = 42.65 \text{ cm}^4$
 $f_{max} = B/200 \text{ \& } B < 15\text{mm}$



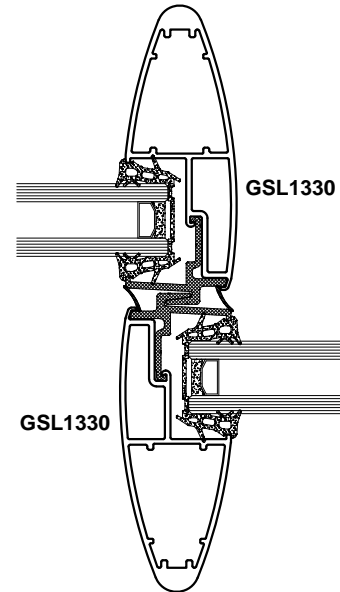
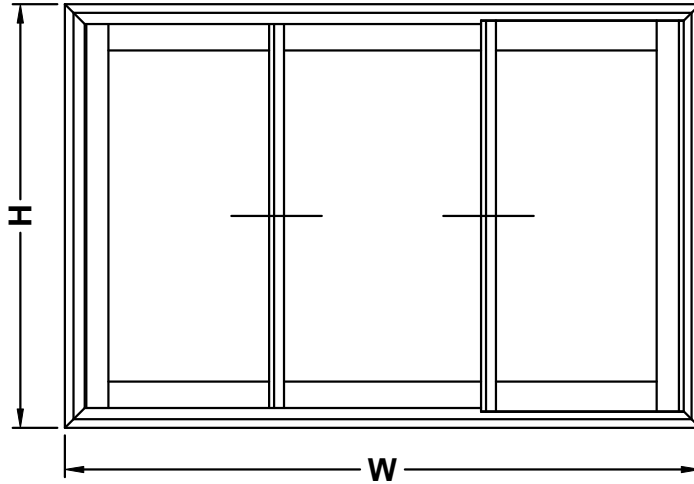
Do Not Scale From This Drawing



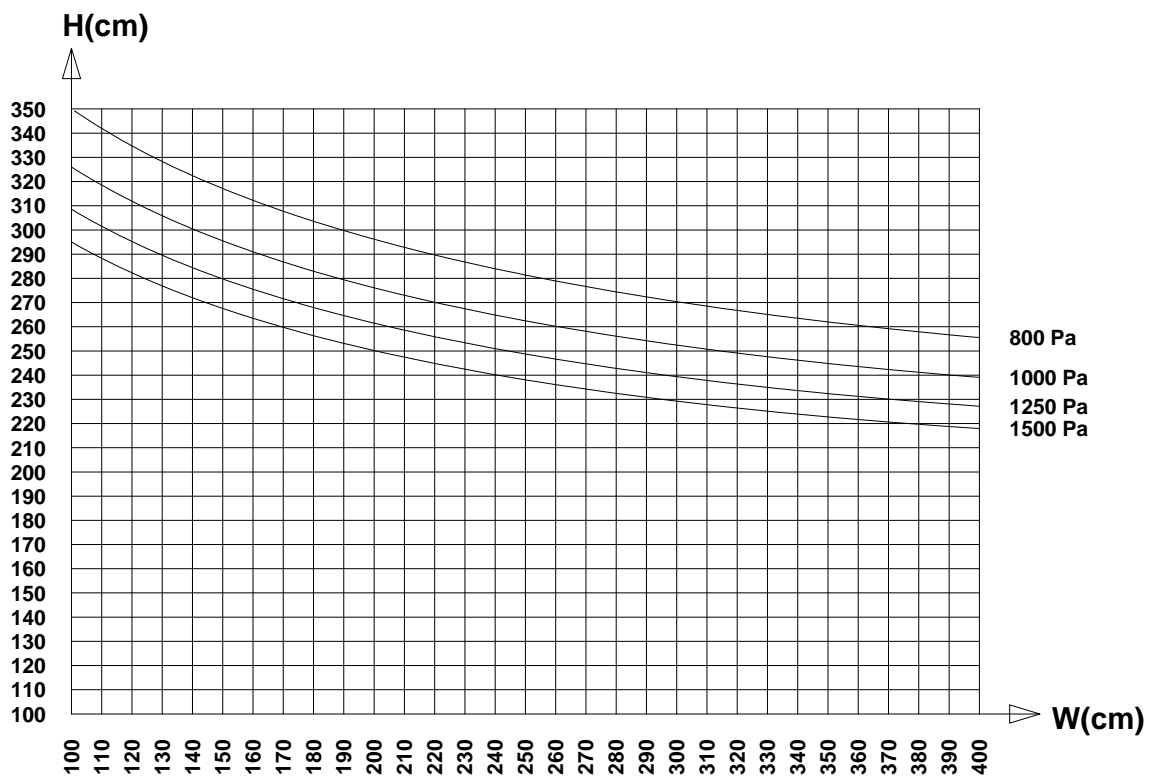
$I_{xx} = 83.19 \text{ cm}^4$
 $f_{max} = B/200 \text{ \& } B < 15 \text{ mm}$



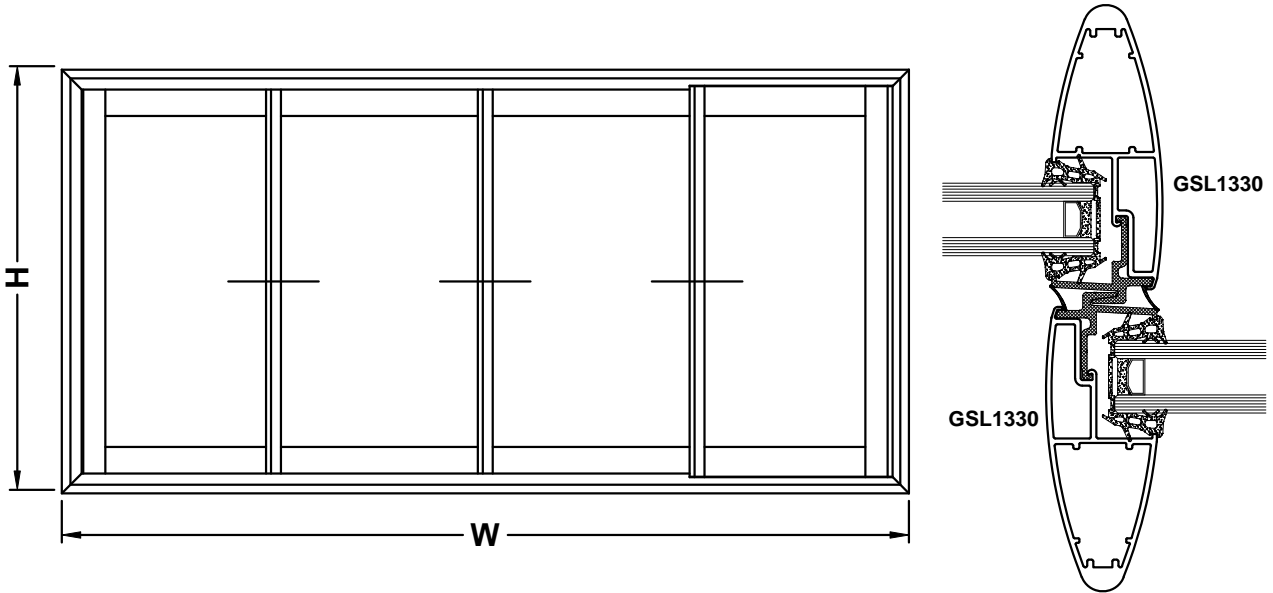
Do Not Scale From This Drawing



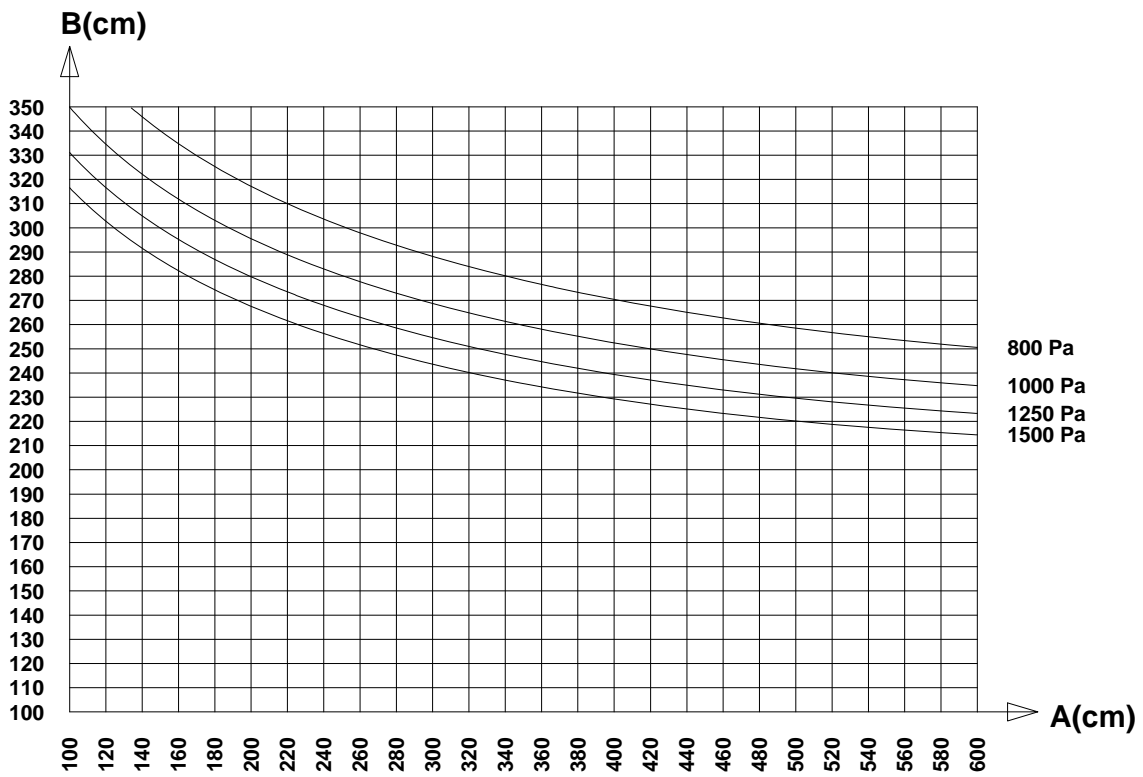
$I_{xx} = 83.19 \text{ cm}^4$
 $f_{max} = B/200 \text{ \& } B < 15 \text{ mm}$



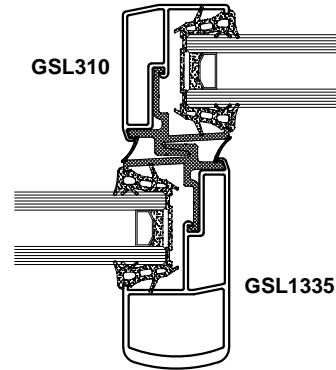
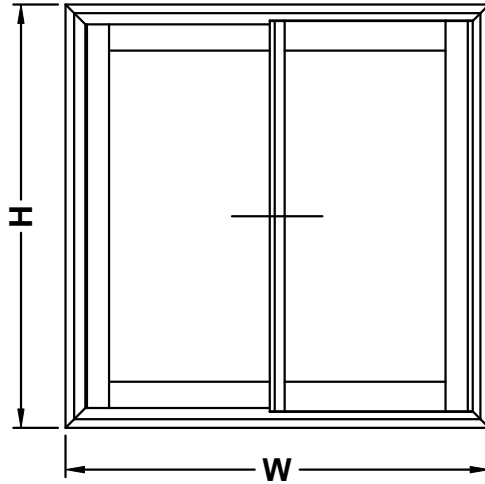
Do Not Scale From This Drawing



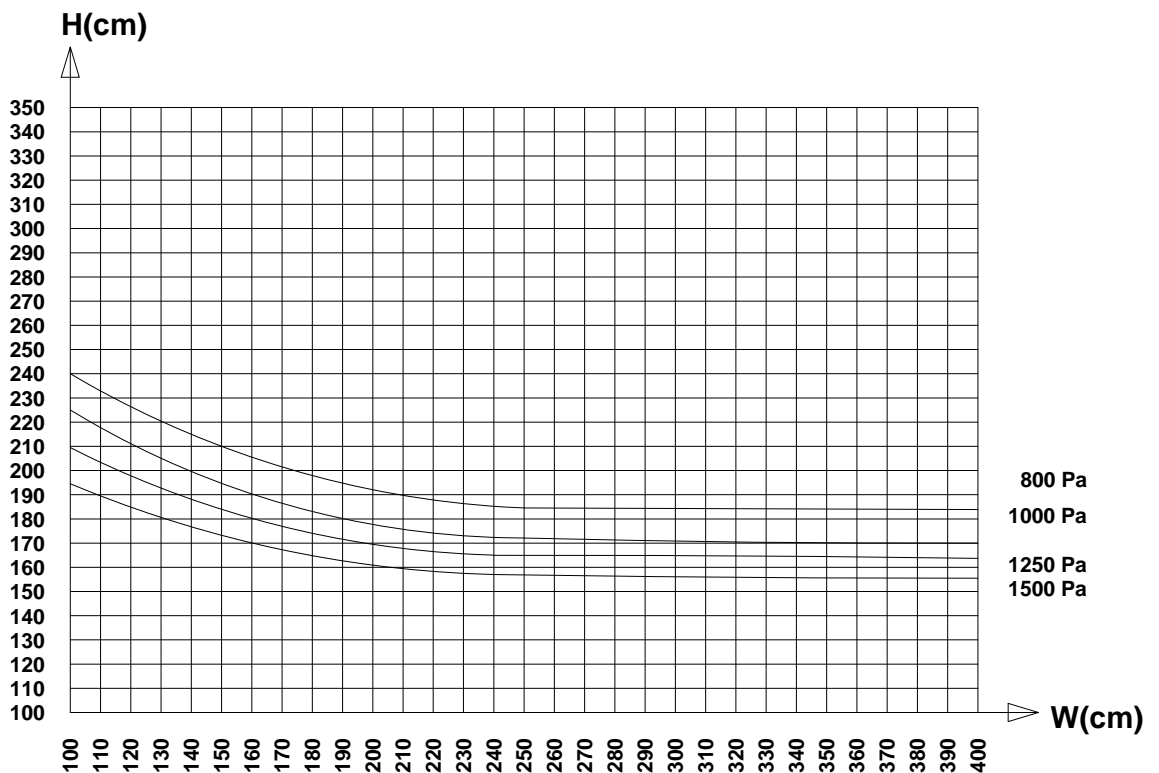
$I_{xx} = 83.19 \text{ cm}^4$
 $f_{max} = B/200 \text{ \& } B < 15 \text{ mm}$



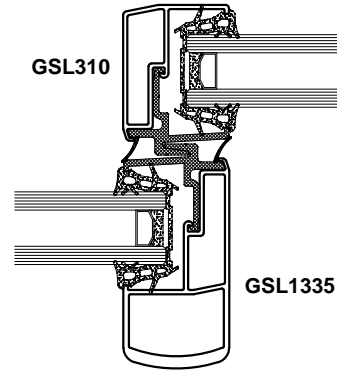
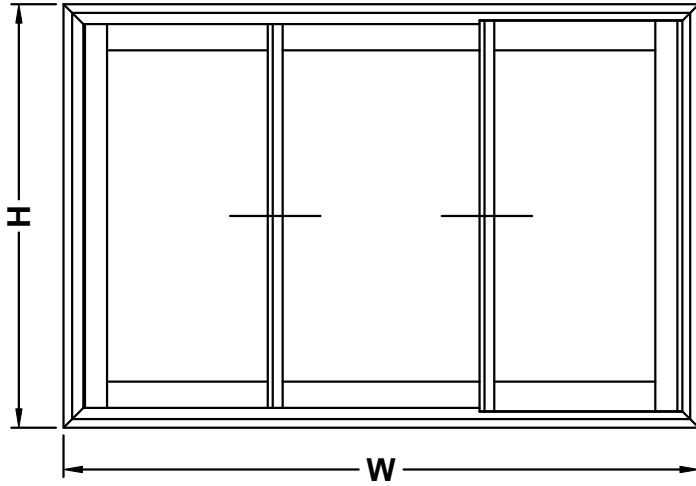
Do Not Scale From This Drawing



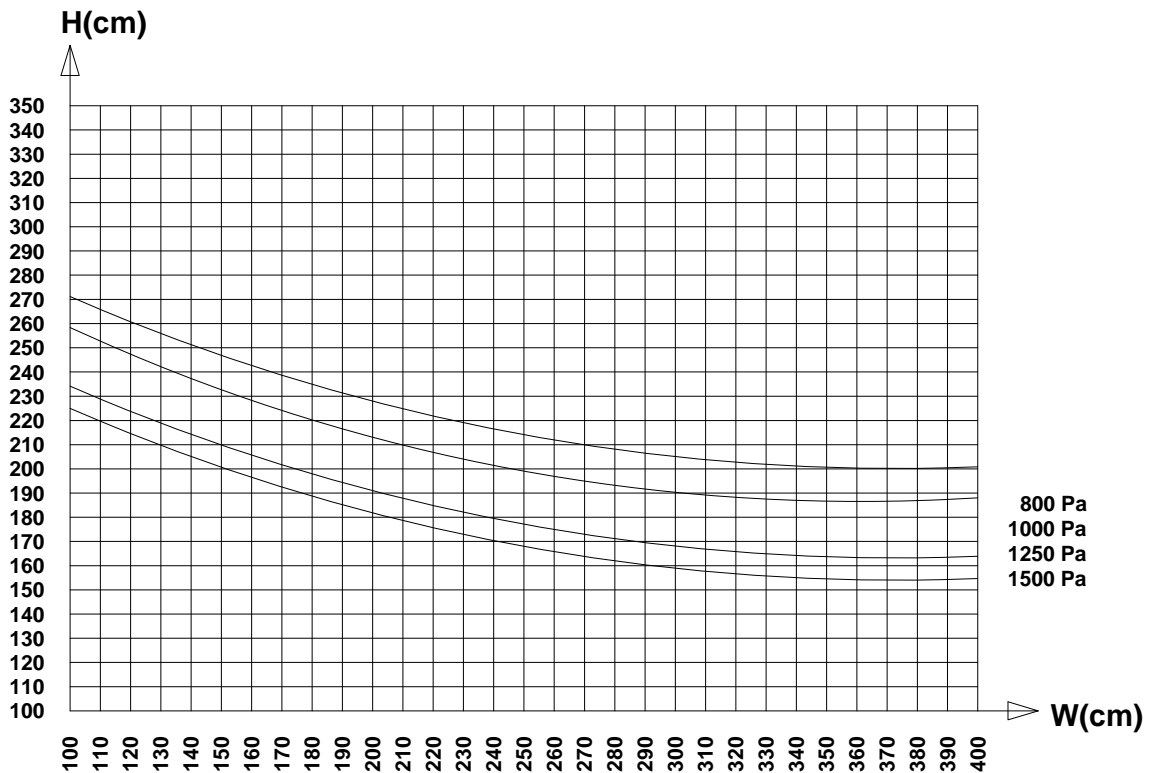
$I_{xx} = 20.42 \text{ cm}^4$
 $f_{max} = H/200 \text{ \& } H < 15 \text{ mm}$



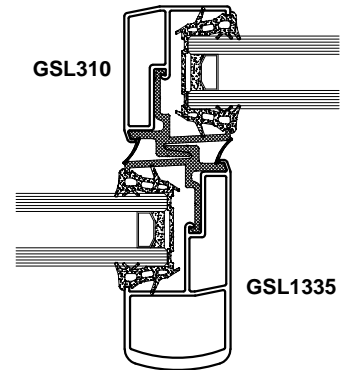
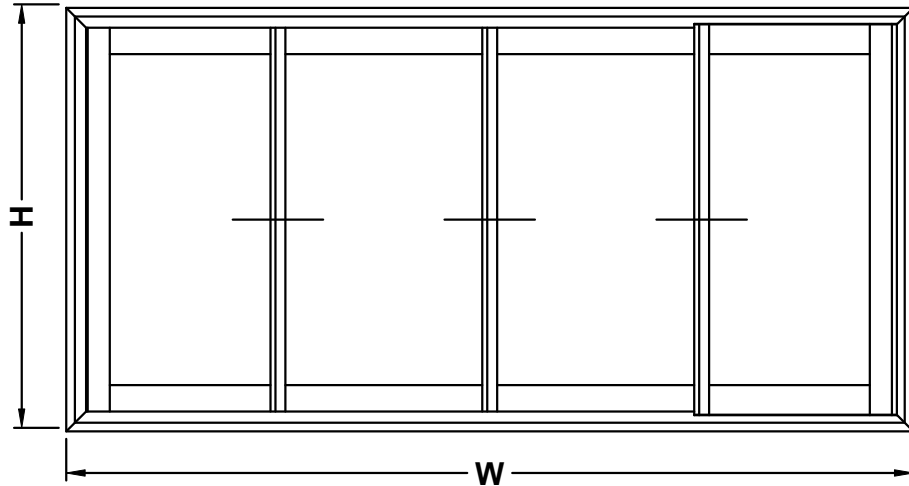
Do Not Scale From This Drawing



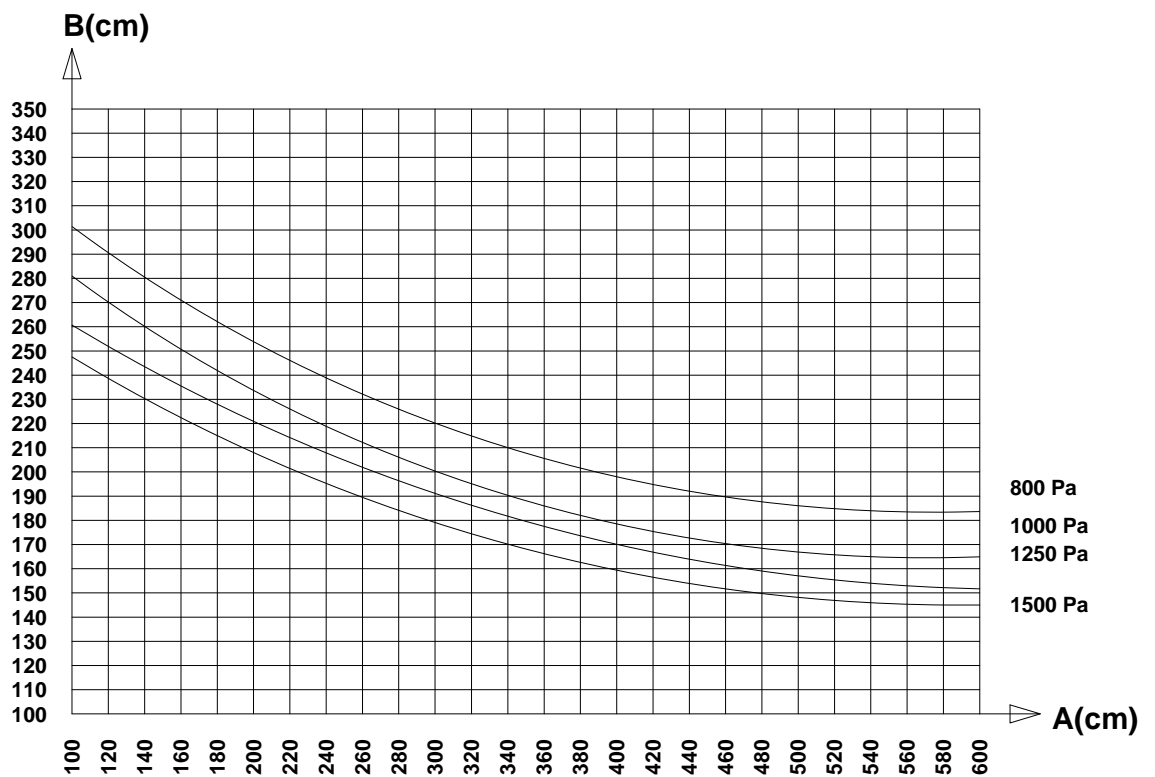
$I_{xx} = 20.42 \text{ cm}^4$
 $f_{max} = H/200 \text{ \& } H < 15 \text{ mm}$



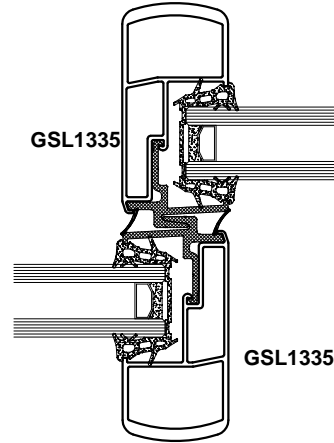
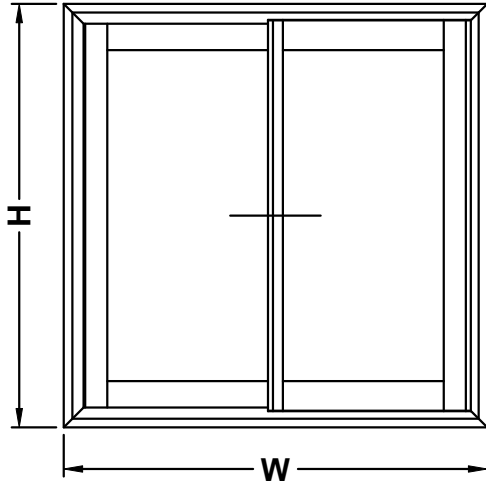
Do Not Scale From This Drawing



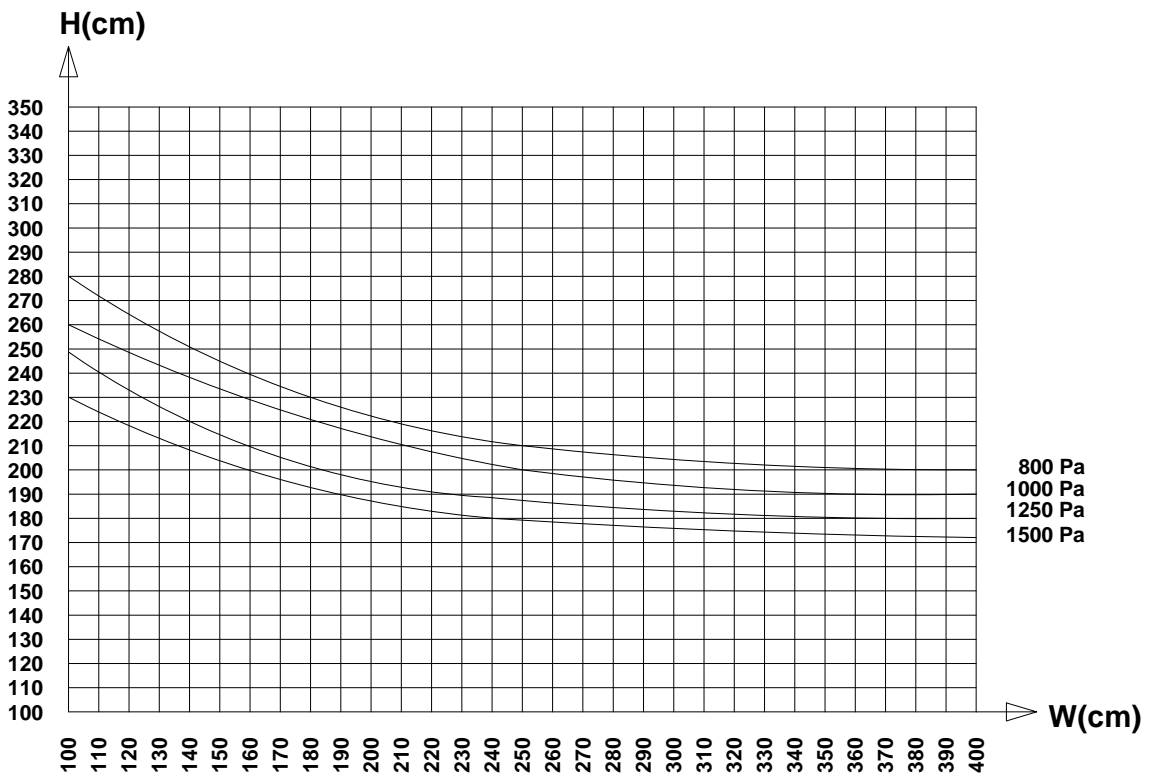
$I_{xx} = 20.42 \text{ cm}^4$
 $f_{max} = H/200 \text{ \& } H < 15 \text{ mm}$



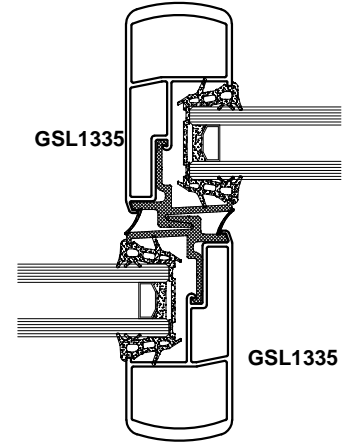
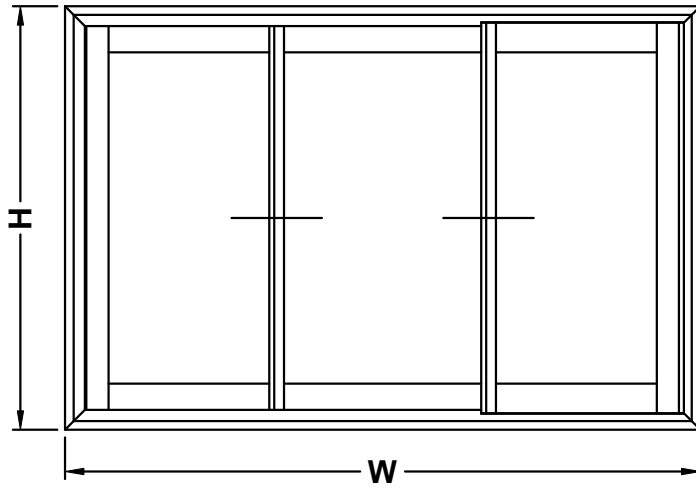
Do Not Scale From This Drawing



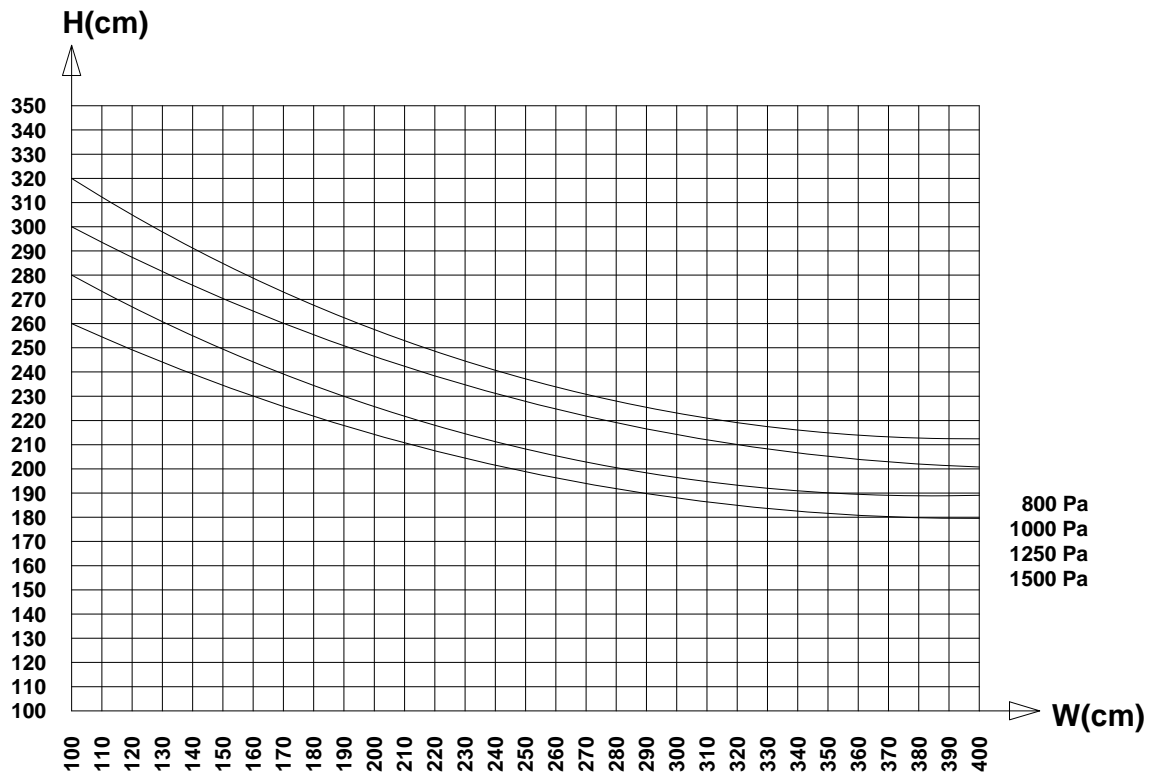
$I_{xx} = 33.26 \text{ cm}^4$
 $f_{max} = H/200 \text{ \& } H < 15 \text{ mm}$



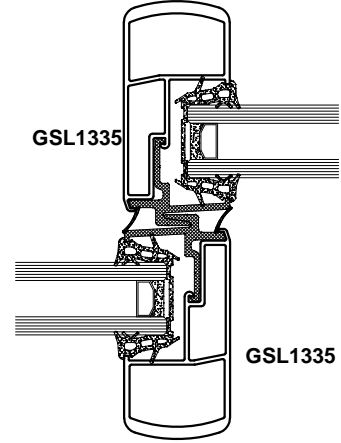
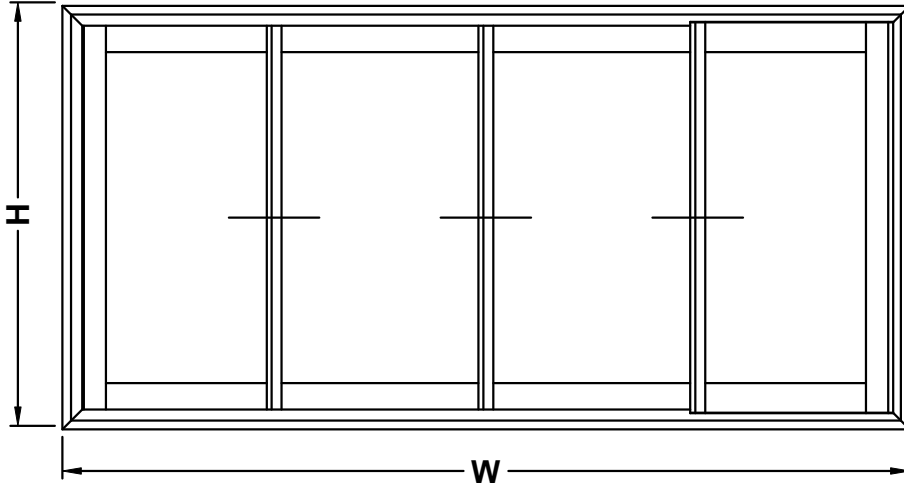
Do Not Scale From This Drawing



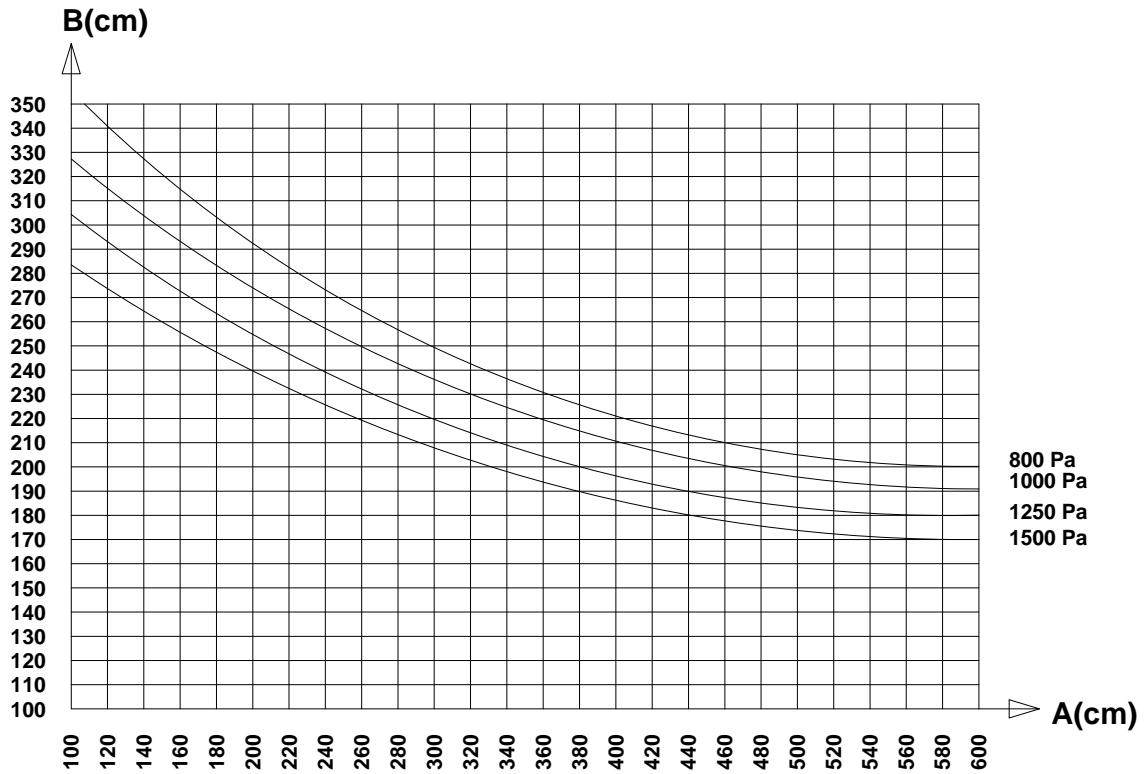
$I_{xx} = 33.26 \text{ cm}^4$
 $f_{max} = H/200 \text{ \& } H < 15 \text{ mm}$



Do Not Scale From This Drawing



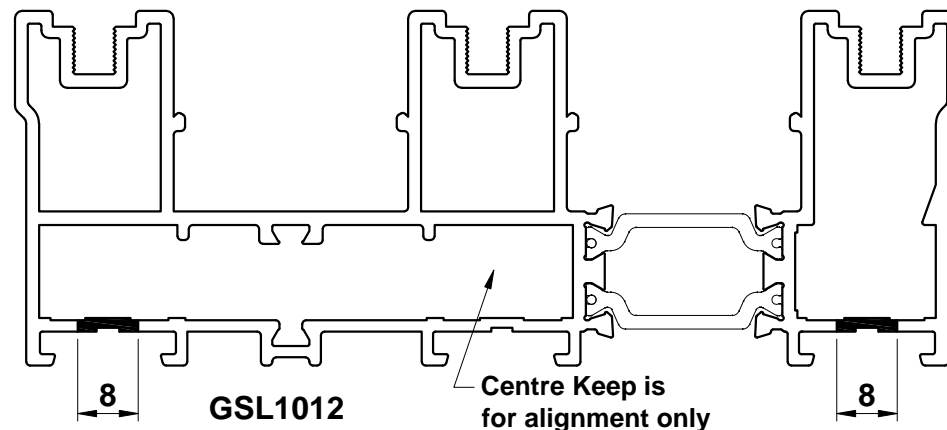
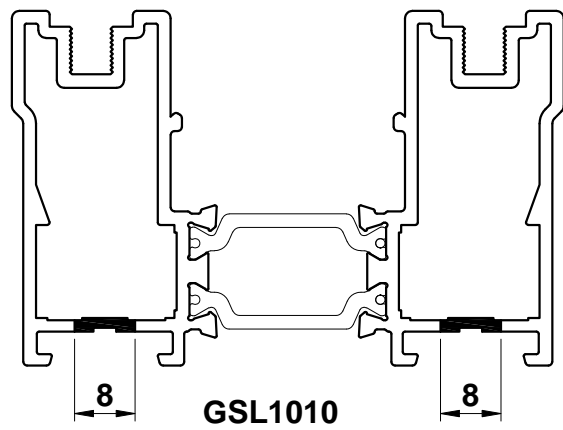
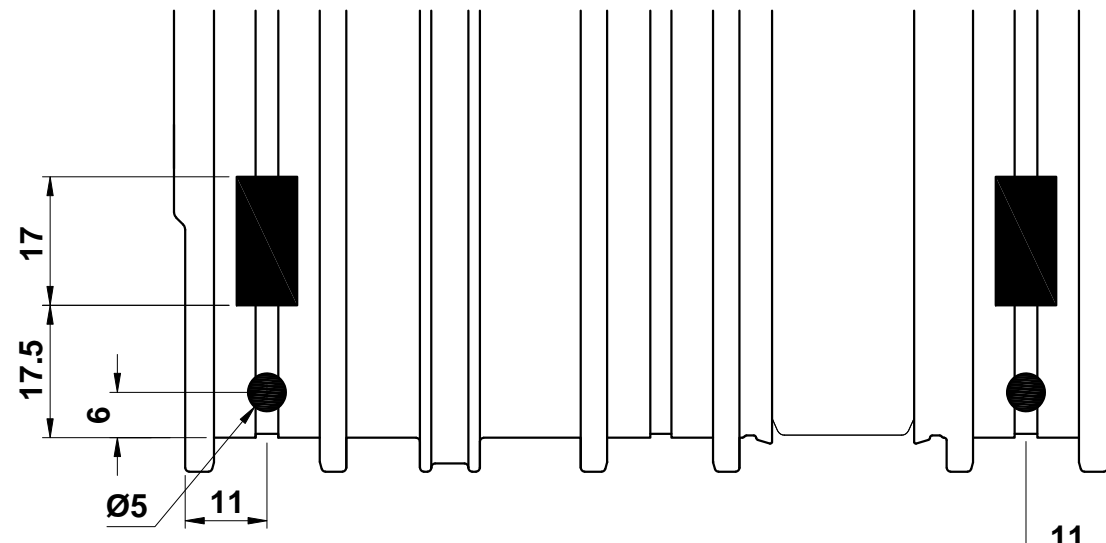
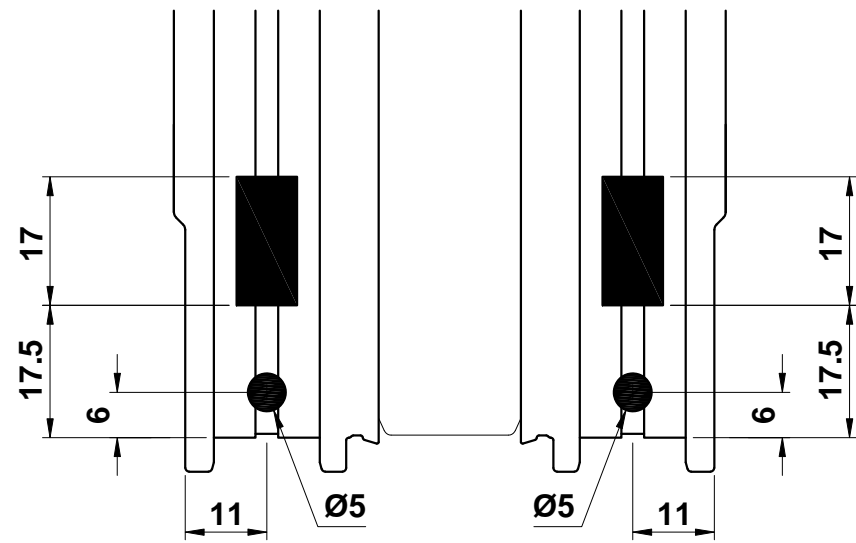
$I_{xx} = 33.26 \text{ cm}^4$
 $f_{max} = H/200 \text{ \& } H < 15 \text{ mm}$



Do Not Scale From This Drawing

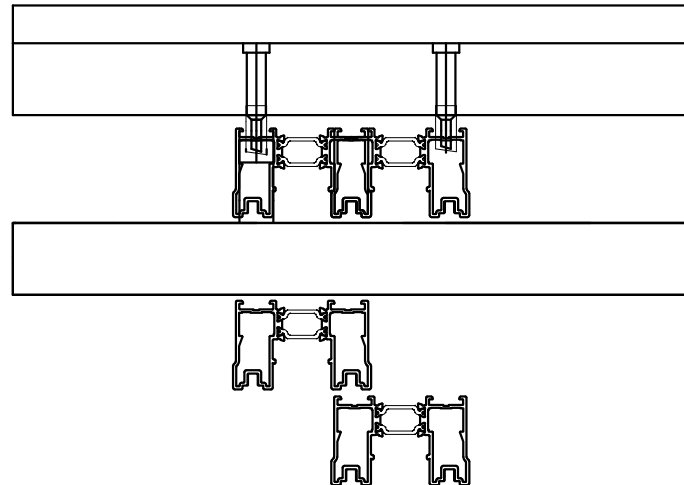
Section E

Outer Frame Corner Details & Punch Tooling



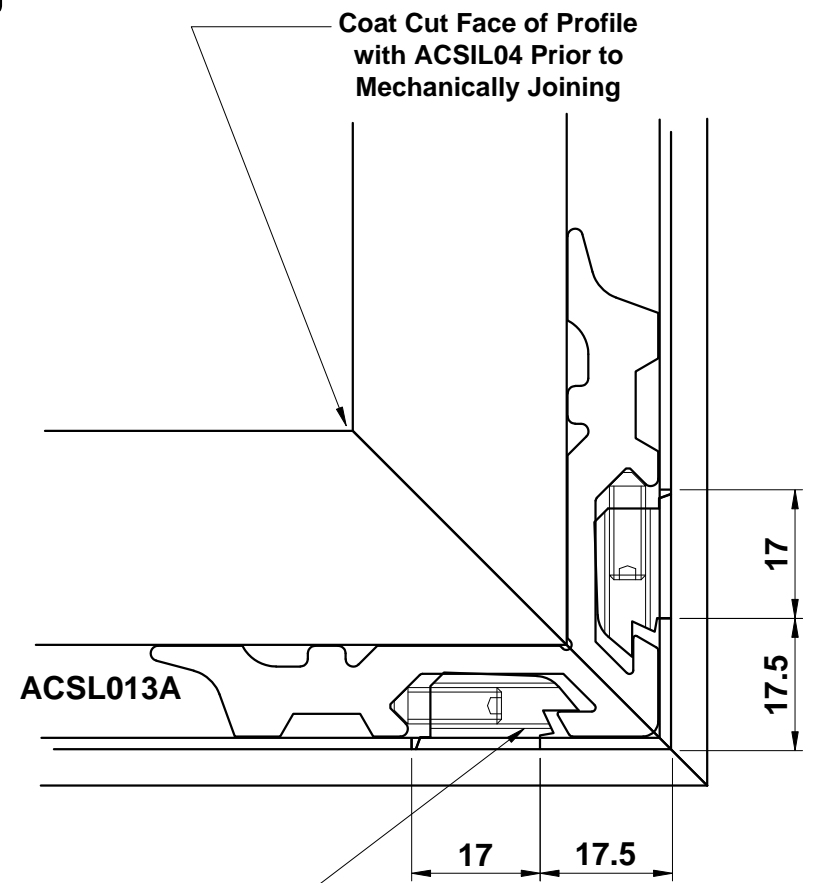
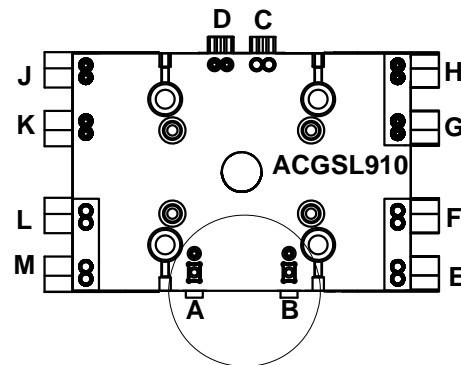
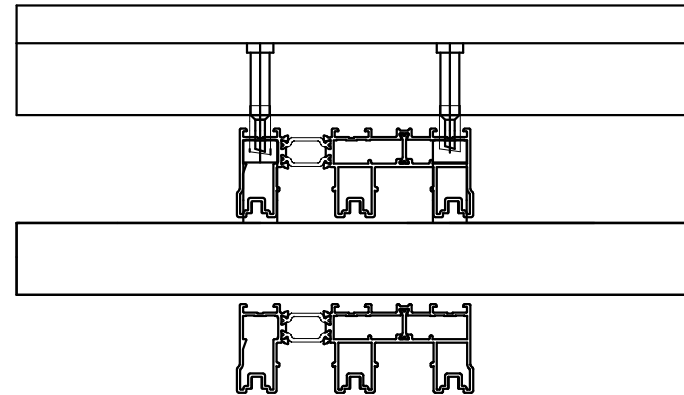
Punch Tool
ACGSL910

A B



Punch Tool
ACGSL910

A B

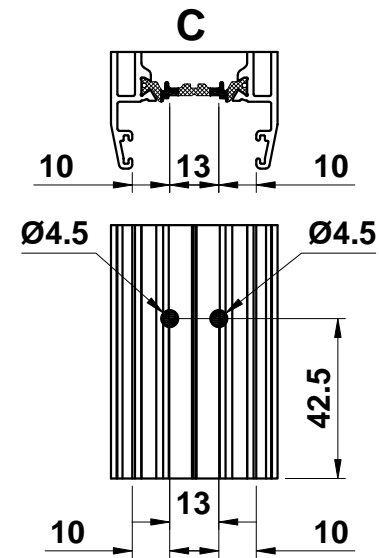


Apply Glue (ACSL013) to all cleat apertures

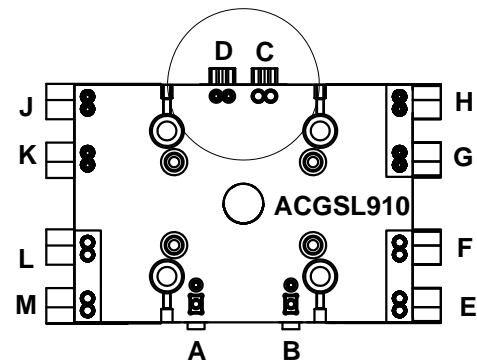
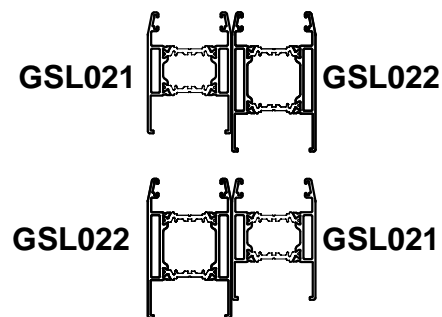
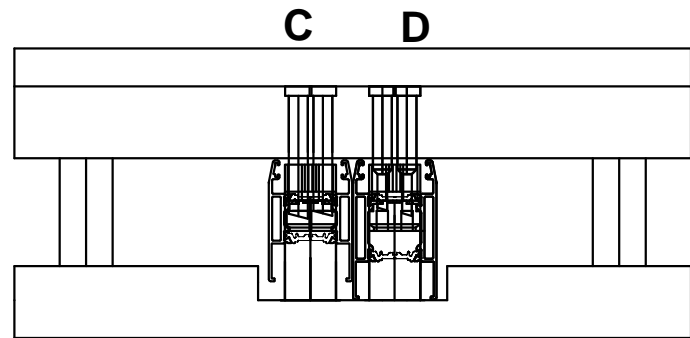
Do Not Scale From This Drawing

Sash Punch Tooling

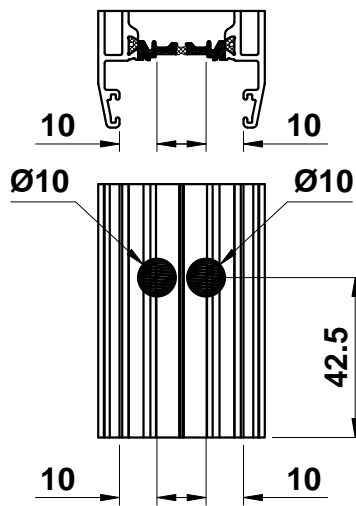
Stile Top & Bottom Track Clearance



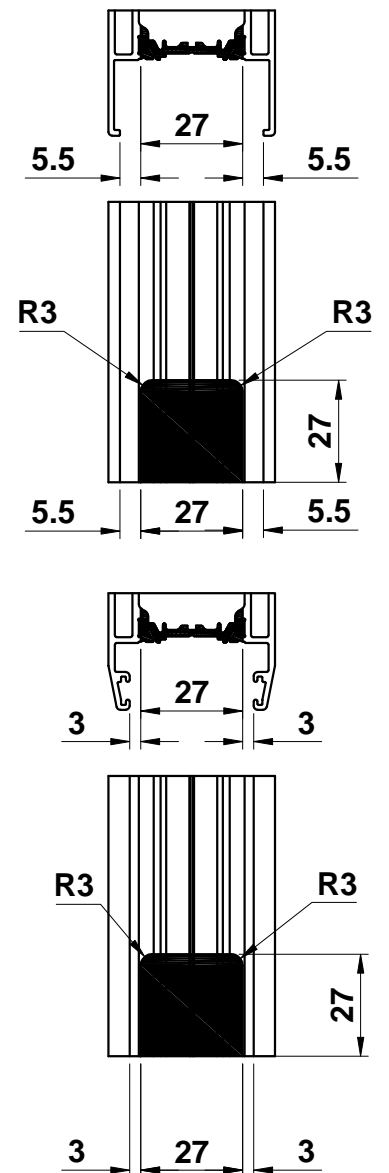
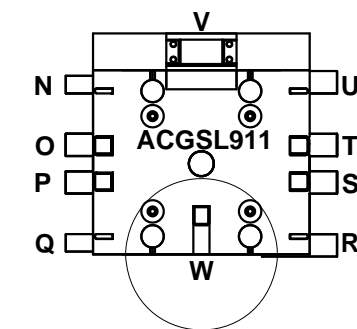
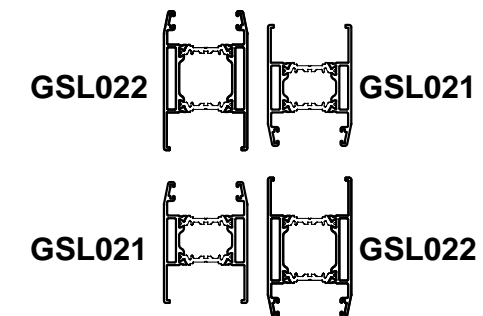
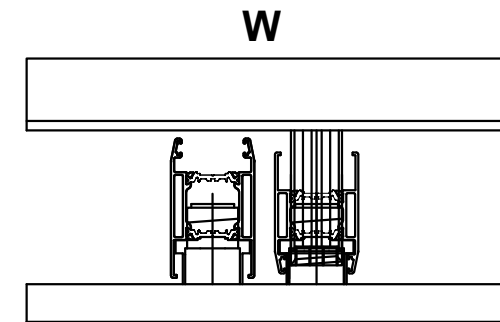
Punch Tool
ACGSL910



D



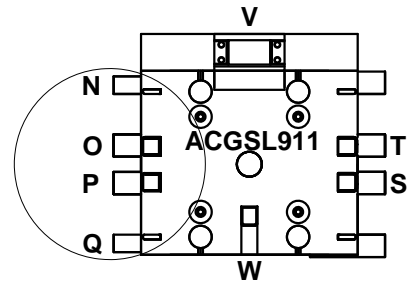
Punch Tool
ACGSL911



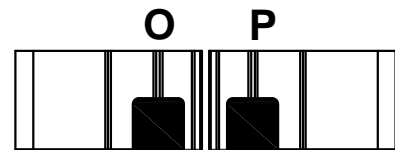
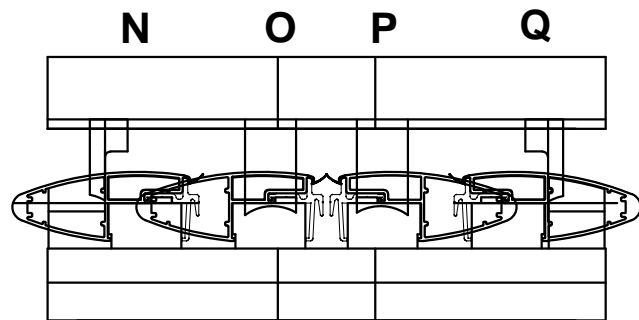
Do Not Scale From This Drawing

Sash Punch Tooling

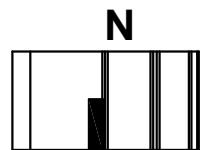
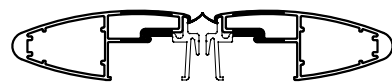
Interlock Top & Bottom Track Clearance



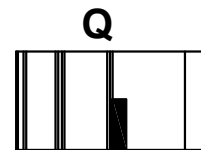
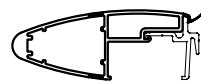
**Punch Tool
ACGSL911**



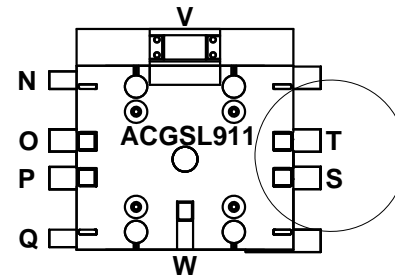
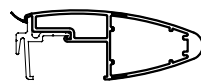
GSL1330



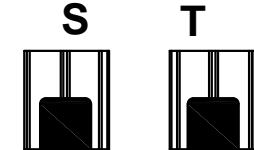
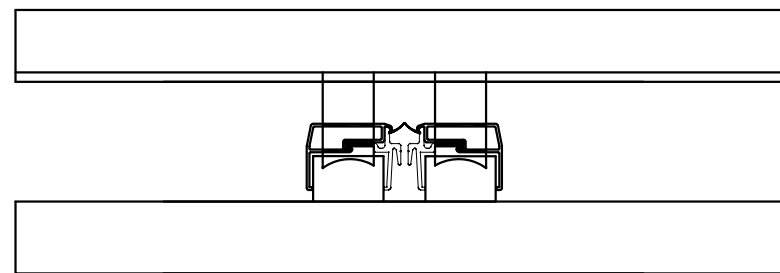
GSL1330



GSL1330



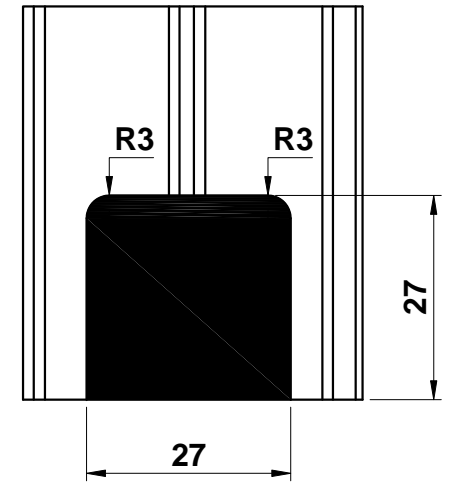
**Punch Tool
ACGSL911**



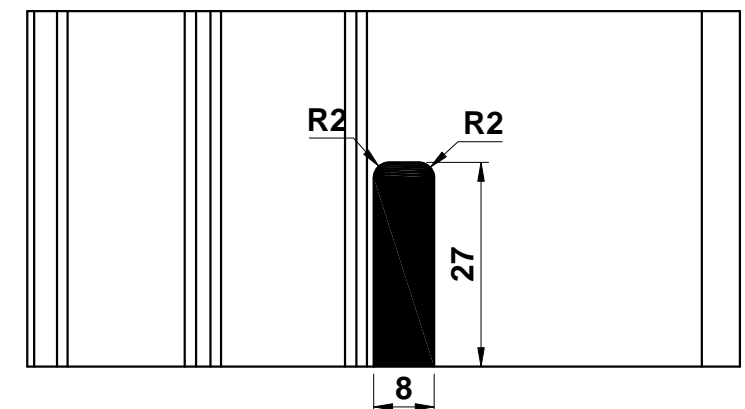
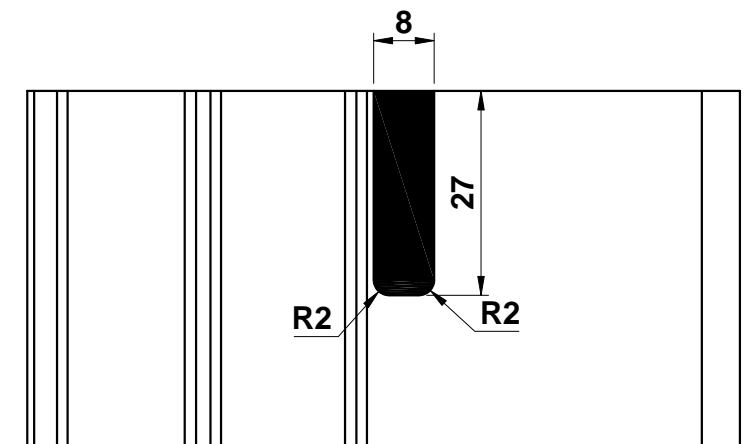
GSL310



**Cut-Out Detail
O, P, S & T**



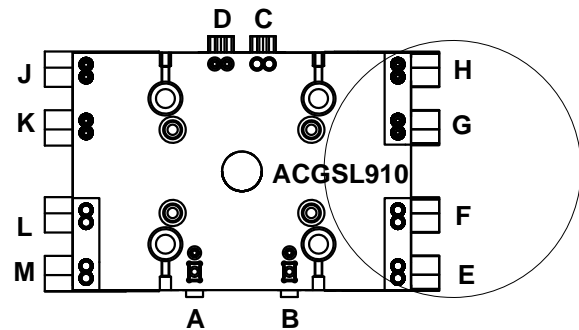
**Cut-Out Detail
N & Q**



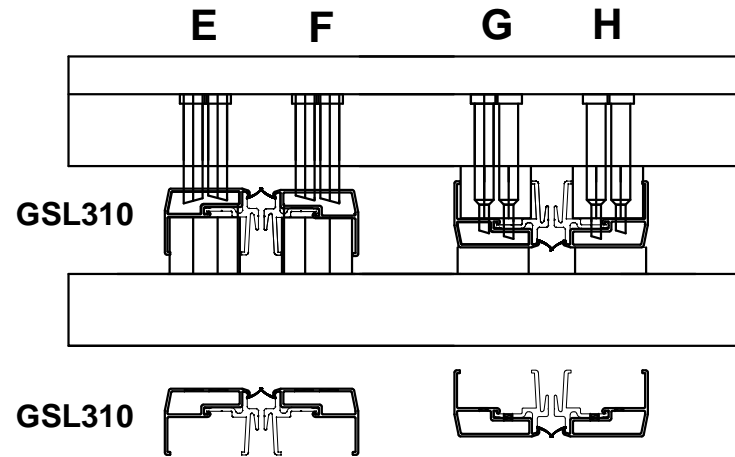
Do Not Scale From This Drawing

Sash Punch Tooling

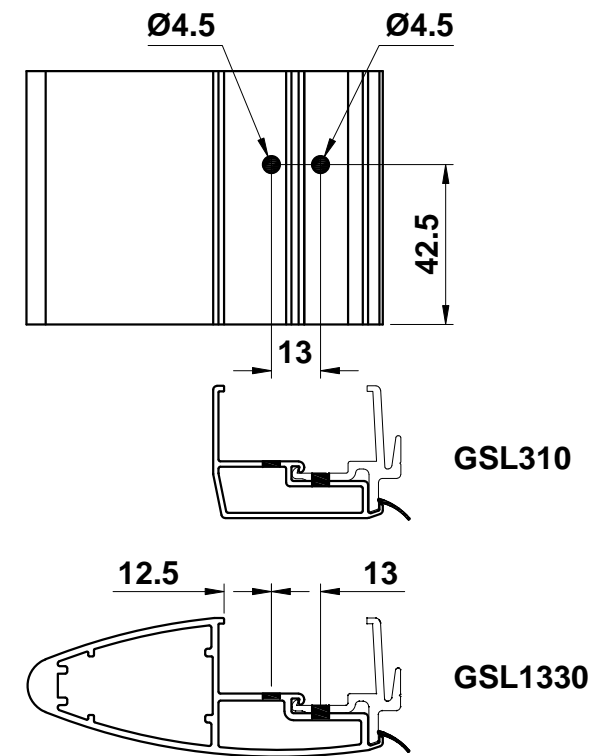
Interlock Screw Clearance Holes



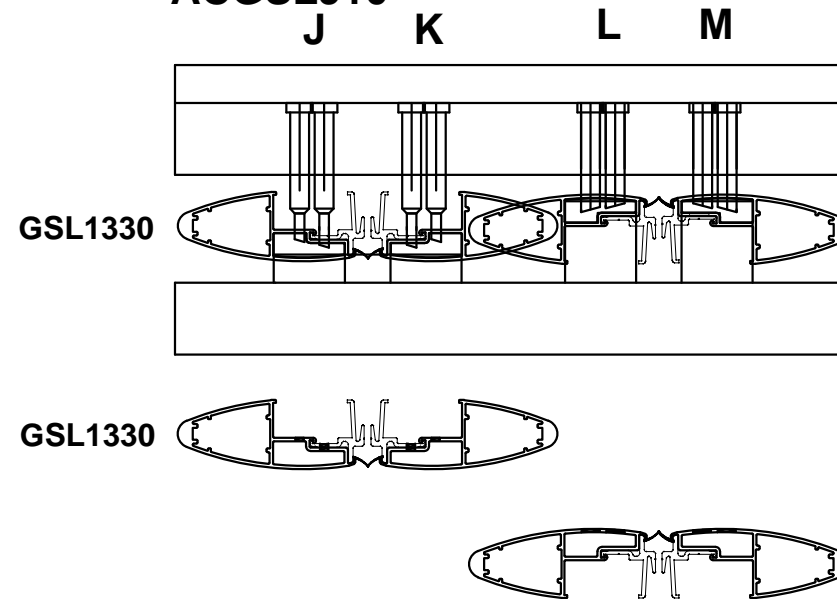
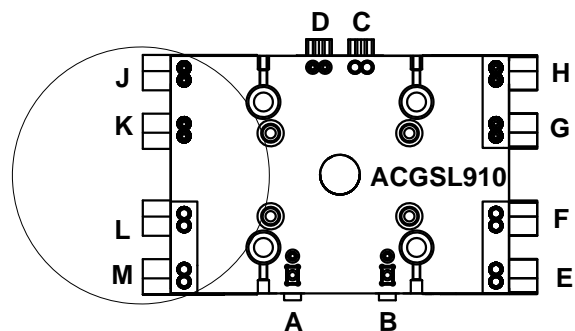
Punch Tool
ACGSL910



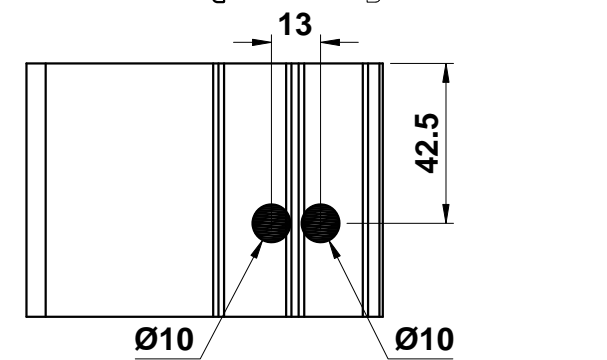
Prep Detail
G, H, J & K



Punch Tool
ACGSL910



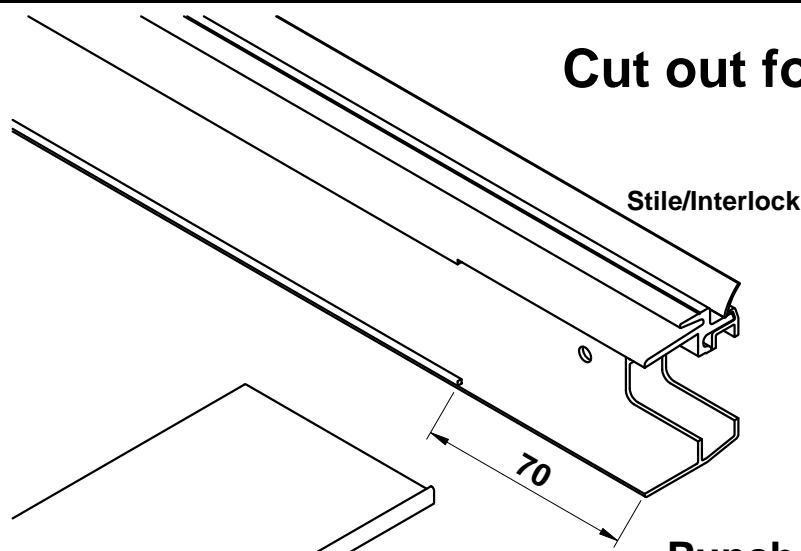
Prep Detail
E, F, L & M



Do Not Scale From This Drawing

Sash Punch Tooling

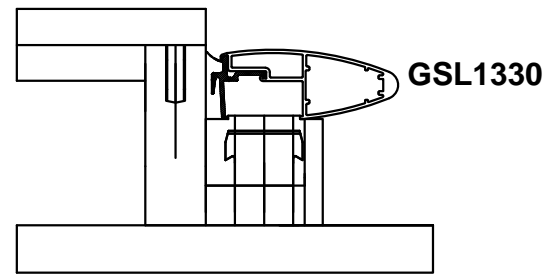
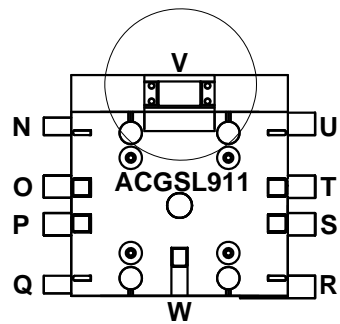
Cut out for top, middle & bottom rail connection



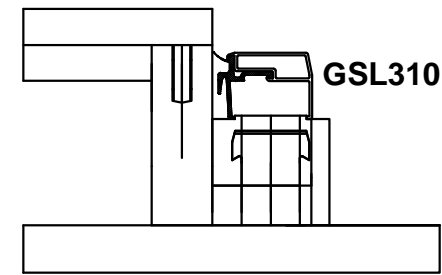
Punch Tool
ACGSL911

V

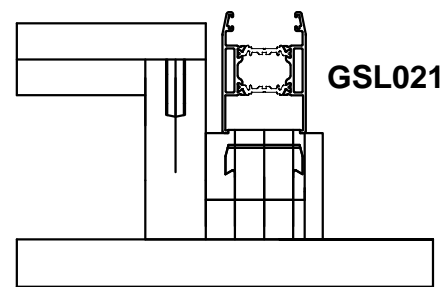
Horizontal Rail



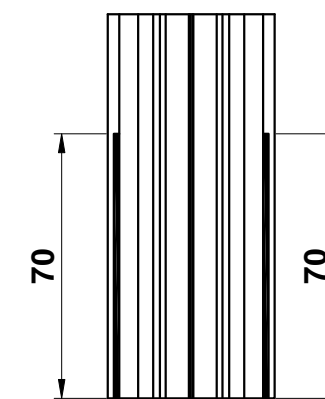
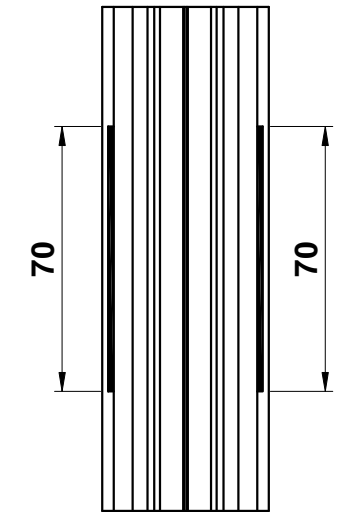
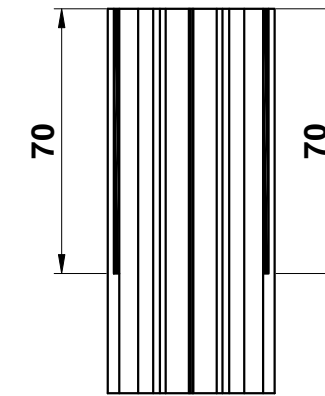
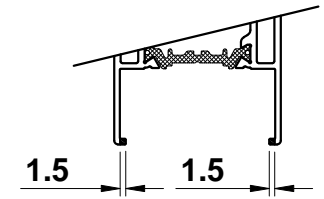
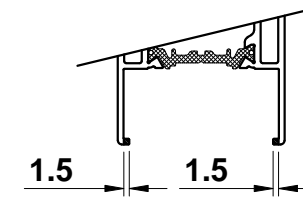
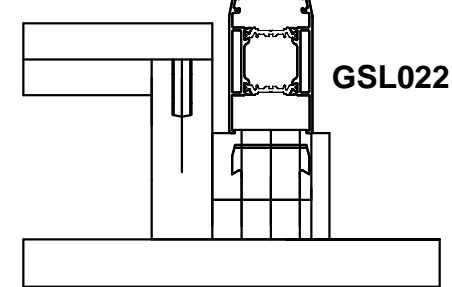
V



V

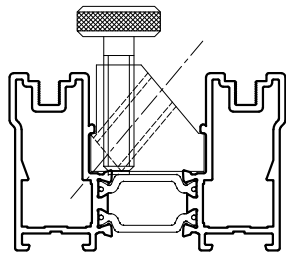


V



Do Not Scale From This Drawing

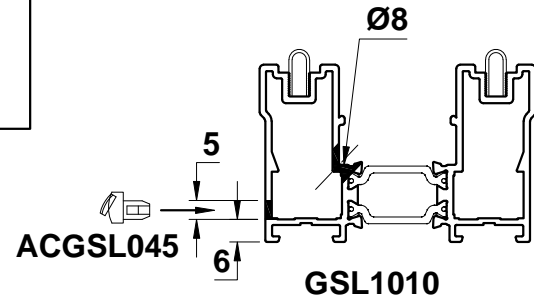
Drainage Detail



Use recommended drill jig ACGSL9003 for 8mm hole

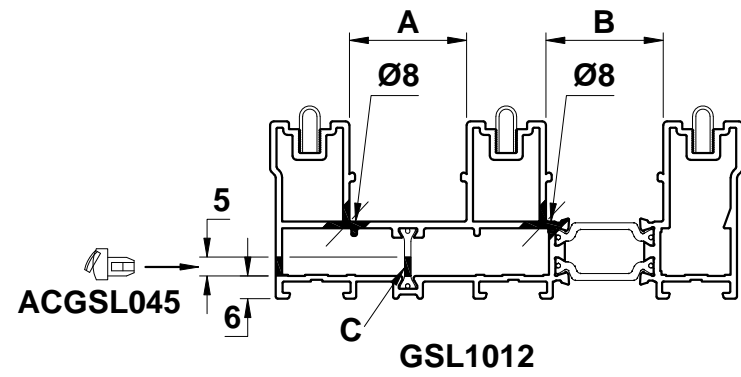


ACGSL045



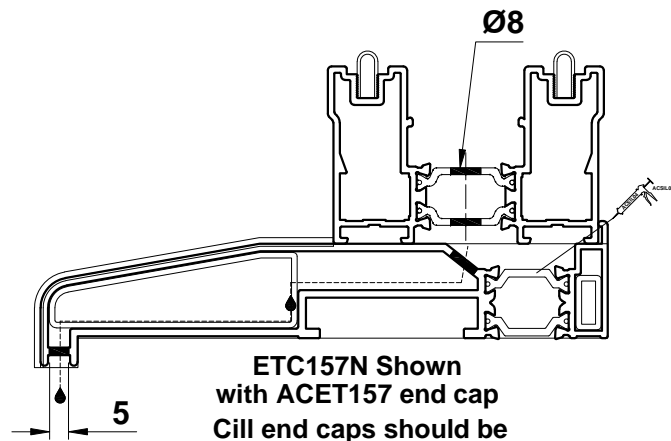
ACGSL045

GSL1010

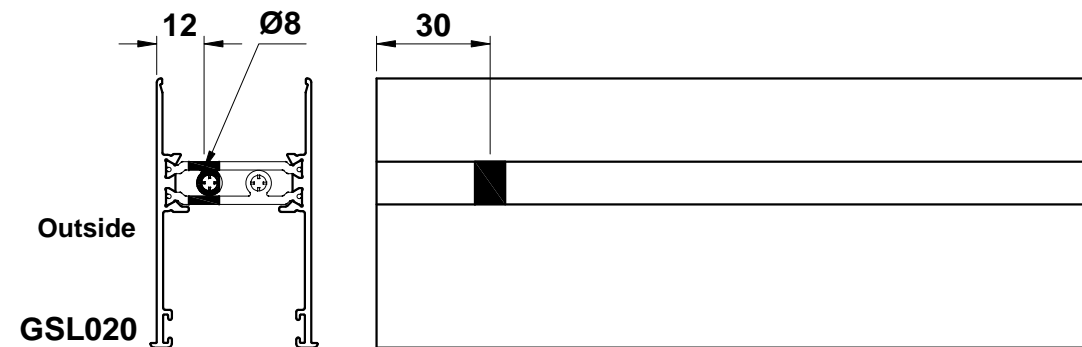
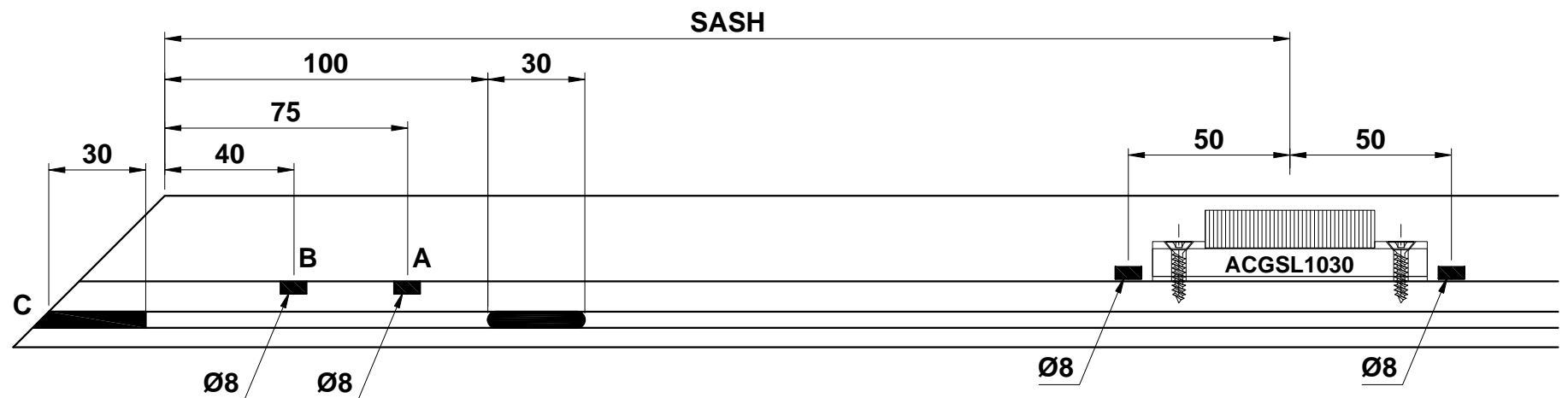
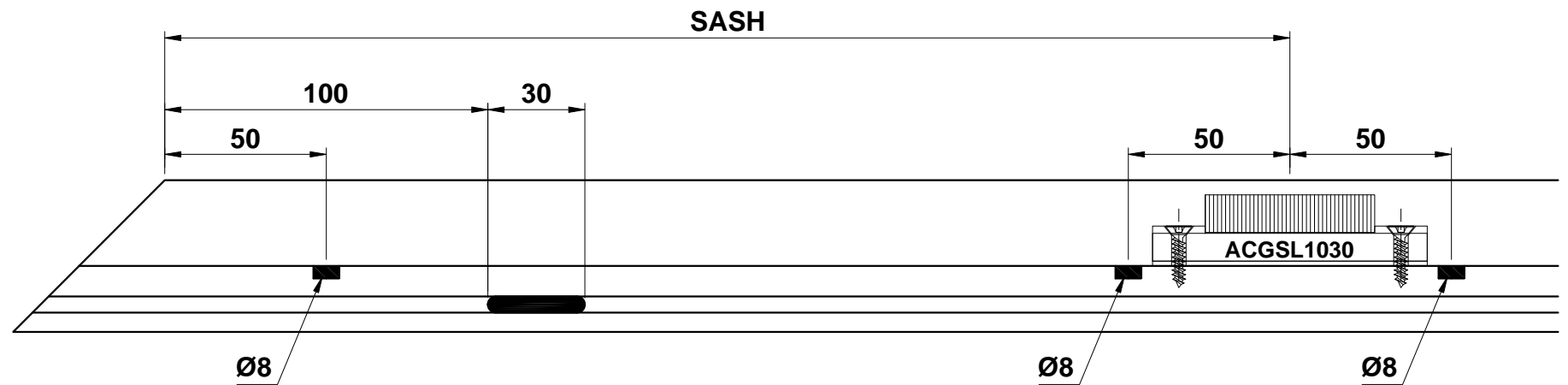


ACGSL045

GSL1012



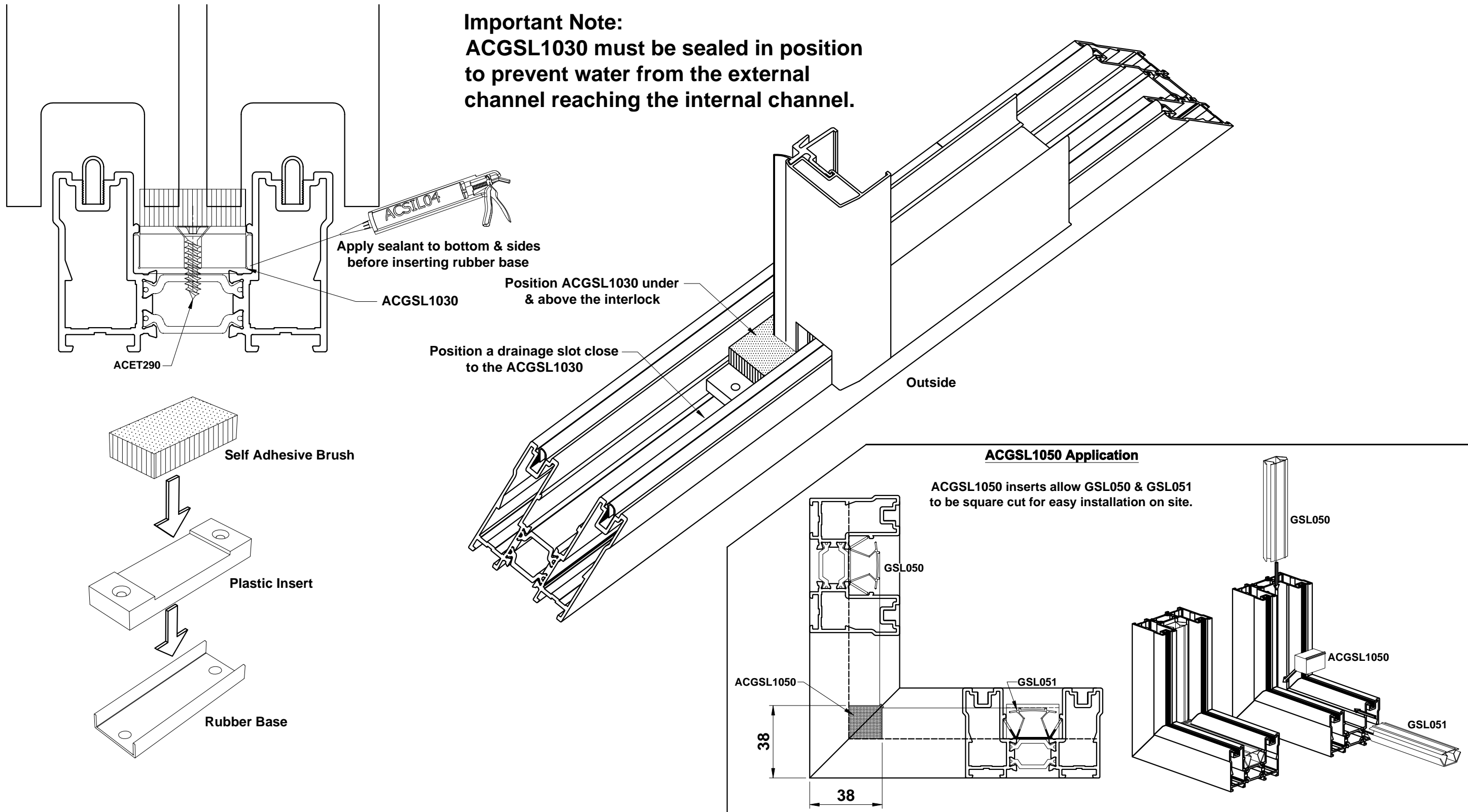
ETC157N Shown with ACET157 end cap
Cill end caps should be sealed to cill to prevent water egress over edge



Do Not Scale From This Drawing

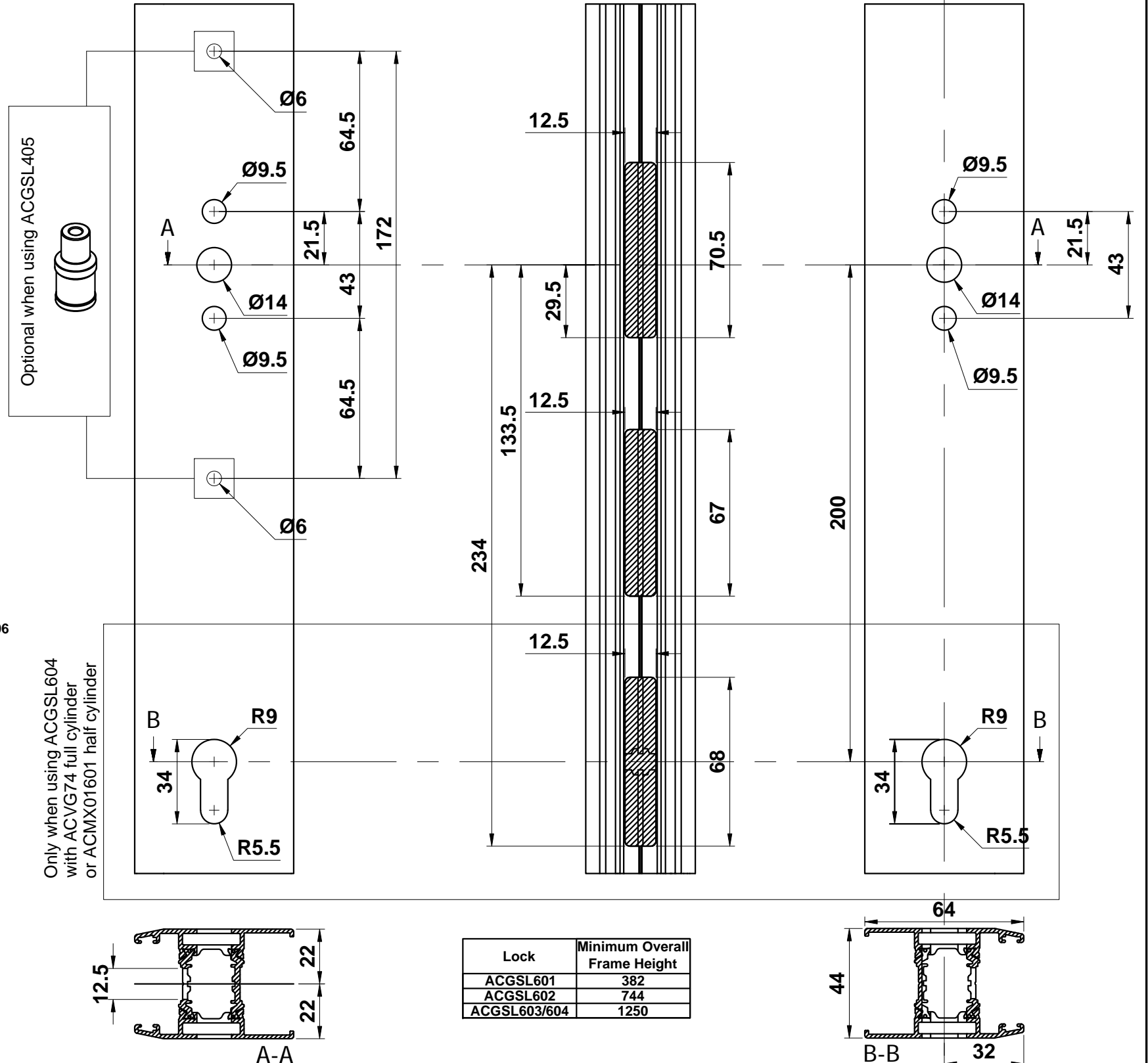
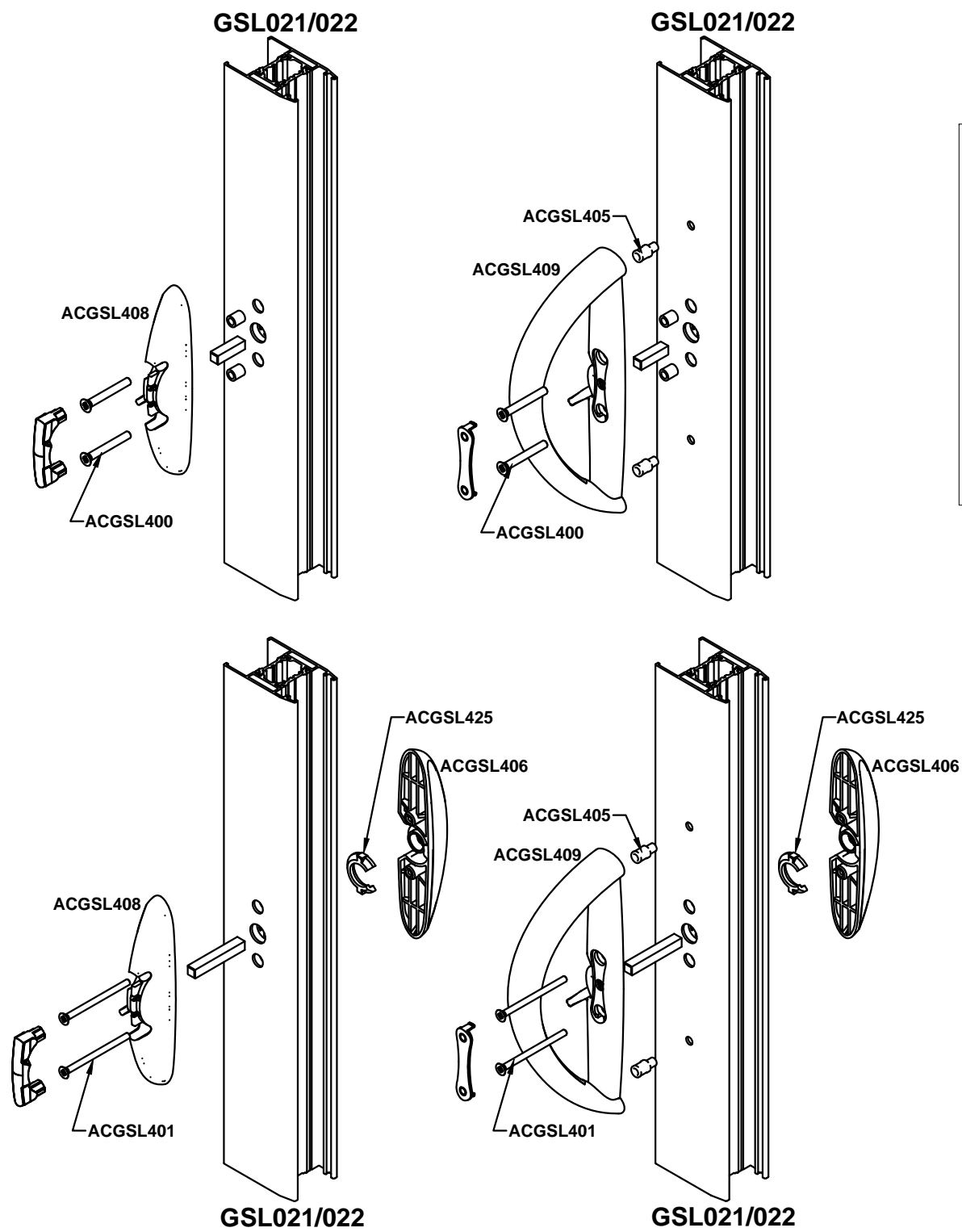
ACGSL030 & GSL1050

Important Note:
ACGSL1030 must be sealed in position
to prevent water from the external
channel reaching the internal channel.



Do Not Scale From This Drawing

Lock & Handle Preparation

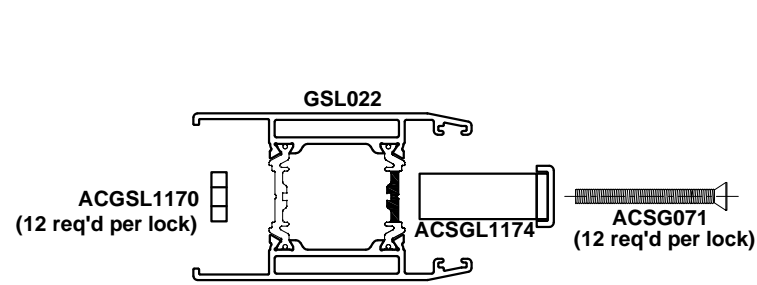


Only when using ACGSL604 with ACVG74 full cylinder or ACMX01601 half cylinder

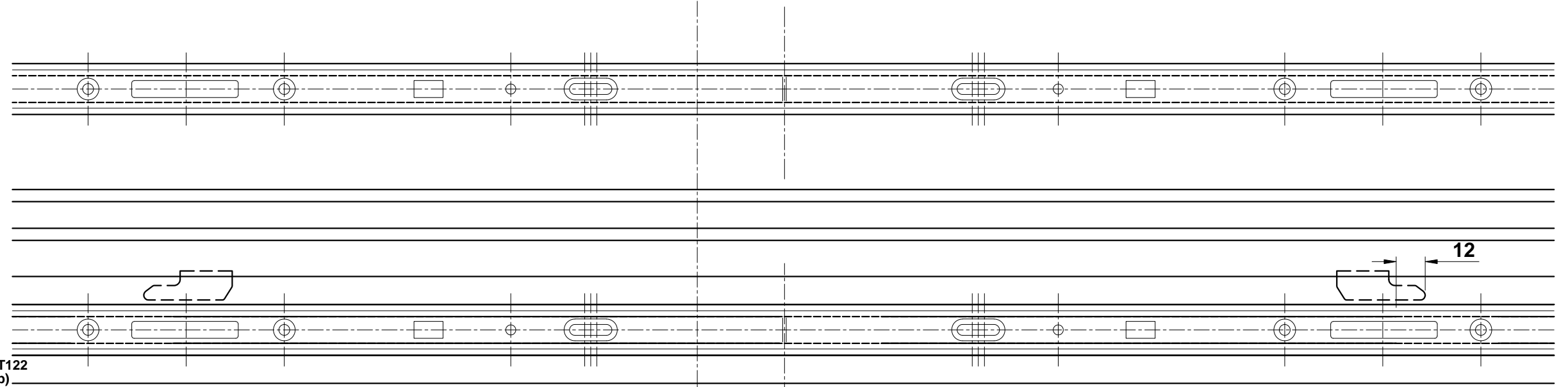
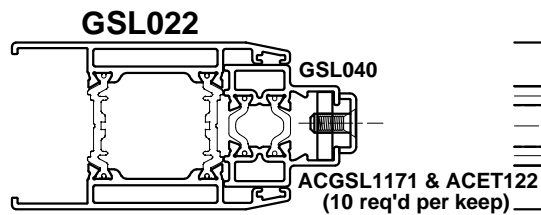
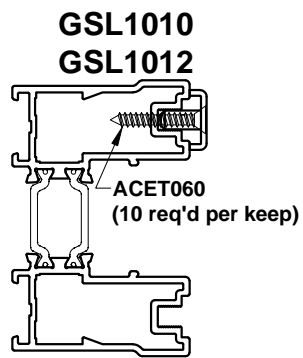
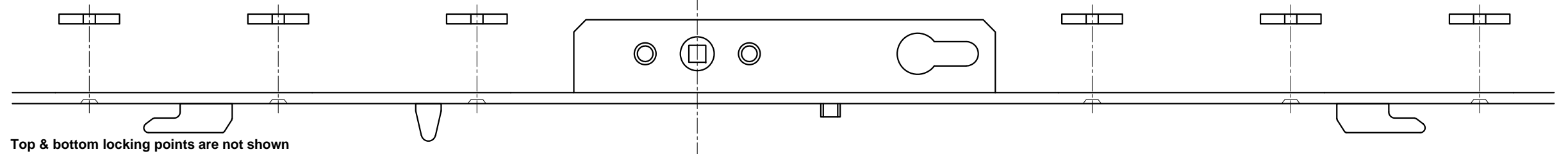
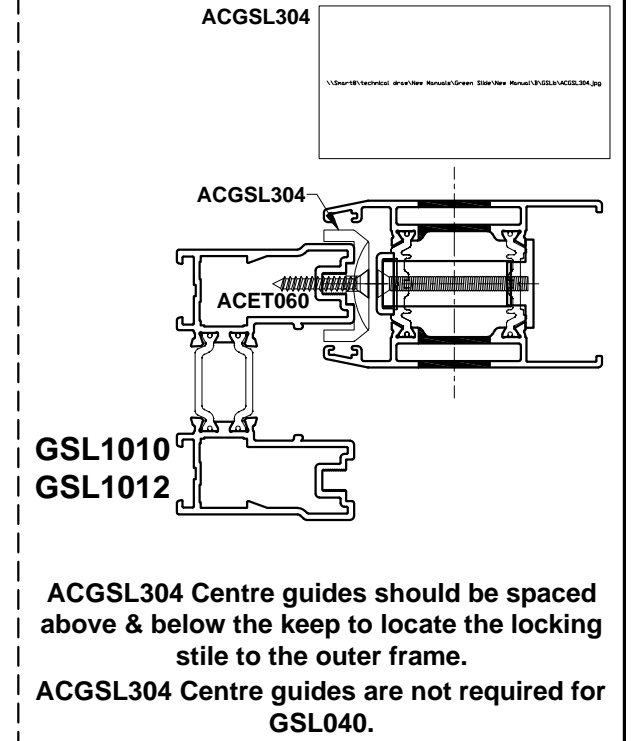
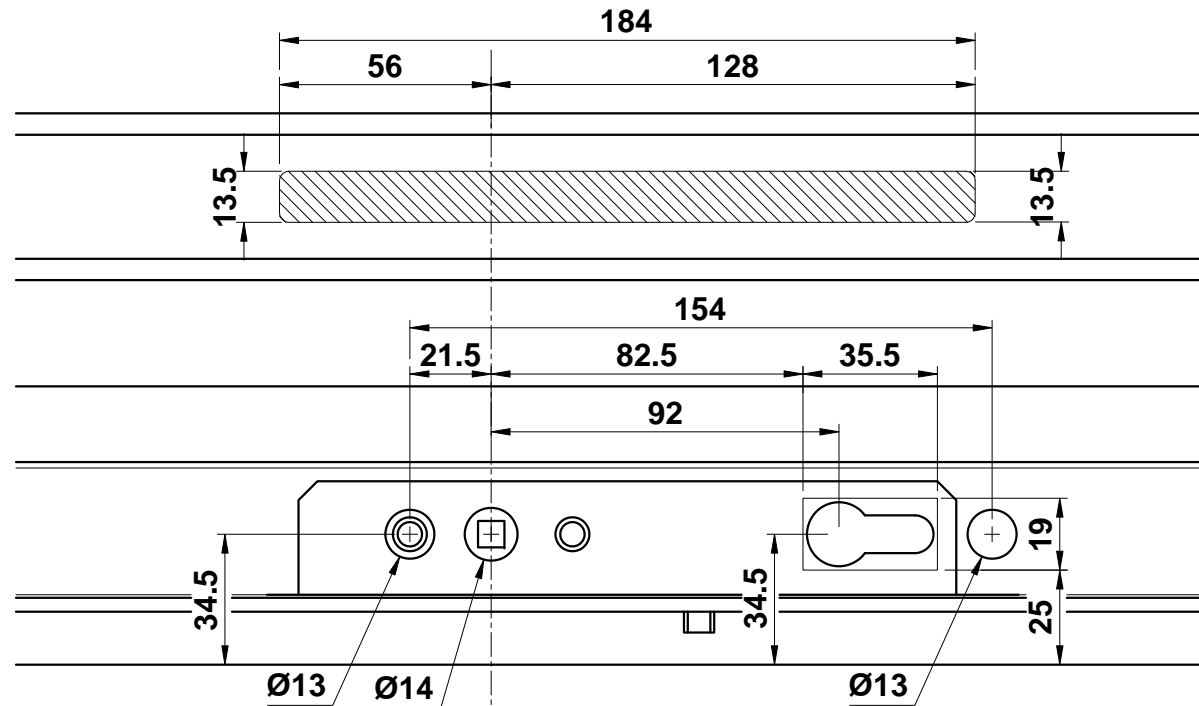
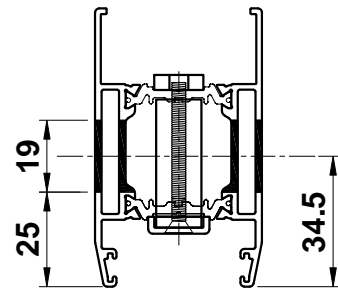
Lock	Minimum Overall Frame Height
ACGSL601	382
ACGSL602	744
ACGSL603/604	1250

Do Not Scale From This Drawing

ACSGL174 Lock Preparation

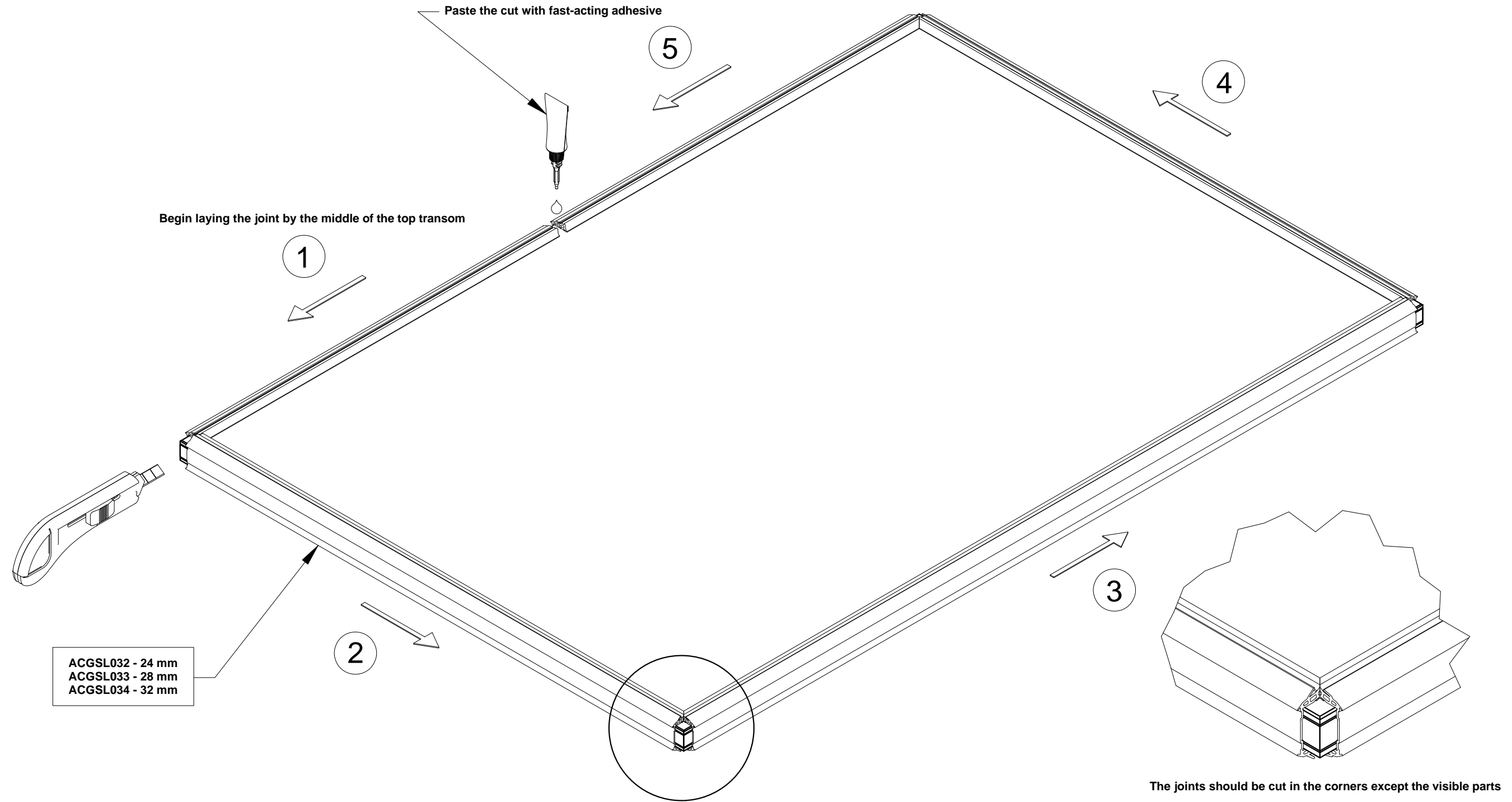


- NOTE:**
1. ACSGL1174 can be used with handles ACSL180-186 with ACMX01615 cylinder
 2. ACSGL1174 can be cut down to 600mm keeping 2 locking points.



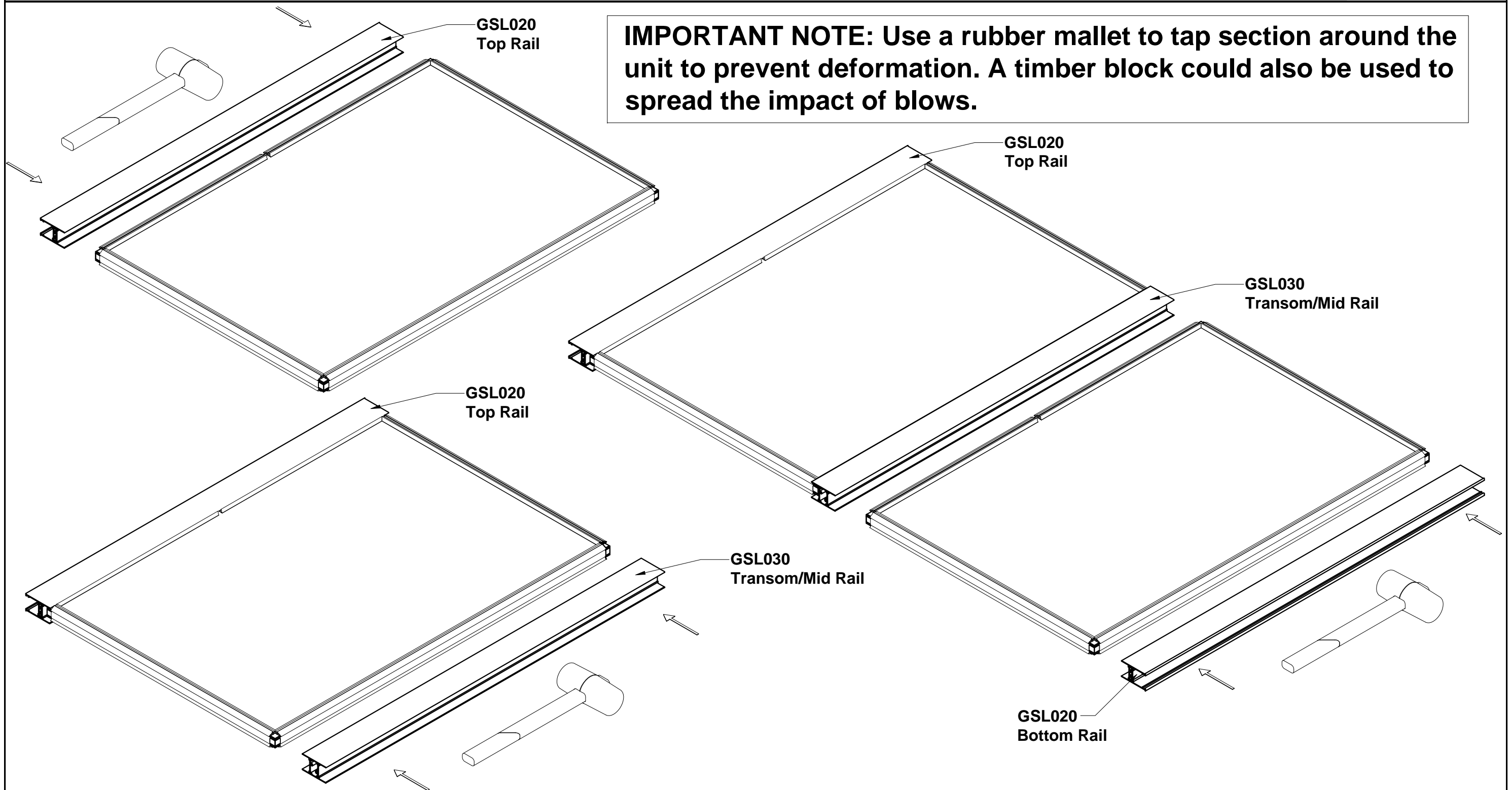
Do Not Scale From This Drawing

Gasket Preparation



Do Not Scale From This Drawing

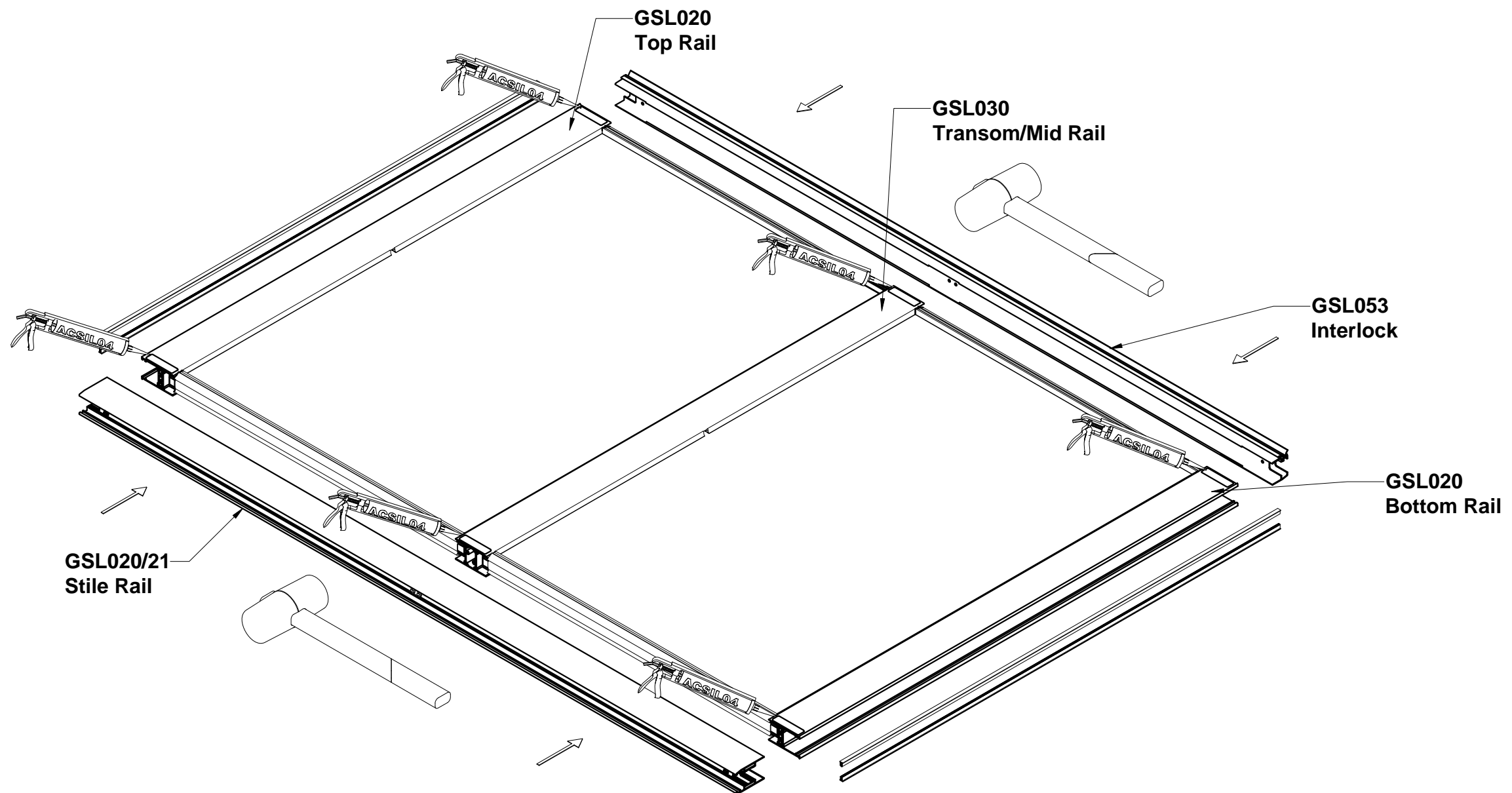
Sash Assembly



Do Not Scale From This Drawing

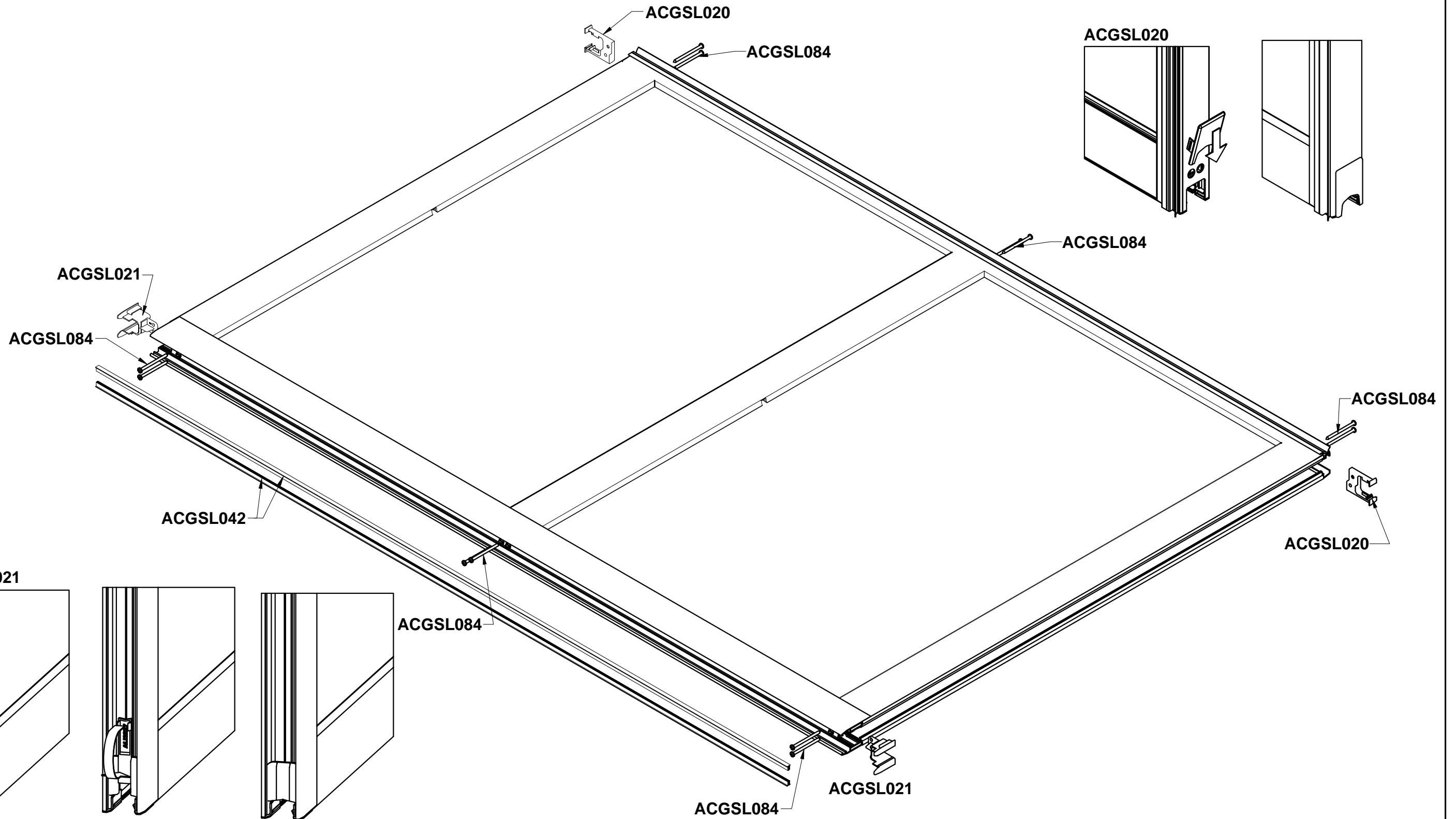
Sash Assembly

IMPORTANT NOTE: Use a rubber mallet to tap section around the unit to prevent deformation. A timber block could also be used to spread the impact of blows.



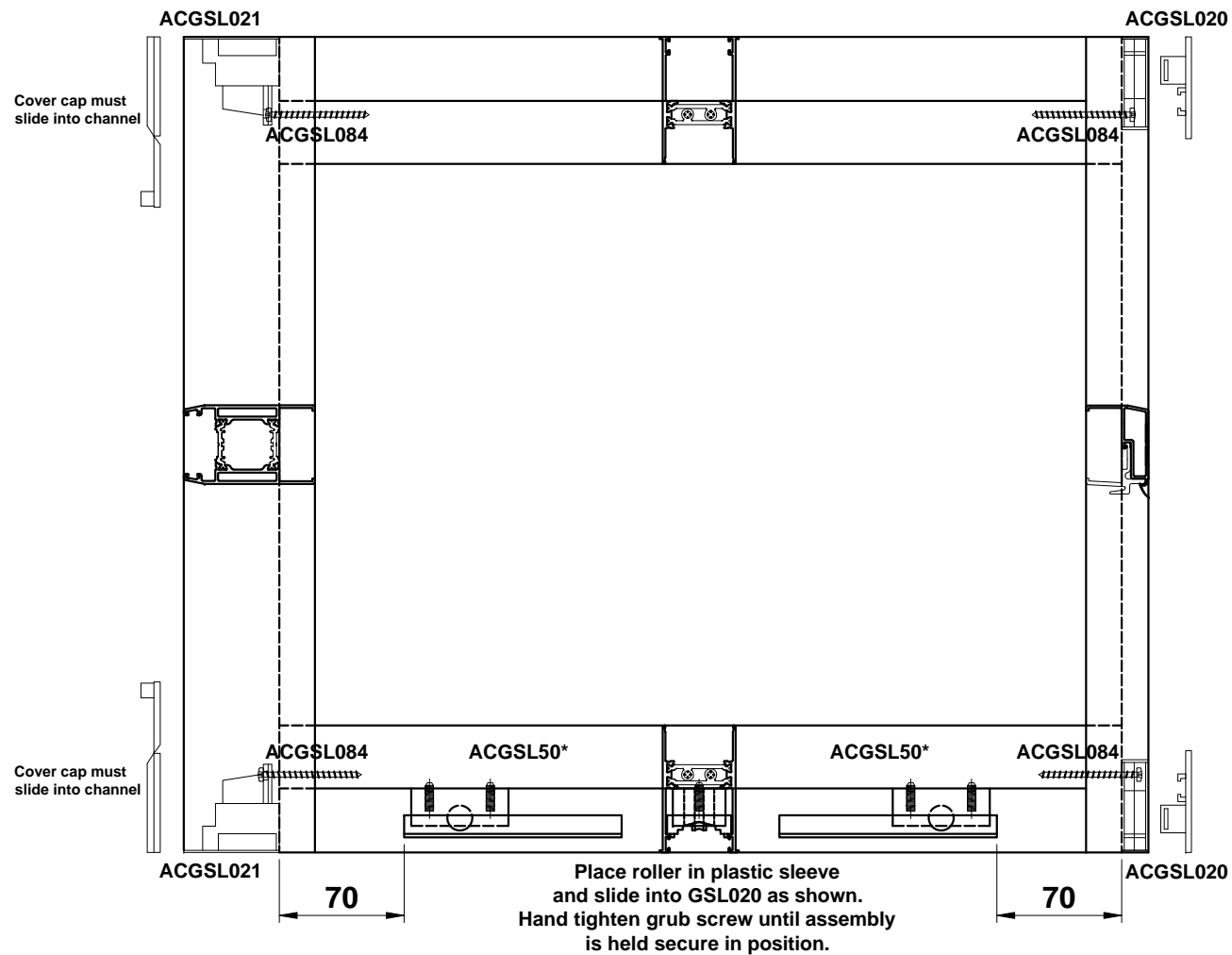
Do Not Scale From This Drawing

Sash Assembly



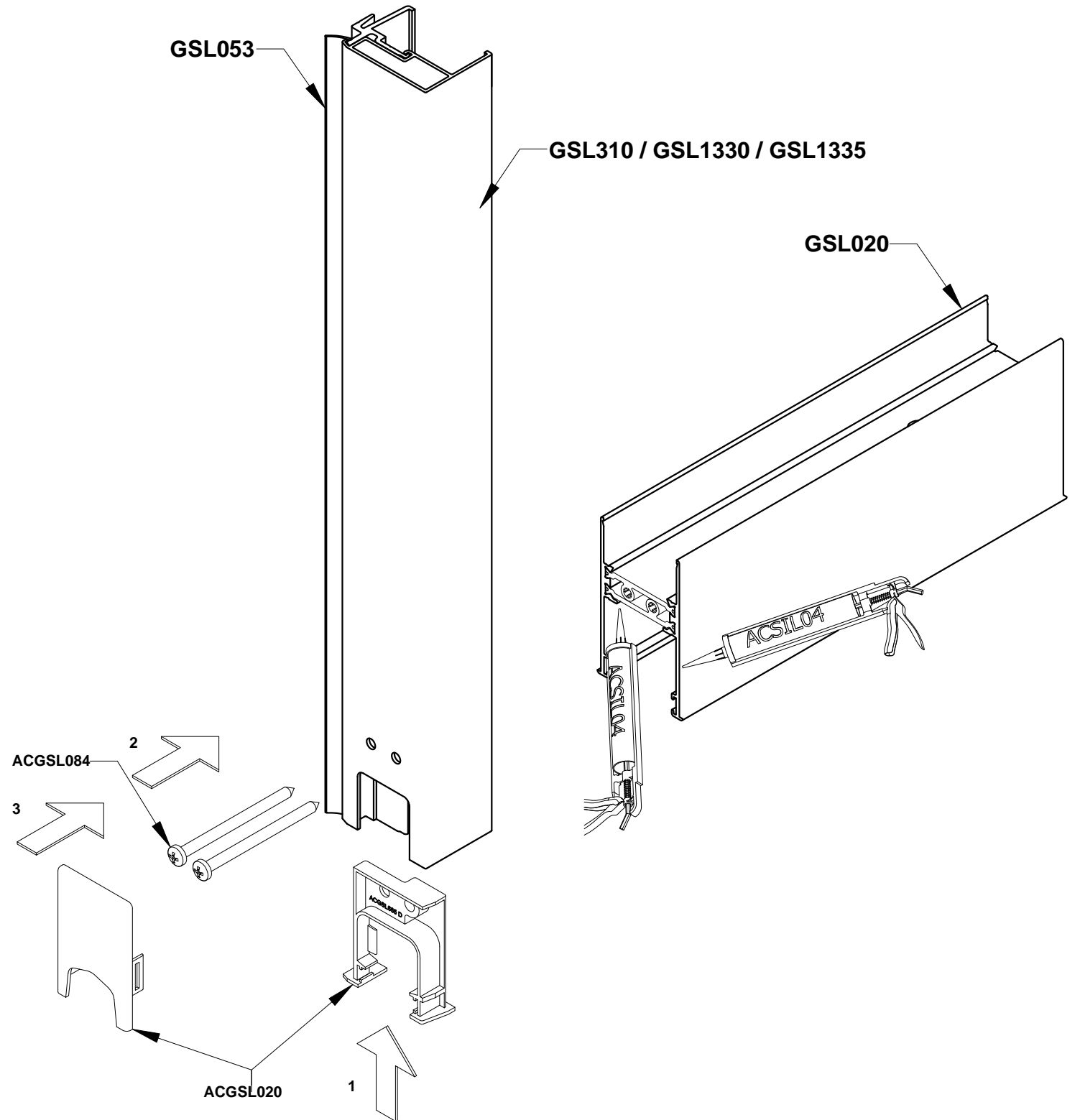
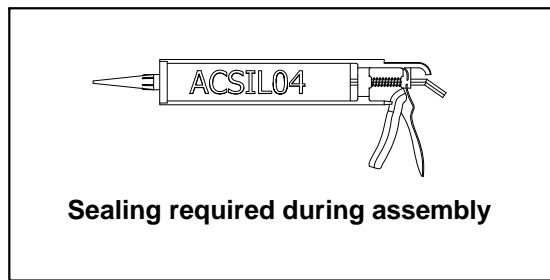
Do Not Scale From This Drawing

Sash Assembly



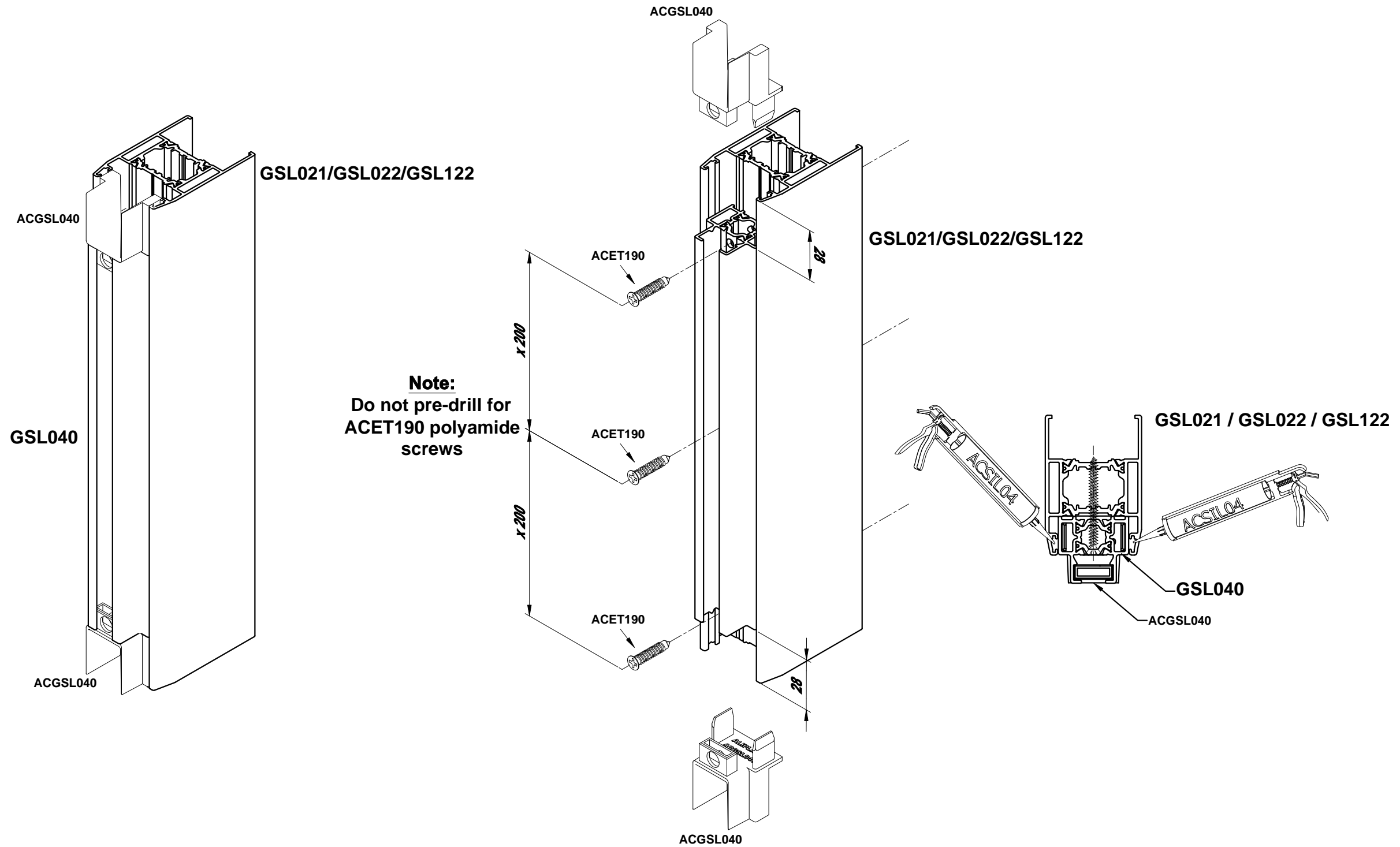
Cover cap must slide into channel

Cover cap must slide into channel

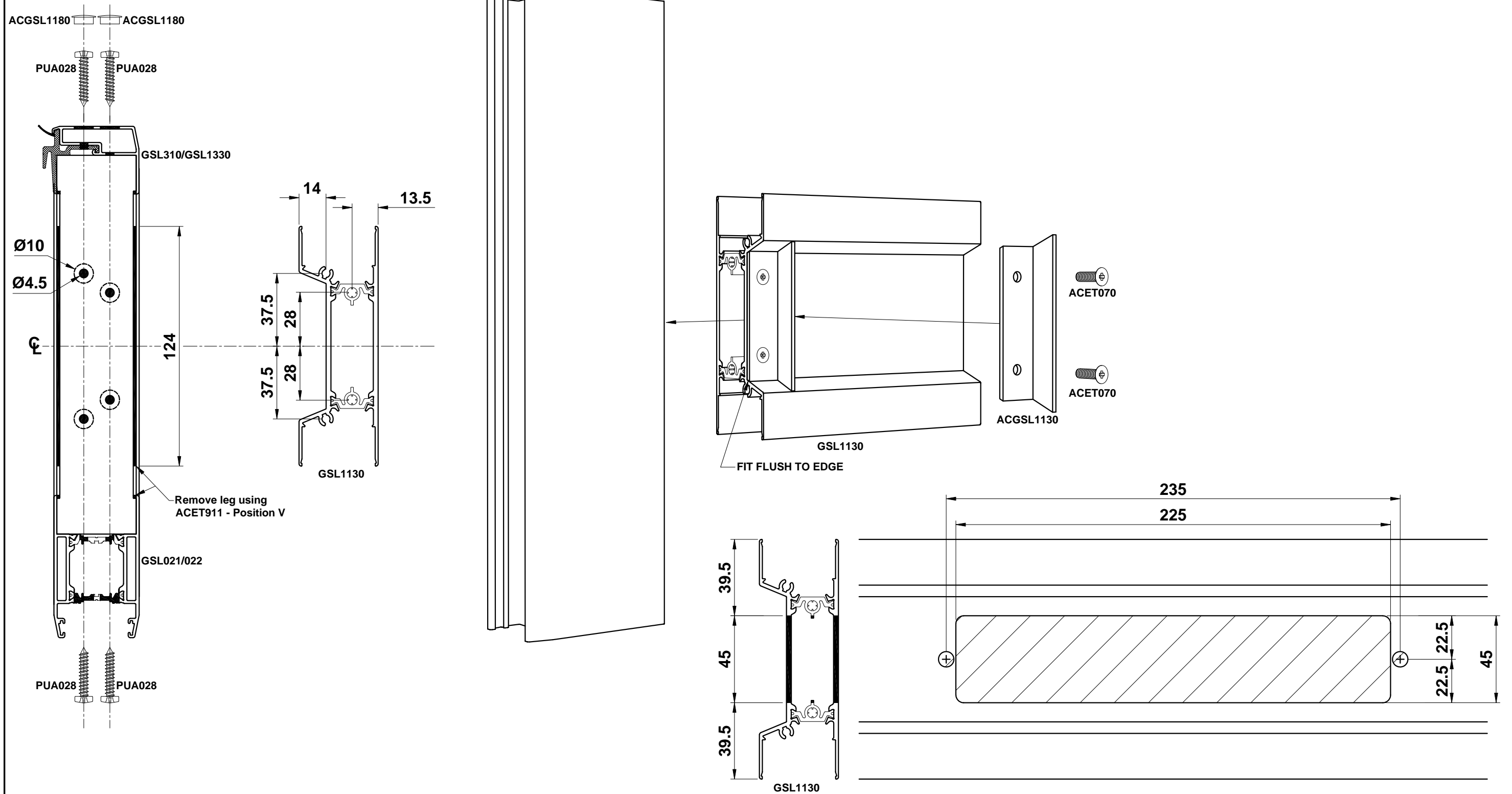


Do Not Scale From This Drawing

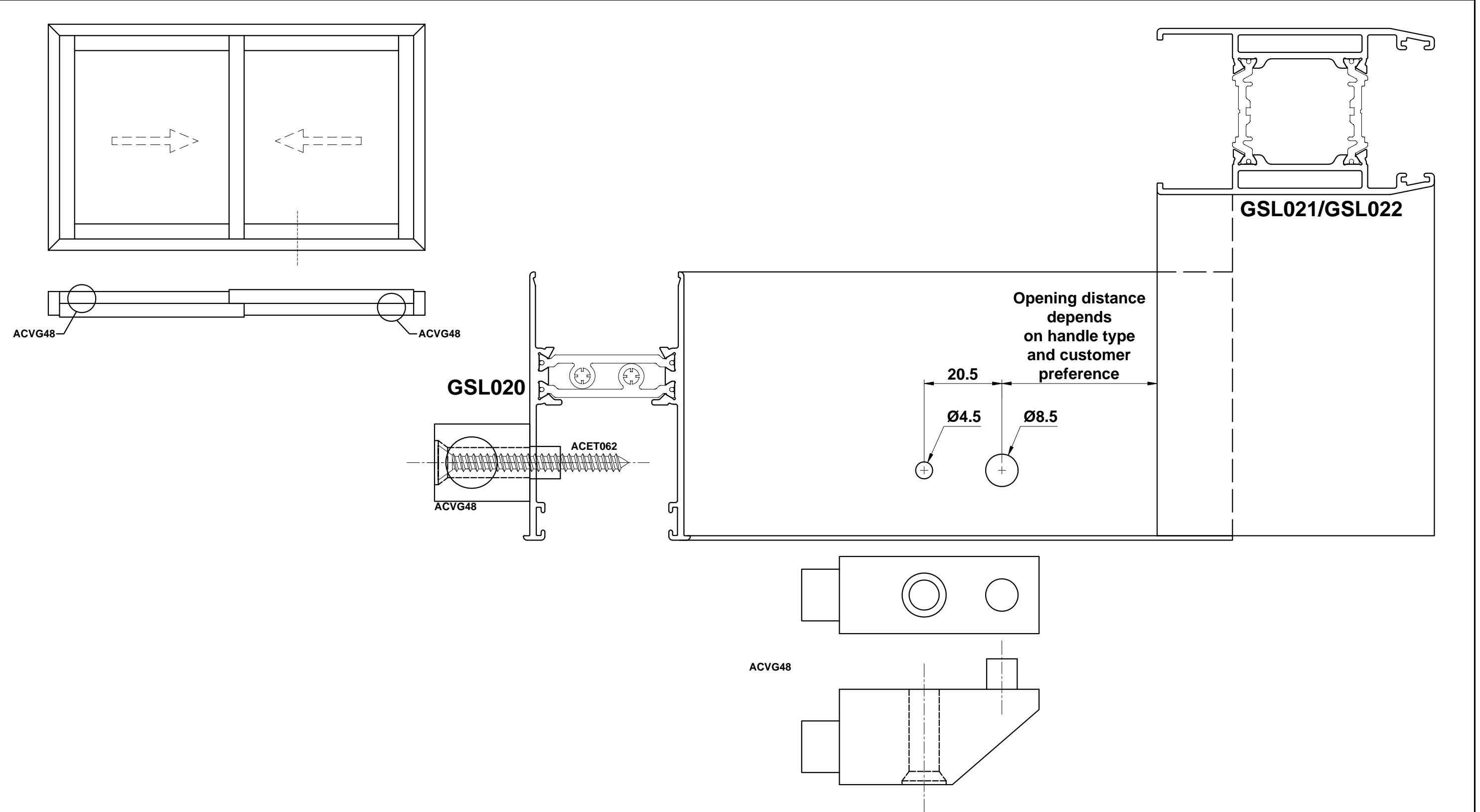
Meeting Stile Preparation



Mid-Rail/Letterplate Preparation

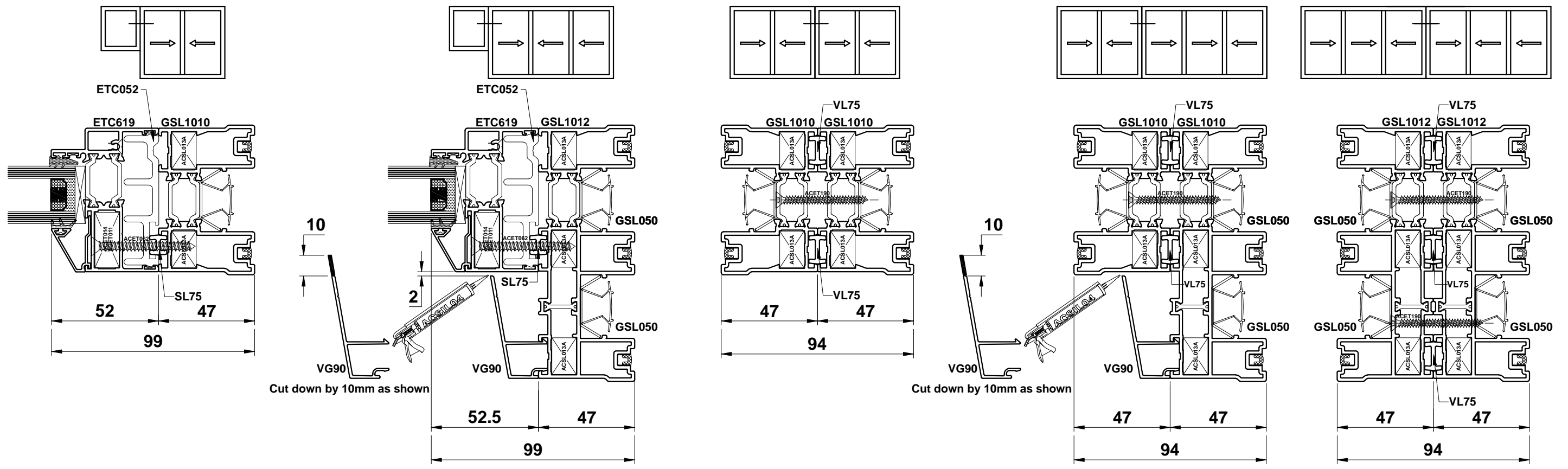


ACVG48 Location



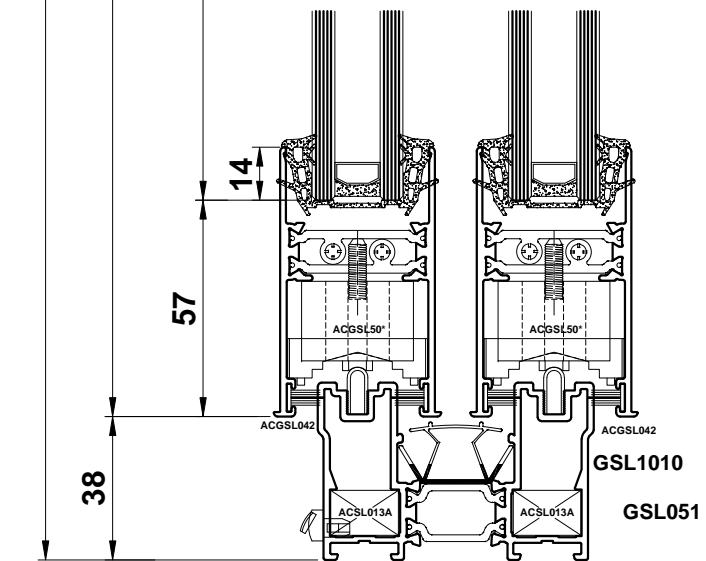
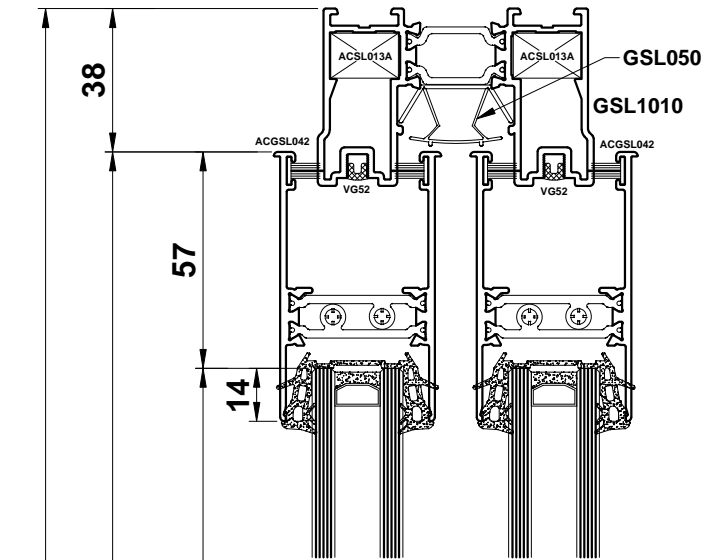
Typical Coupling Details

IMPORTANT NOTE: Always ensure the ixx/iyy values are suitable for the specific site application. If in doubt, please contact our Technical Department.



Section F

Cutting Information



PROFILES

GSL1010		2		H
GSL1010		2		W
(1) GSL020		4		W/2-80.5
(2) GSL020		4		W/2-90
(1) GSL021		2		H-78
(2) GSL022		2		H-78
GSL310/1330/1335		2		H-78
GSL050		1		W-76
GSL050		2		H-76
GSL051		1		W-76
GSL053		2		H-78
VG52		2		W-90
VG52		4		H-90
VG53		2		W-90

GLASS SIZE	2X	(1) W/2-92.5	(2) W/2-102
		H-190	H-190

ACCESSORIES

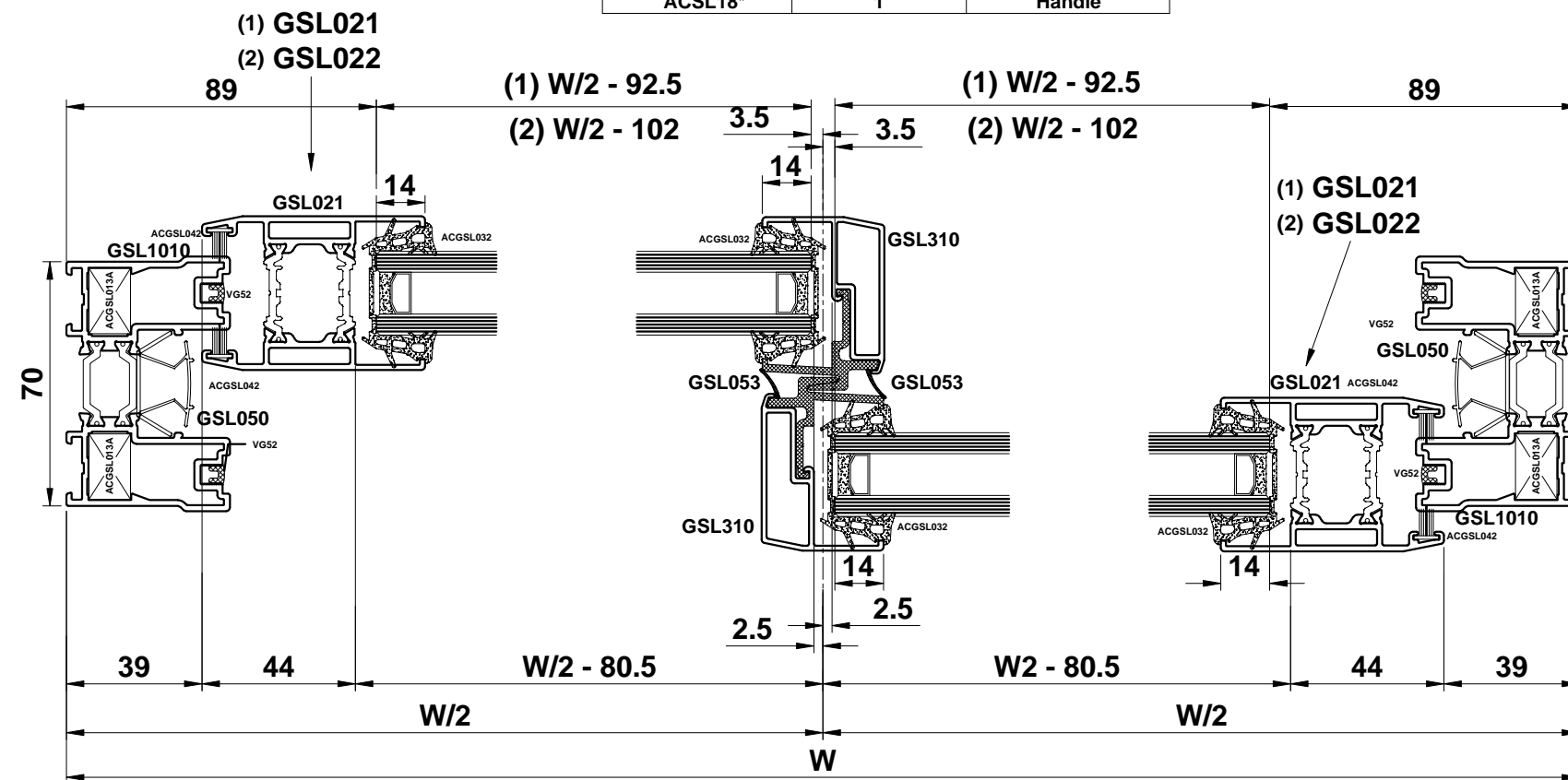
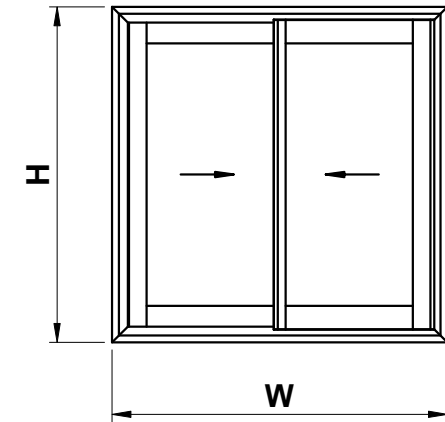
ACSL013A	8	Corner Cleat
ACGSL020	2	Interlock Plugs
(1) ACGSL021	2	Stile End Caps
(2) ACGSL022	2	Stile End Caps
ACGSL03*(G)	4	H-182 Glazing Gasket
(1) ACGSL03*(G)	4	W/2-84.5 Glazing Gasket
(2) ACGSL03*(G)	4	W/2-94 Glazing Gasket
(1) ACGSL042	8	W/2-80.5 Woolpile
(2) ACGSL042	8	W/2-90 Woolpile
ACGSL042	4	H-78 Woolpile
ACGSL045	2	Drainage Cap
ACGSL084	16	Screw For Rails
ACGSL304	4	Sash Locator
ACGSL50*	4	Rollers
ACGSL1030	1	Interlock Plugs
ACGSL1050	4	Corner Block To Join GSL050/051
ACGSL1330/1335	1 pair	End Cap For GSL1330/GSL1335

Locking for GSL021

NOTE: Locking is not included above. For GSL021, please add preferred lock type & handles from section B.

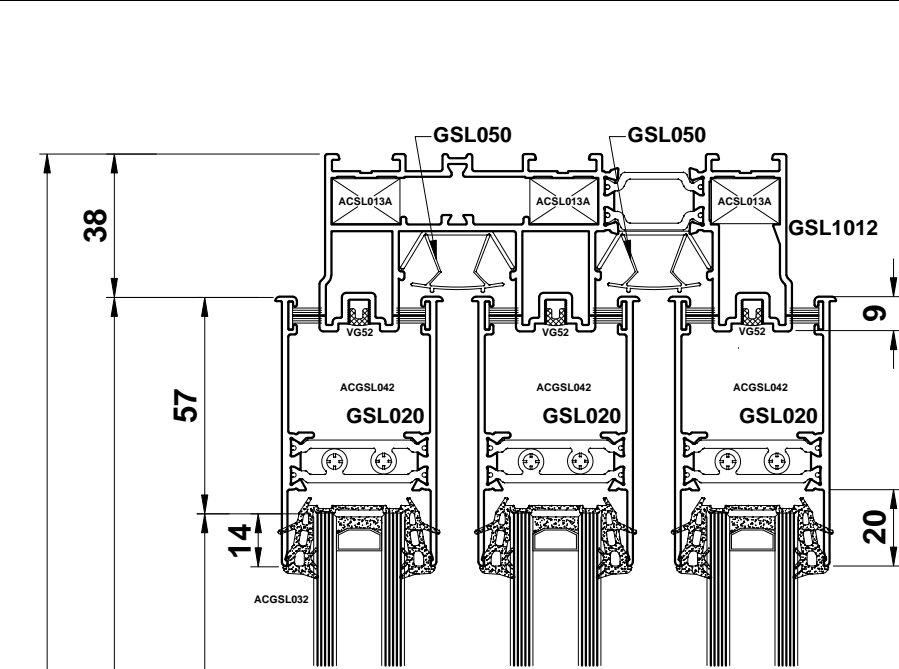
Locking for GSL022 per sash

ACGSL1170	12	Fixing Block
ACGSL1174	1	Multi-Point Lock
ACET060	12	Screw for Keep
ACMX01615 (SL)	1	35/35 Cylinder
ACSG071	12	M4 x 40 Lock Screw
ACSL18*	1	Handle



Do Not Scale From This Drawing

Cutting Information



PROFILES				
GSL1012		2		H
GSL1012		2		W
(1) GSL020		6		W/3-52
(2) GSL020		6		W/3-58
(1) GSL021		2		H-78
(2) GSL022		2		H-78
GSL310/1330/1335		4		H-78
GSL050		2		W-40.5
GSL050		4		H-40.5
GSL051		2		W-40.5
GSL053		4		H-78
VG52		3		W-90
VG52		6		H-90
VG53		3		W-90

GLASS SIZE		
3X	(1) W/3-64 H-190	(2) W/3-70 H-190

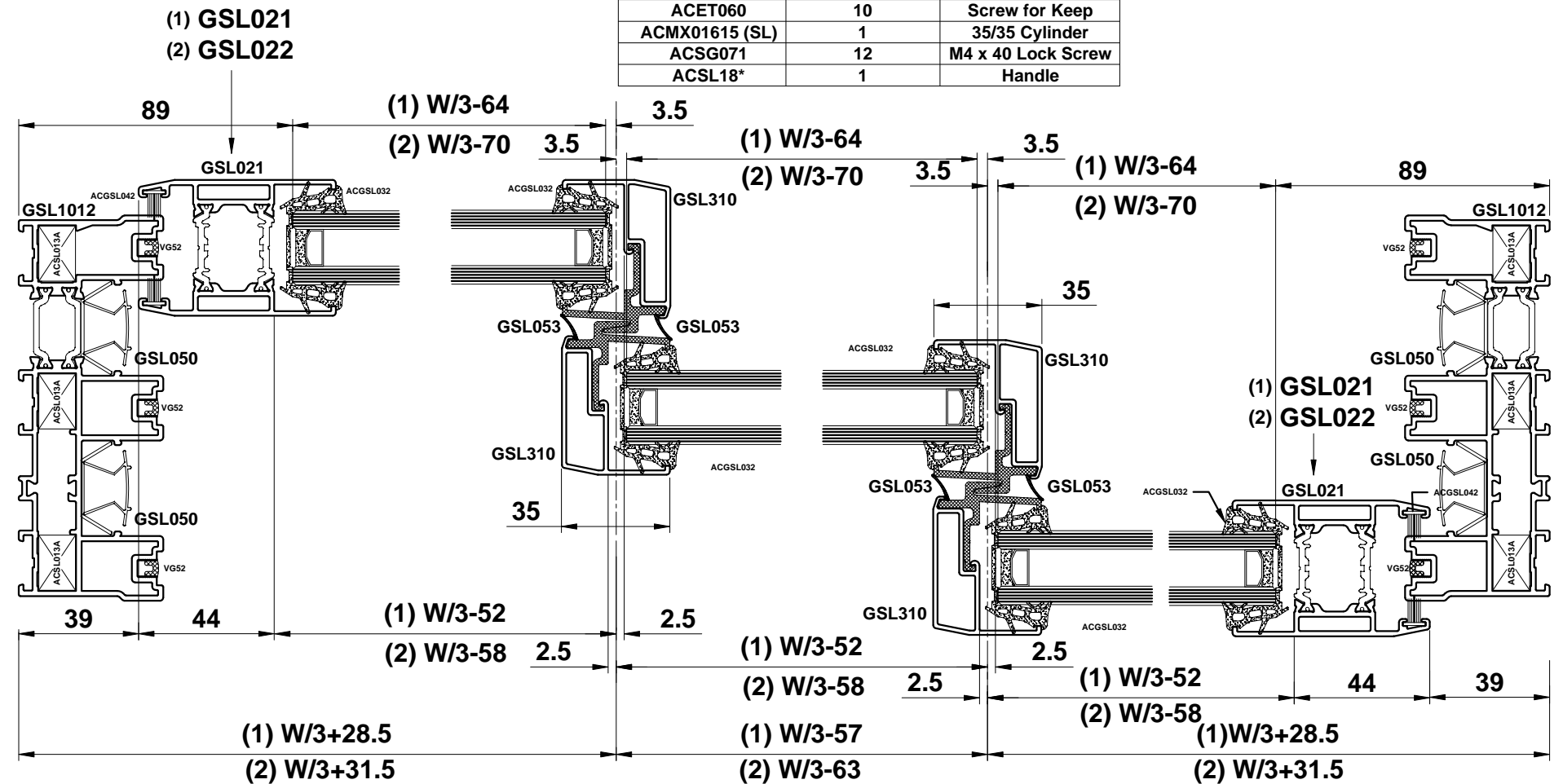
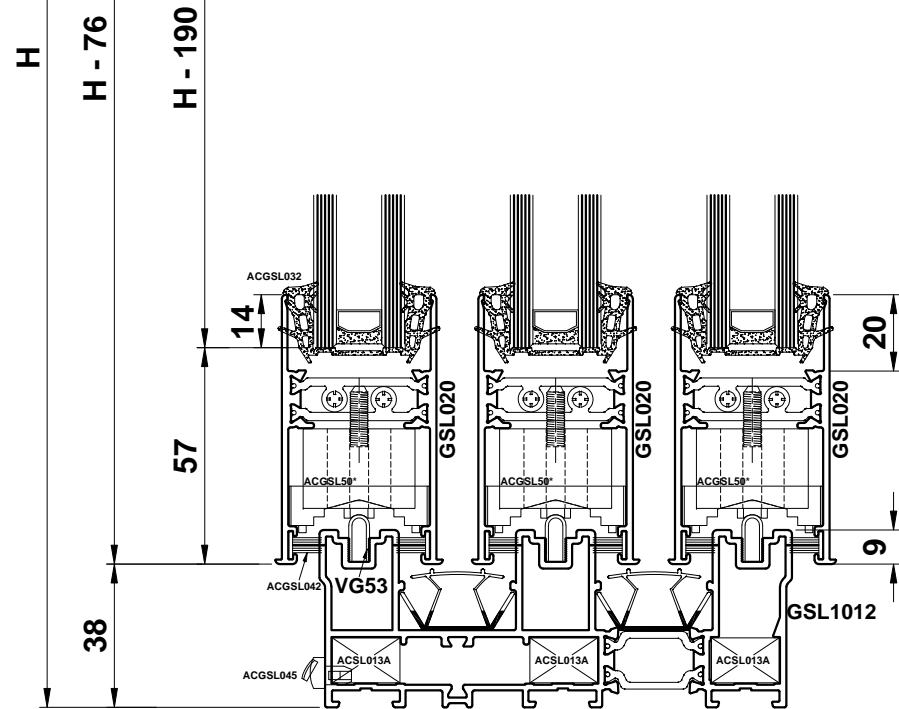
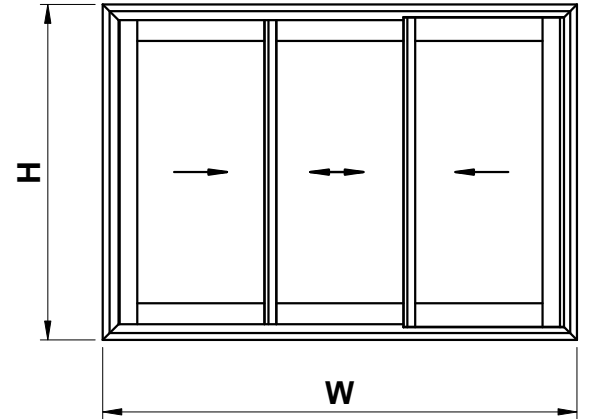
ACCESSORIES		
ACSL013A	12	Corner Cleat
ACGL020	4	Interlock Plugs
(1) ACGSL021	2	Stile End Caps
(2) ACGSL022	2	Stile End Caps
ACGL03*(G)	6	H-182.2 Glazing Gasket
(1) ACGSL03*(G)	6	W/3-56 Glazing Gasket
(2) ACGSL03*(G)	6	W/3-62 Glazing Gasket
(1) ACGSL042	12	W/3-52 Woolpile
(2) ACGSL042	12	W/3-58 Woolpile
ACGL042	4	H-78.2 Woolpile
ACGL045	2	Drainage Cap
ACGL084	24	Screw For Rails
ACGL304	4	Sash Locator
ACGL050*	6	Rollers
ACGL1030	2	Interlock Plugs
ACGL1050	4	Corner Block To Join GSL050/051
ACGL1330/1335	1 pair	End Cap For GSL1330/GSL1335

Locking for GSL021

NOTE: Locking is not included above. For GSL021, please add preferred lock type & handles from section B.

Locking for GSL022 per end sash

ACGL1170	12	Fixing Block
ACGL1174	1	Multi-Point Lock
ACET060	10	Screw for Keep
ACMX01615 (SL)	1	35/35 Cylinder
ACSG071	12	M4 x 40 Lock Screw
ACSL18*	1	Handle



Do Not Scale From This Drawing

Cutting Information

PROFILES

GSL1010		2		H
GSL1010		2		W
(1) GSL020		8		W/4-62.5
(2) GSL020		8		W/4-72.5
(1) GSL021		4		H-78
(2) GSL022		4		H-78
GSL310/1330/1335		4		H-78
GSL040		1		H-134
GSL050		1		W-40.5
GSL050		2		H-40.5
GSL051		1		W-40.5
GSL053		4		H-78
VG52		2		W-90
VG52		4		H-90
VG53		2		W-90

ACCESSORIES

ACSL013A		8	Corner Cleat
ACGSL020		4	Interlock Plugs
(1) ACGSL021		4	Stile End Caps
(2) ACGSL022		4	Stile End Caps
ACGSL03*(G)	8	H-182	Glazing Gasket
(1) ACGSL03*(G)	8	W/4-66	Glazing Gasket
(2) ACGSL03*(G)	8	W/4-71	Glazing Gasket
ACGSL040		2	GSL040 End Cap
(1) ACGSL042	16	W/4-62	Woolpile
(2) ACGSL042	16	W/4-67	Woolpile
ACGSL042	6	H-78	Woolpile
ACGSL045		2	Drainage Cap
ACGSL061	1	H-94	GSL040 Gasket
ACGSL084		32	Screw For Rails
ACGSL304		4	Sash Locator
ACGSL50*		8	Rollers
ACGSL1030		2	Interlock Plugs
ACGSL1050		4	Corner Block To Join GSL050/051
ACGSL1330/1335		4 pairs	End Cap For GSL1330/GSL1335
ACET190	at 200mm centres		GSL040 Fixing Plate
(1) ACDV264	at 250mm centres		GSL040 Screw
(2) ACDV265	at 250mm centres		GSL040 Screw

Locking for GSL021

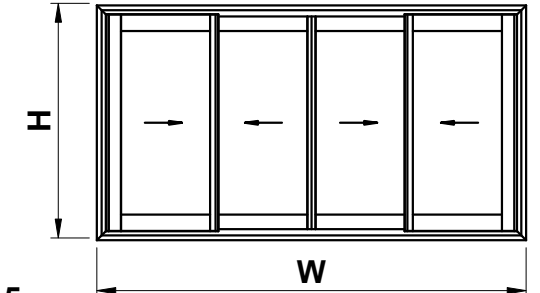
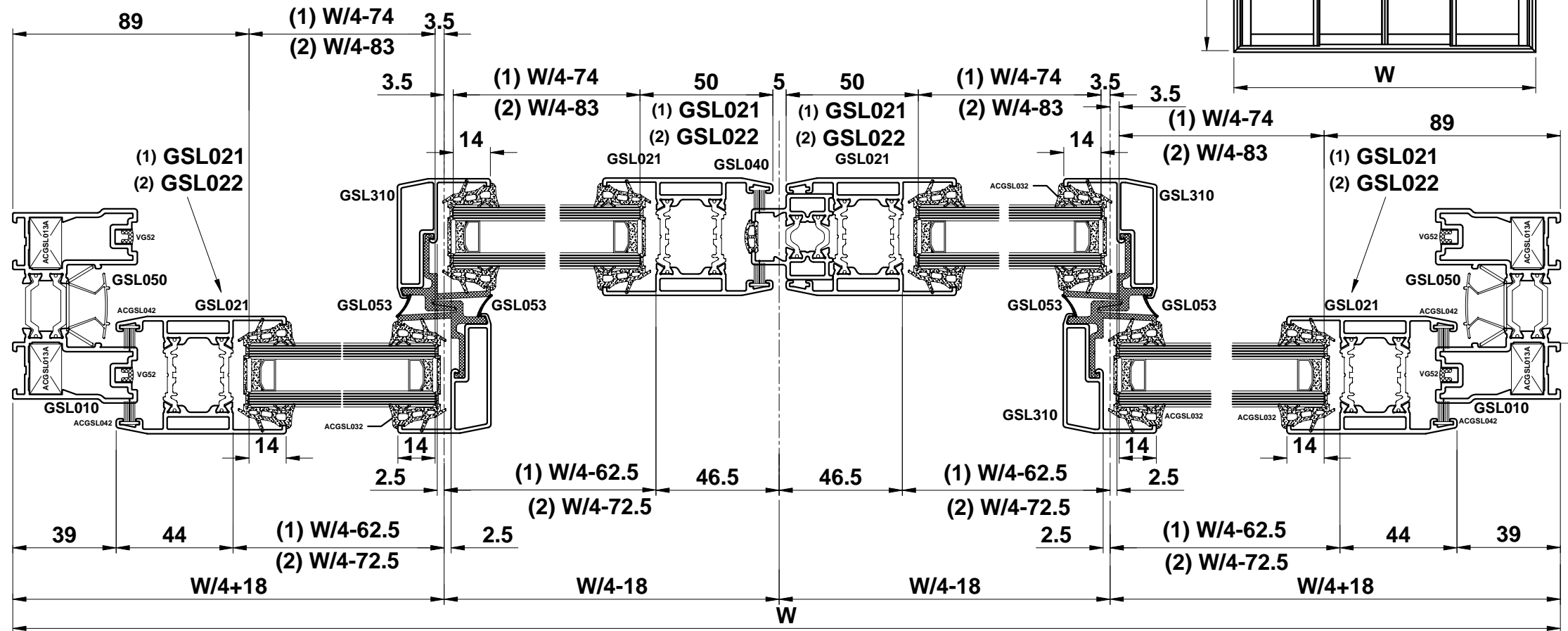
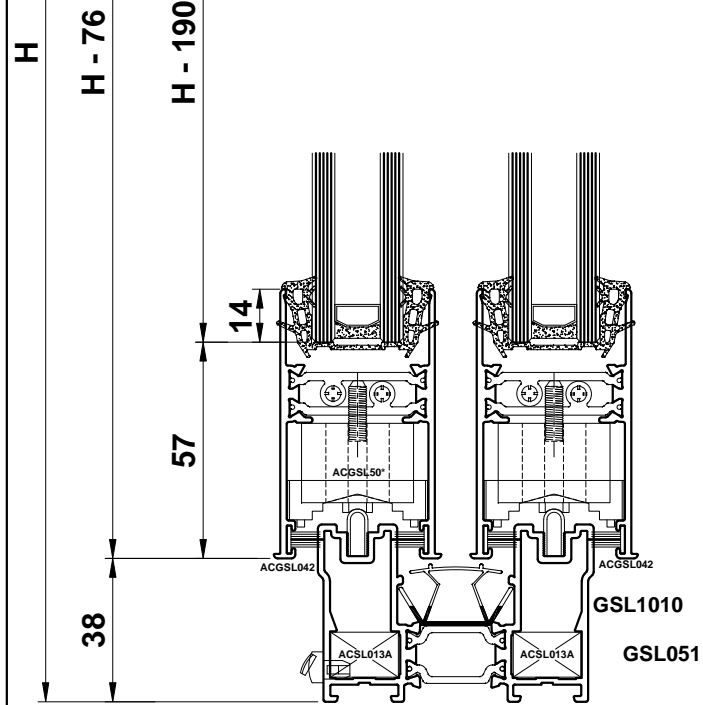
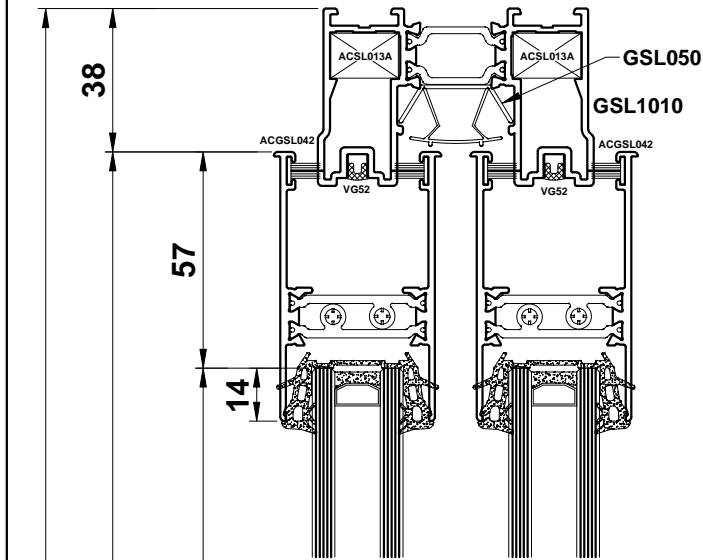
NOTE: Locking is not included above. For GSL021, please add preferred lock type & handles from section B.

Locking for GSL022 per end sash

ACGSL1170	12	Fixing Block
ACGSL1174	1	Multi-Point Lock
ACET060	10	Screw for Keep
ACMX01615 (SL)	1	35/35 Cylinder
ACSG071	12	M4 x 40 Lock Screw
ACSL18*	1	Handle

Locking for GSL022 centre sashes

ACGSL1170	12	Lock Fixing Block
ACGSL1171	10	Keep Fixing Block
ACGSL1174	1	Multi-Point Lock
ACET122	10	Screw for Keep
ACMX01615 (SL)	1	35/35 Cylinder
ACSG071	12	M4 x 40 Lock Screw
ACSL18*	1	Handle
ACSL18*	1	Dummy Handle

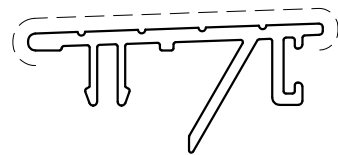


Do Not Scale From This Drawing

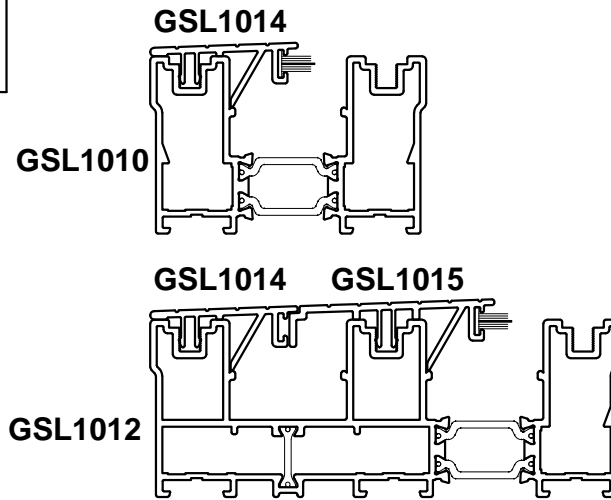
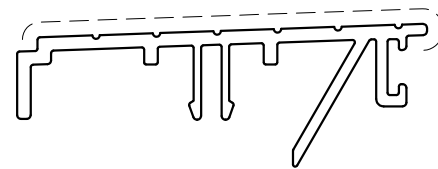
Bulletin

Number	Perim. mm	Mec. mm	Ix(cm4) wx(cm3)	Iy(cm4) wy(cm3)	Length	Pack pr.	MF	SA	KL	HP	M
New GSL1014	176	45	- ----- -	- ----- -	6.5	1	✓	✓	✓	✓	
New GSL1015	244	57	- ----- -	- ----- -	6.5	1	✓	✓	✓	✓	

GSL1014
Two Track Cover



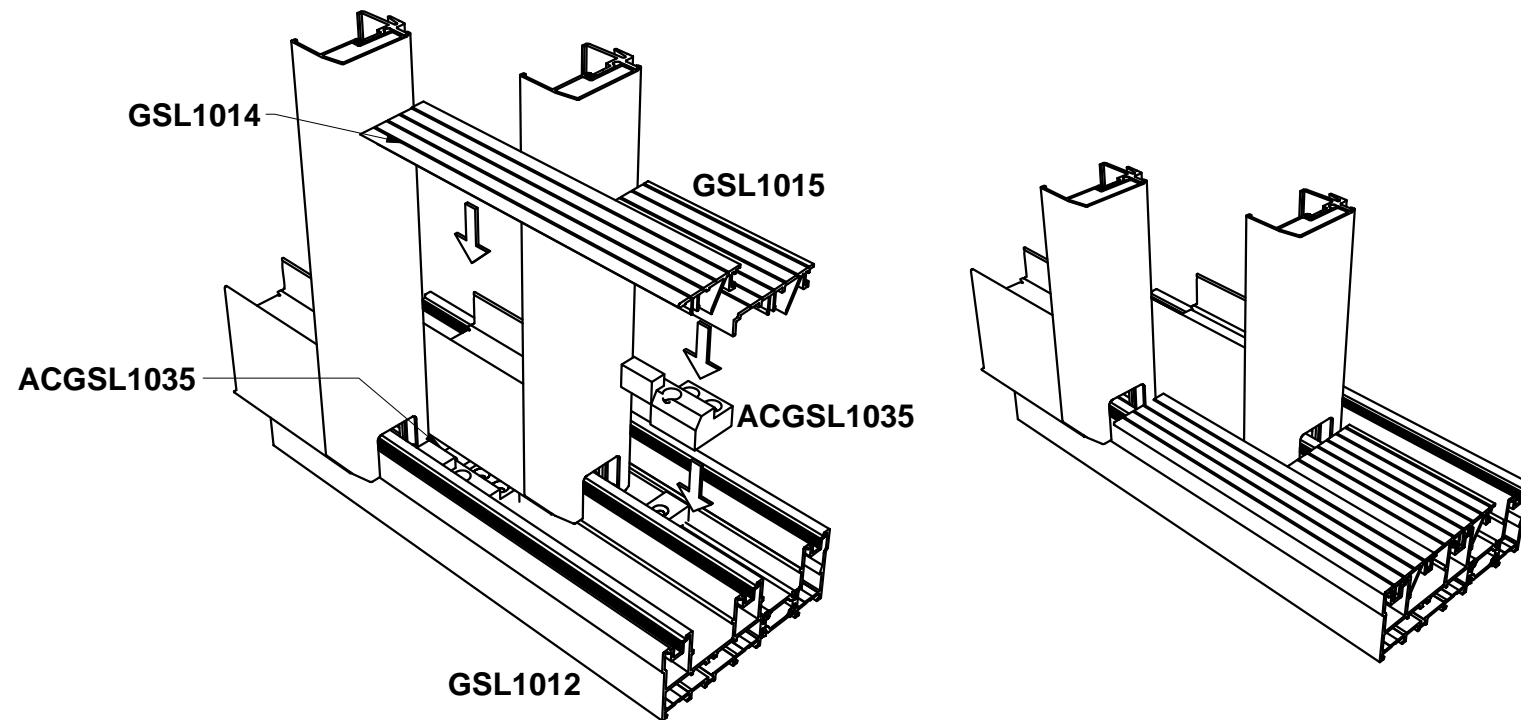
GSL1015
Three Track Cover



New

Image	Part Code	Pack	Unit
	ACGSL1035 Fixed Door Stop Black Only	1	pair
	ACGSL1051 Fixed Door Location Block Black Only	12	pack

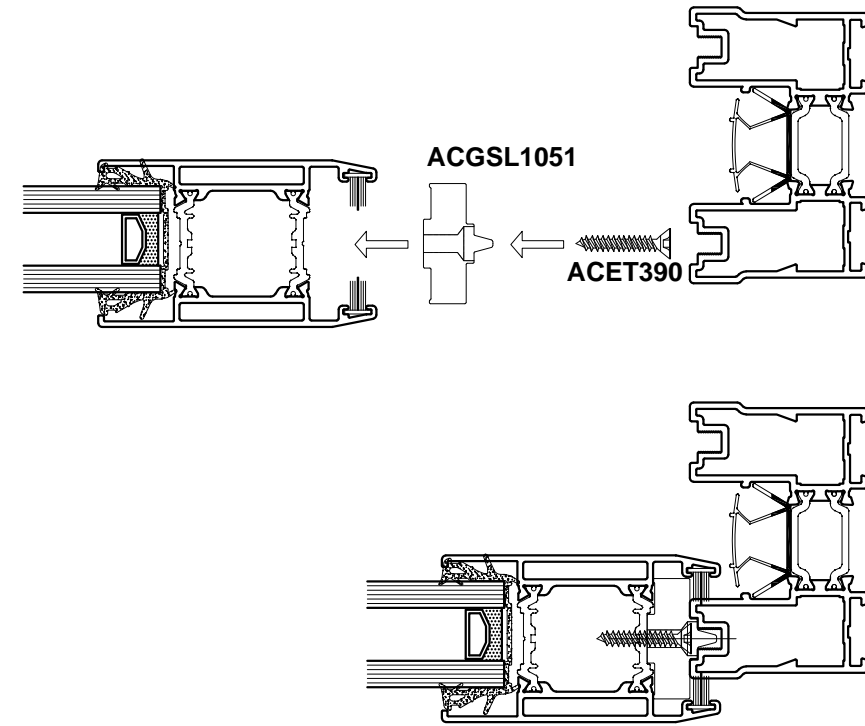
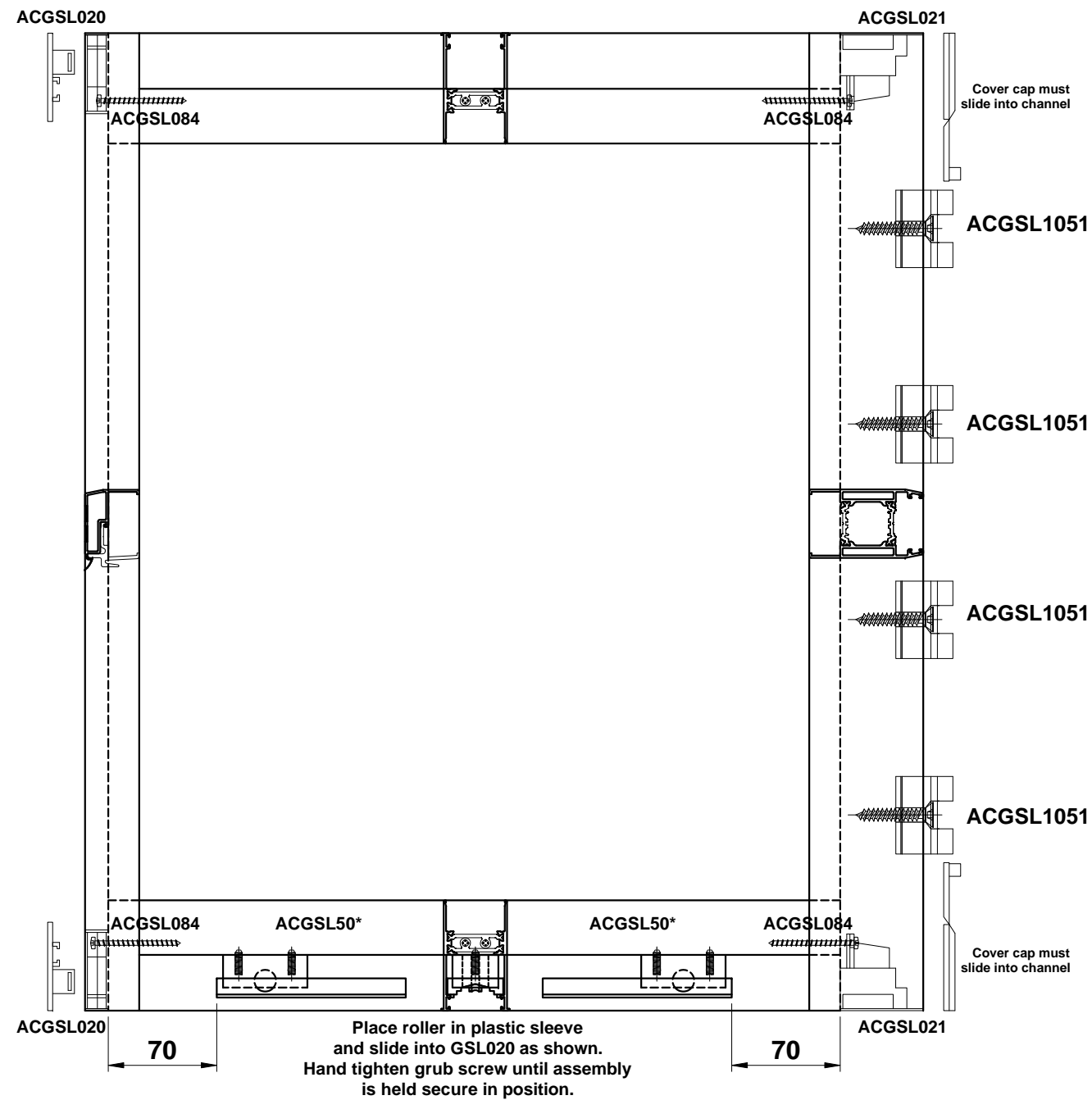
New



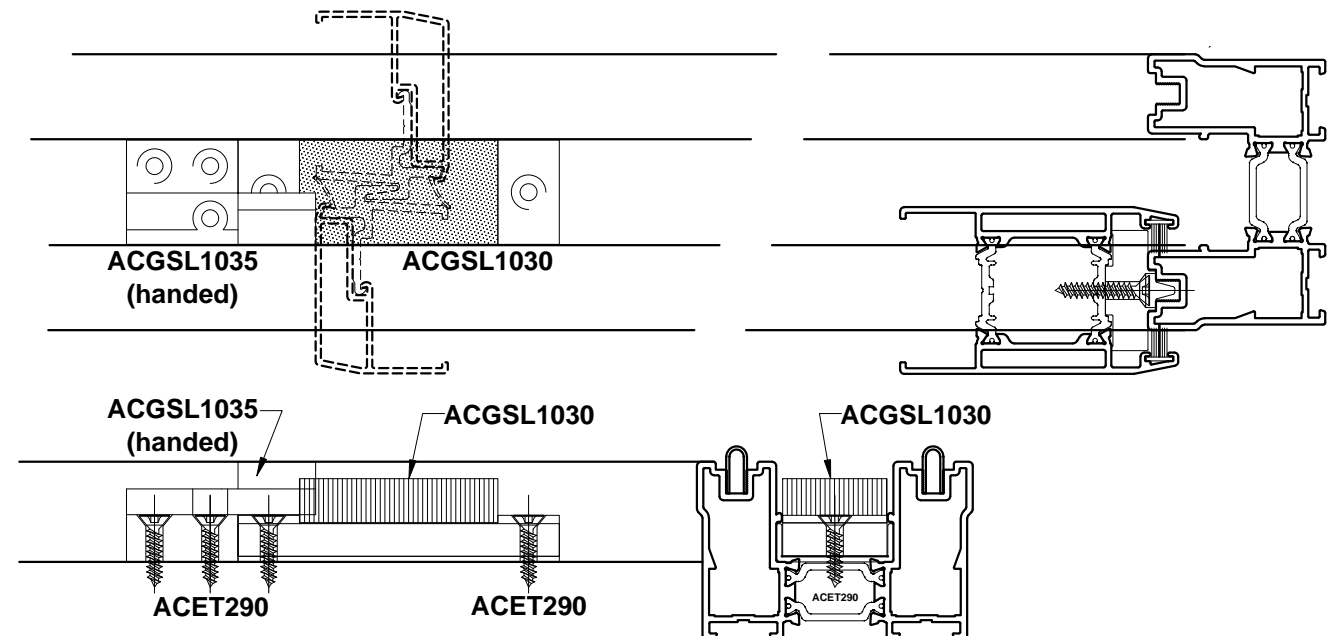
Do Not Scale From This Drawing

Bulletin

Fixed Sash Detail

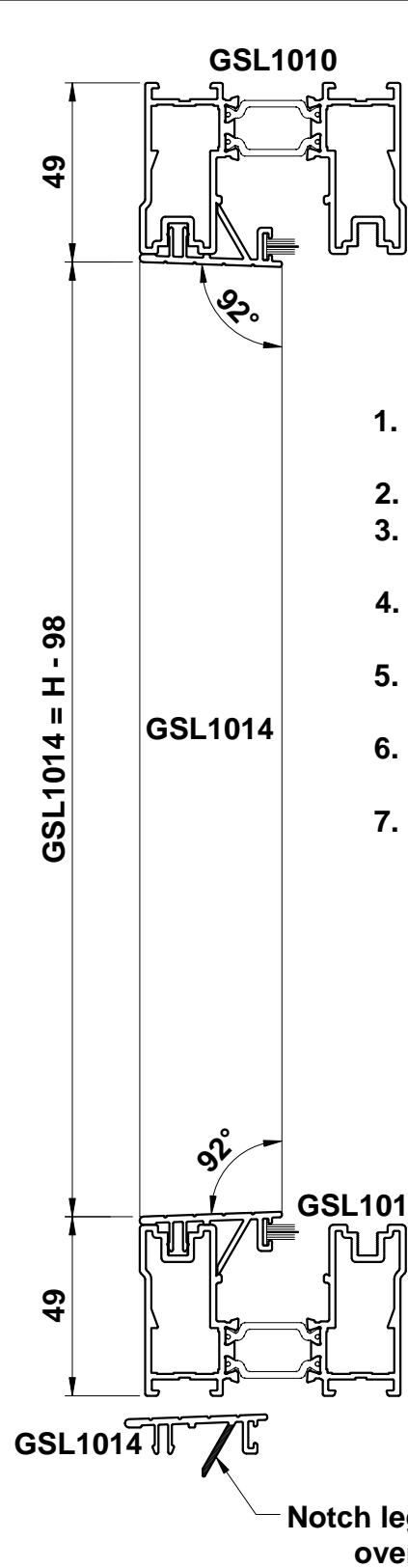


Fix ACGSL1030 in position as shown to head & cill. Slide the fixed sash into position and then fix ACGSL1035 tight against interlock at the head & cill. The sliding sash can now be lifted into the outer frame.

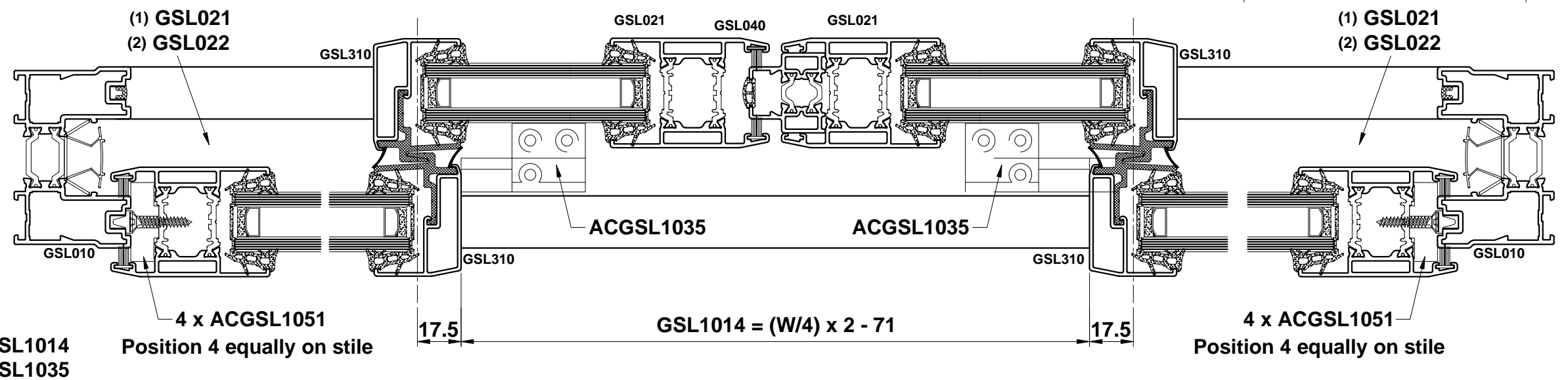
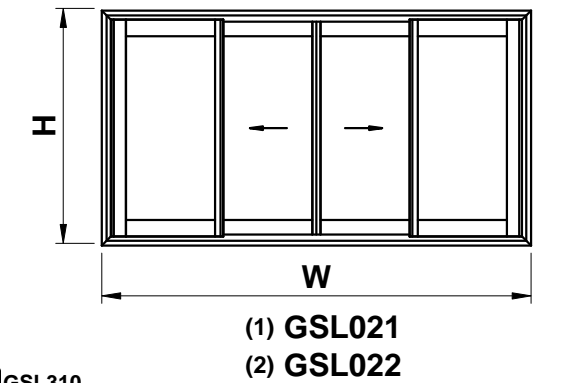
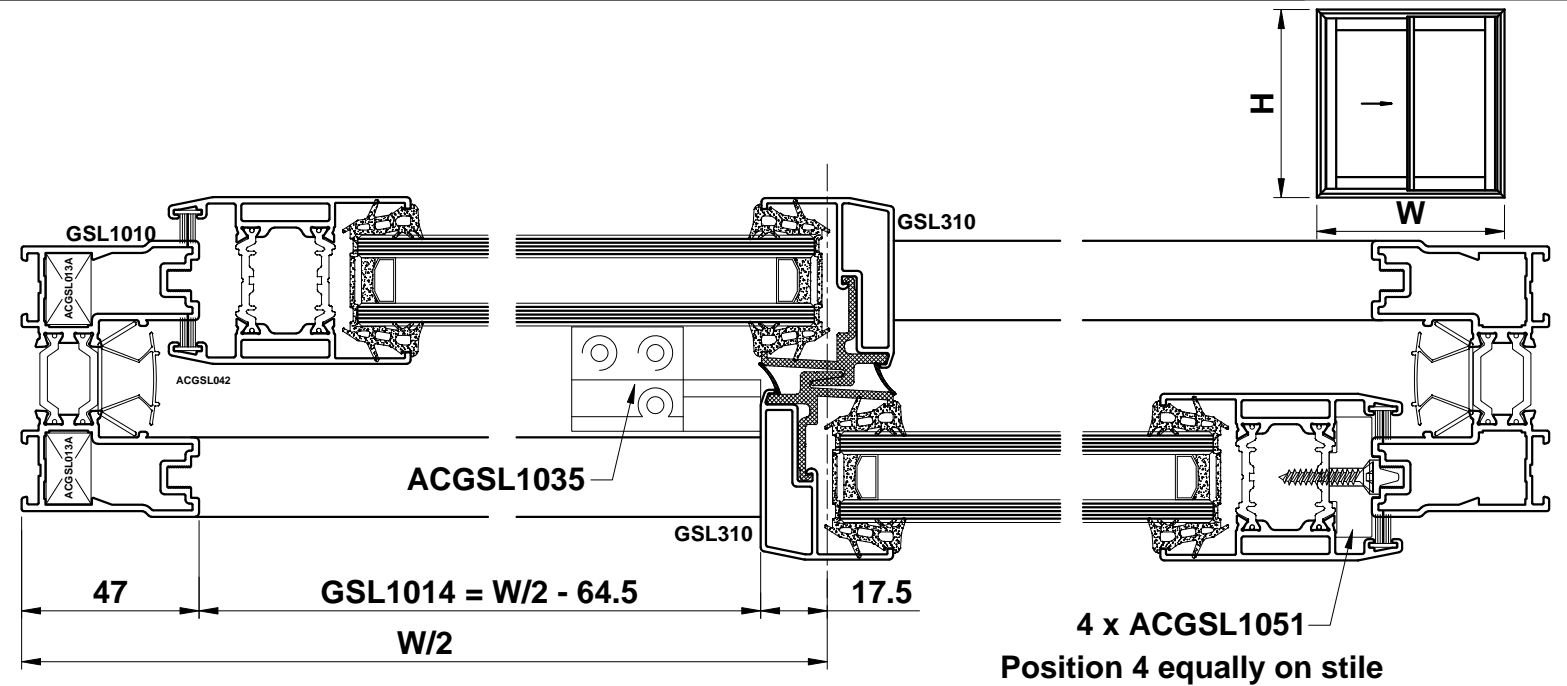


Do Not Scale From This Drawing

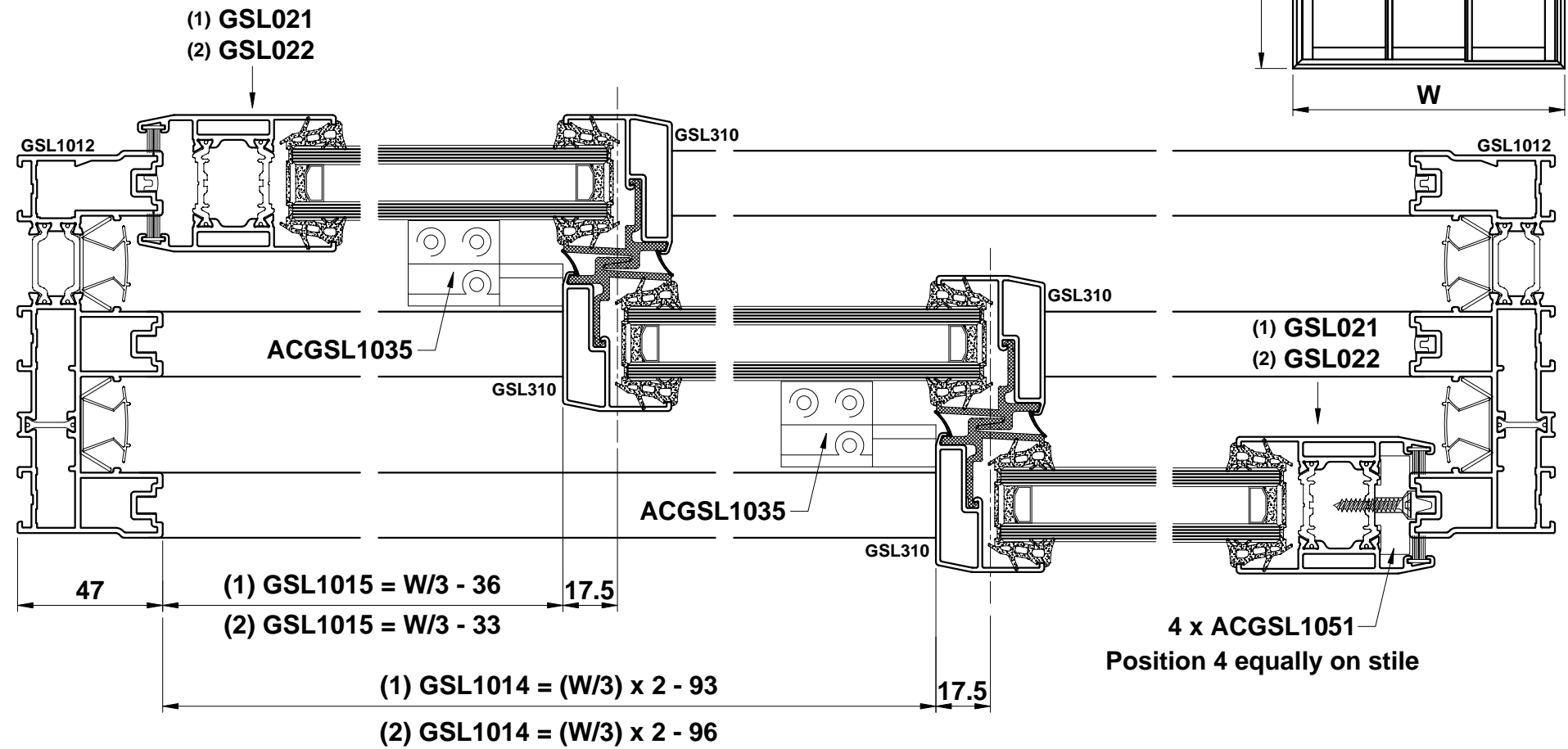
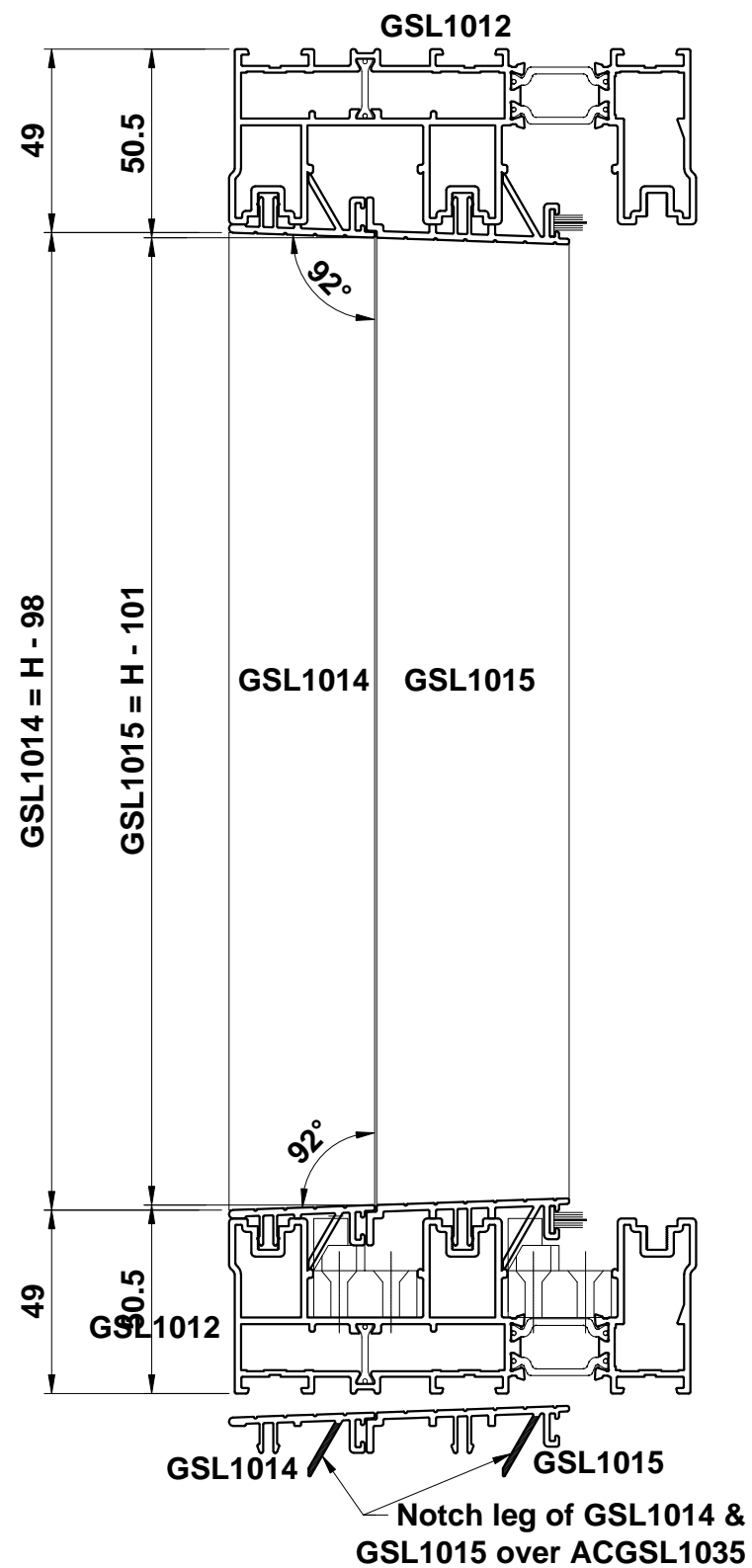
Bulletin



1. Position 4 x ACGSL1051's equally on stile of fixed external sash
2. Slide the external sash(es) into position in outer frame
3. Lift internal sliding sash into the track without the external handle fitted and slide behind the fixed sash
4. Fix ACGSL1030 in position underneath the interlock with ACGSL1035 on top and tight against the fixed sash
5. Cut GSL1014 using deductions shown and notch legs over ACGSL1035
6. Tap GSL1014 into position starting with the head & cill followed by the jamb (2 pane only)
7. Fit external handle to the sliding sash and fit ACVG48 as required to the fixed sash.



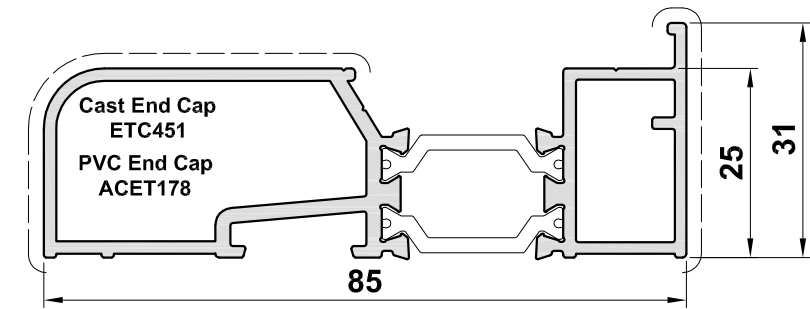
Bulletin



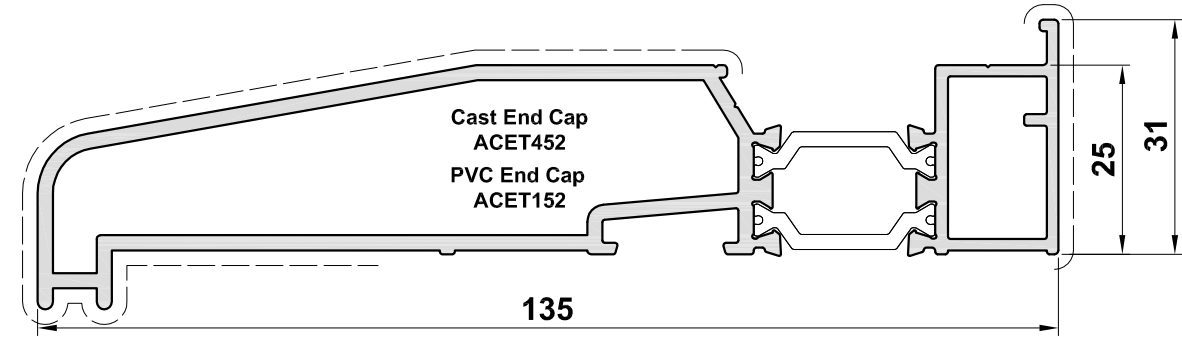
1. Position 4 x ACGSL1051's equally on stile of fixed external sash
2. Slide the external sash into position in outer frame
3. Lift internal sliding sashes into the track without the external handle fitted and slide behind the fixed sash
4. Fix ACGSL1030 in position underneath the interlock with ACGSL1035 on top and tight against the fixed sash. Repeat with the centre sash once in the correct position
5. Cut GSL1014 & GSL1015 using deductions shown and notch legs over ACGSL1035
6. Tap GSL1015 into position starting with the head & cill followed by the jamb & repeat with GSL1014
7. Fit external handle to the sliding sash and fit ACVG48 as required to the fixed sash.

New sub cills designed to allow an improved direct fixing & lug fixing detail. ETC451, 452, 457, 458 & 479 offer the option of black or white PVC end caps, or cast end caps which may be powder coated to match. ETC478 is a new 300mm sub cill for wider profiles with cast end caps.

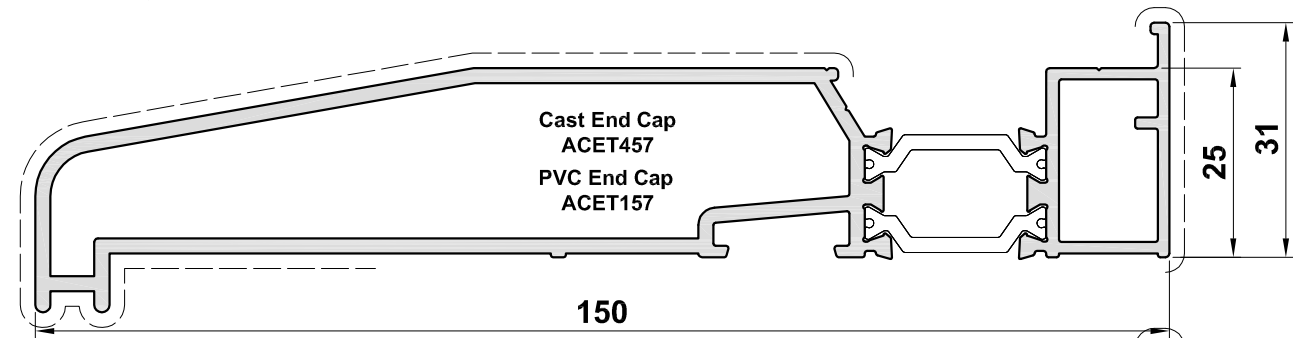
	Number	Perim. mm	Mec. mm	lx(cm4) wx(cm3)	ly(cm4) wy(cm3)	Length	Pack pr.	MF	SA	KL	HP	M
New	ETC451	304	109	32.44 7.29	3.46 2.79	6.5	1	✓	✓	✓	✓	✓
New	ETC452	414	197	122.46 18.03	6.01 3.34	6.5	1	✓	✓	✓	✓	✓
New	ETC457	444	212	163.27 21.60	6.79 3.73	6.5	1	✓	✓	✓	✓	✓
New	ETC458	524	252	313.62 32.63	8.87 4.79	6.5	1	✓	✓	✓	✓	✓
New	ETC479	594	287	501.64 44.04	9.72 5.34	6.5	1	✓	✓	✓	✓	✓
Available Soon	ETC478	736	314	1410.74 87.73	16.30 8.62	5	1	✓	✓	✓	✓	✓



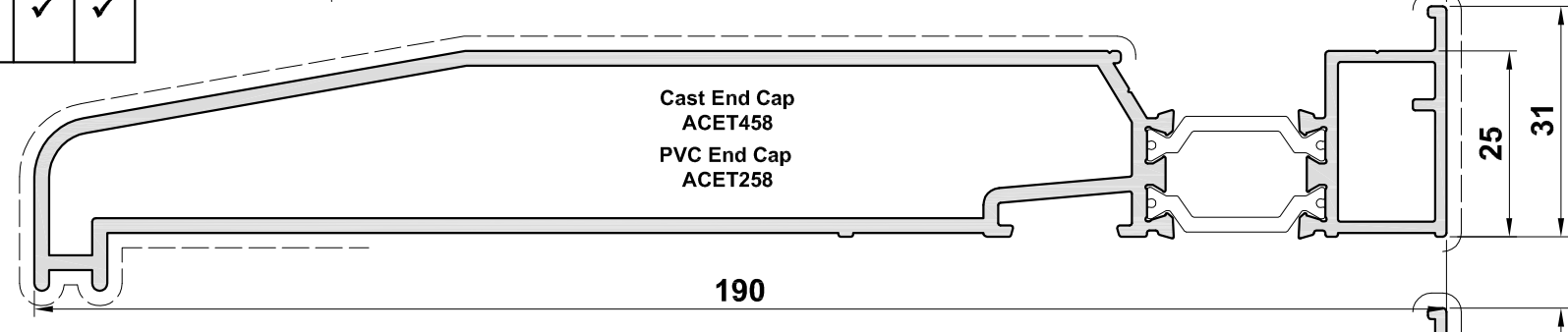
ETC451
85mm Cill



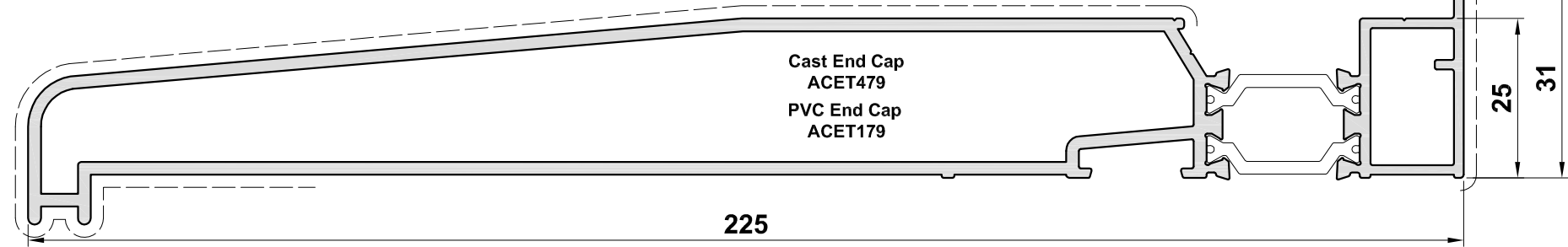
ETC452
135mm Cill



ETC457
150mm Cill



ETC458
190mm Cill



ETC479
225mm Cill

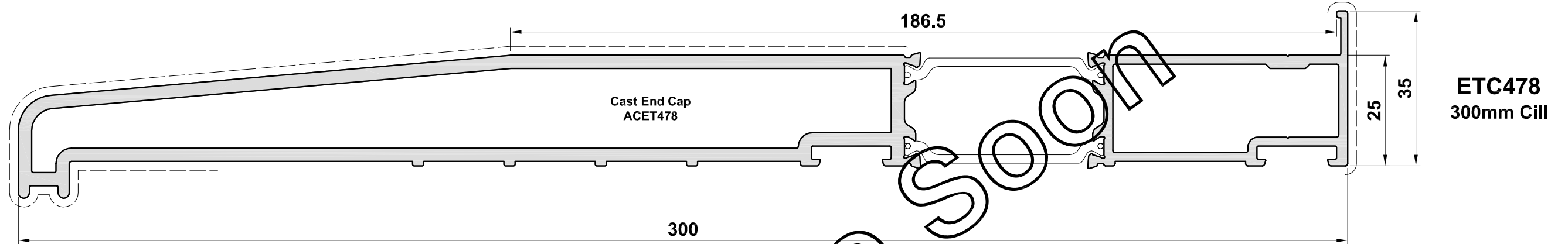
PVC End Caps

Cast End Caps

	ACET152 PVC Cill End Cap	10	pairs	ETC452	MF	
					KL	
					HP	
					W	✓
					Z	✓
	ACET157 PVC Cill End Cap	10	pairs	ETC457	MF	
					KL	
					HP	
					W	✓
					Z	✓
	ACET178 PVC Cill End Cap	10	pairs	ETC451	MF	
					KL	
					HP	
					W	✓
					Z	✓
	ACET179 PVC Cill End Cap	10	pairs	ETC479	MF	
					KL	
					HP	
					W	✓
					Z	✓
	ACET258 PVC Cill End Cap	10	pairs	ETC458	MF	
					KL	
					HP	
					W	✓
					Z	✓

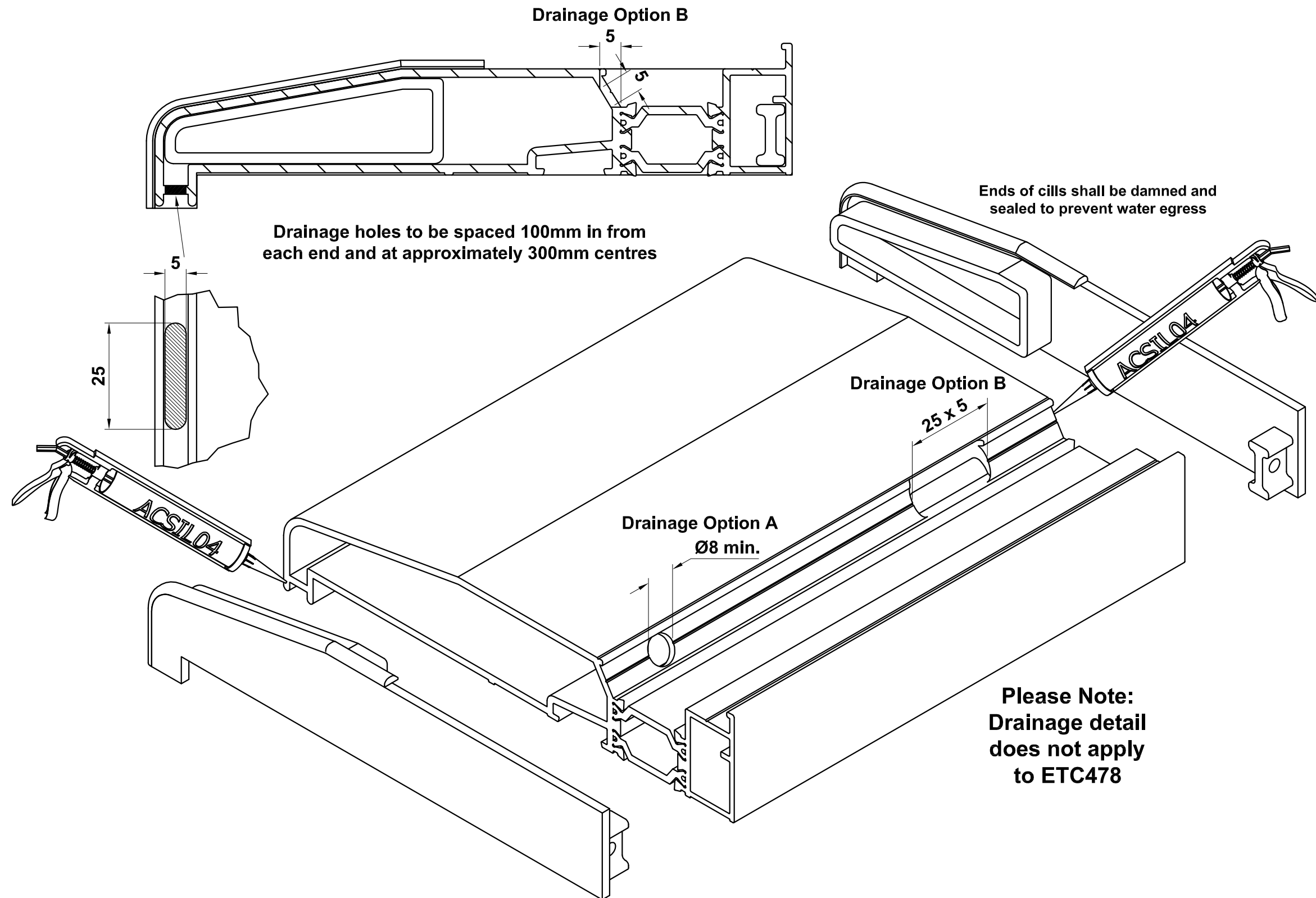
	ACET451 Cast Cill End Caps	1	pair	ETC451	MF	✓
					KL	✓
					HP	✓
					W	✓
					Z	✓
	ACET452 Cast Cill End Caps	1	pair	ETC452	MF	✓
					KL	✓
					HP	✓
					W	✓
					Z	✓
	ACET457 Cast Cill End Caps	1	pair	ETC457	MF	✓
					KL	✓
					HP	✓
					W	✓
					Z	✓
	ACET458 Cast Cill End Caps	1	pair	ETC458	MF	✓
					KL	✓
					HP	✓
					W	✓
					Z	✓
	ACET479 Cast Cill End Caps	1	pair	ETC479	MF	✓
					KL	✓
					HP	✓
					W	✓
					Z	✓

Note: ETC478 is not designed for concealed drainage

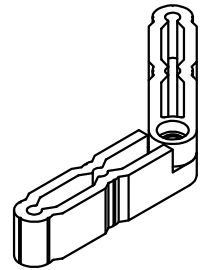


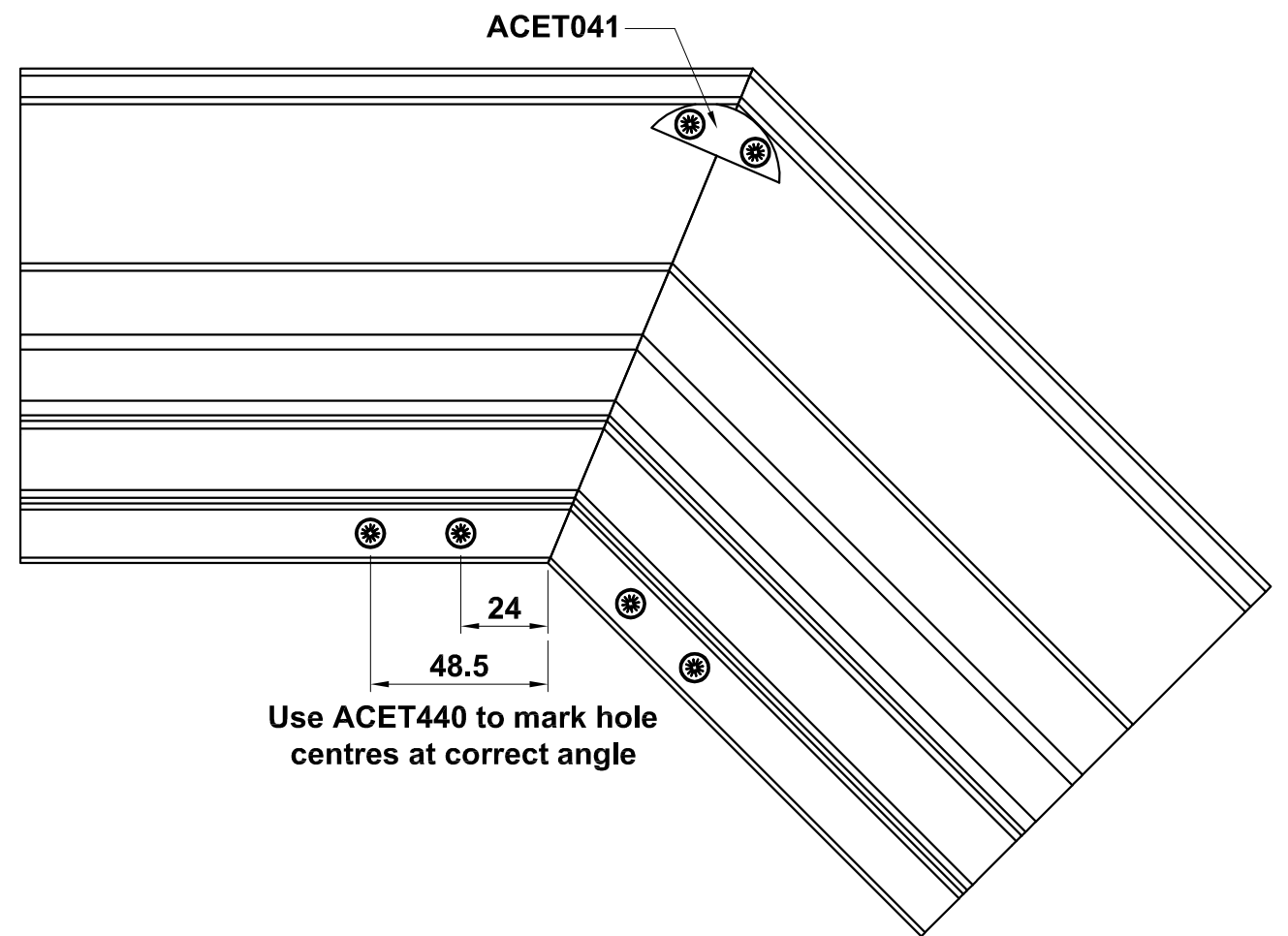
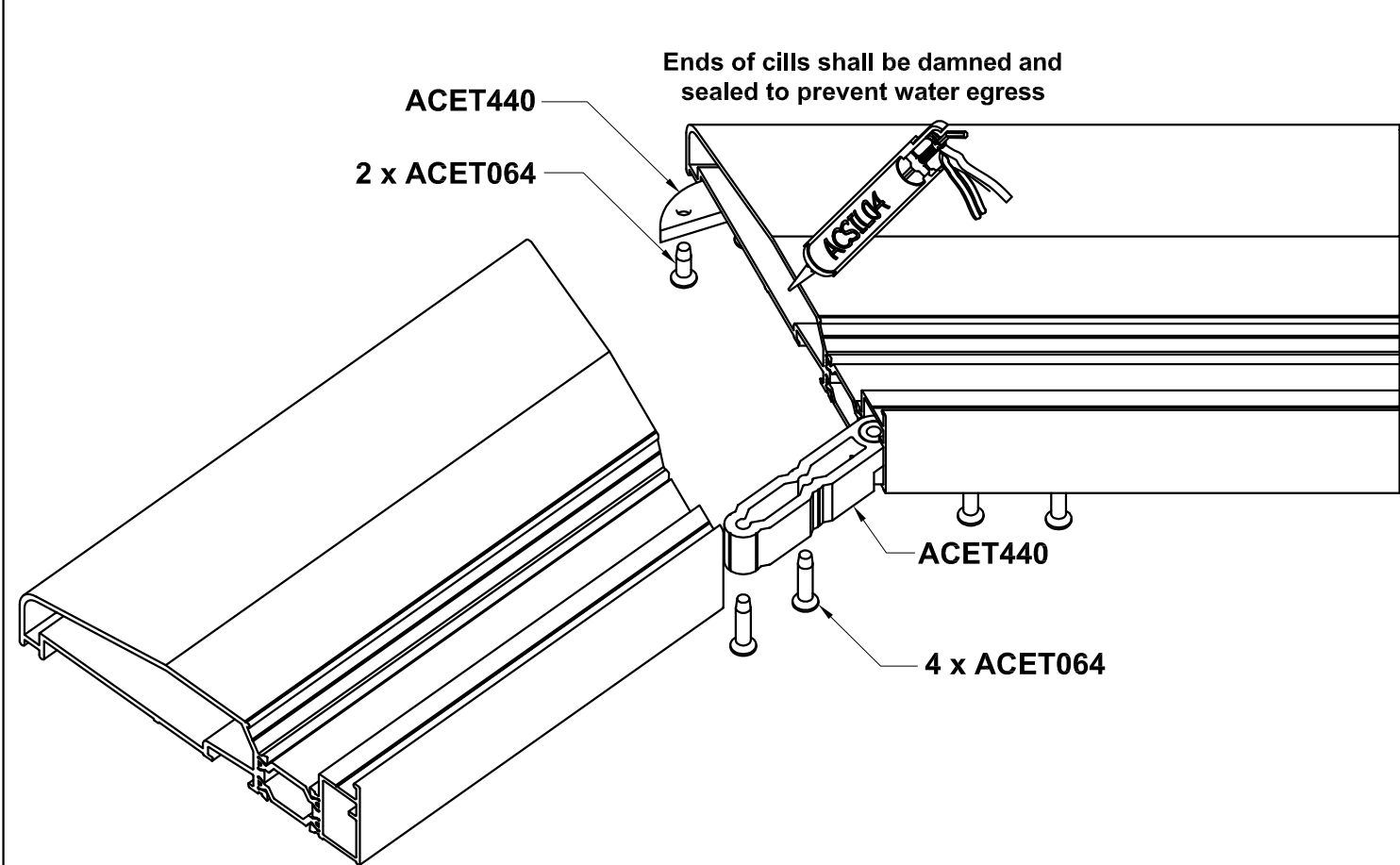
	ACET478	1	pair	ETC478	MF	✓
	Cast Cill End Cap				KL	✓
					HP	✓
					W	✓
					Z	✓

Available Soon

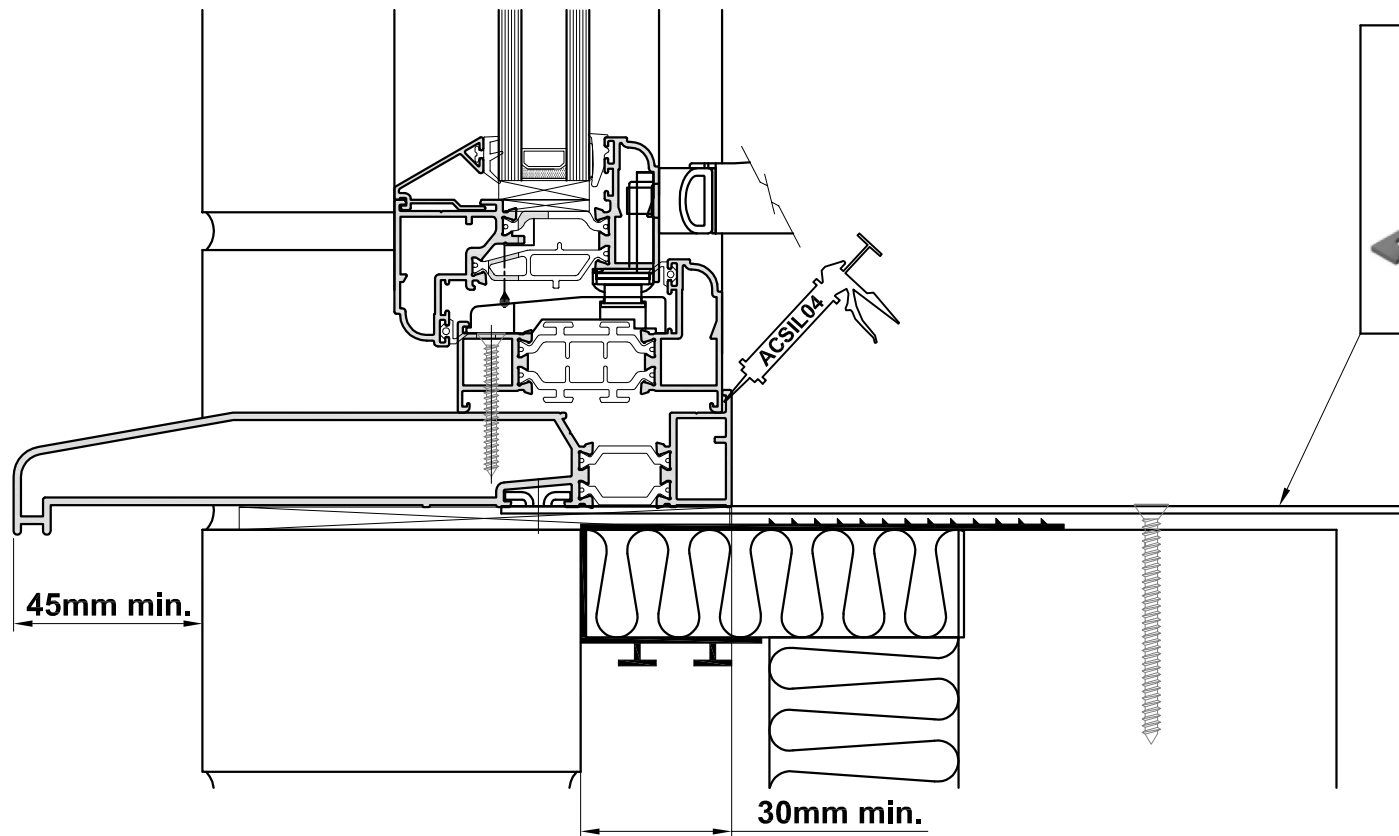



Please Note:
Drainage detail
does not apply
to ETC478

	ACET440	10	pack	ETC451 ETC452 ETC457 ETC458 ETC479	MF	✓
	90°-180° Variable angle bracket				KL	
					HP	
					W	
					Z	



Example Lug Fixing Detail



	ACUN23X	100	Pack	ETC451	MF	✓
	Screw Fixing Lug			ETC452	KL	
	ACUN230: B = 160MM			ETC457	HP	
	ACUN232: B = 240MM			ETC458	W	
	ACUN233: B = 280MM			ETC478	Z	
				ETC479		

Example Direct Fixing Detail

